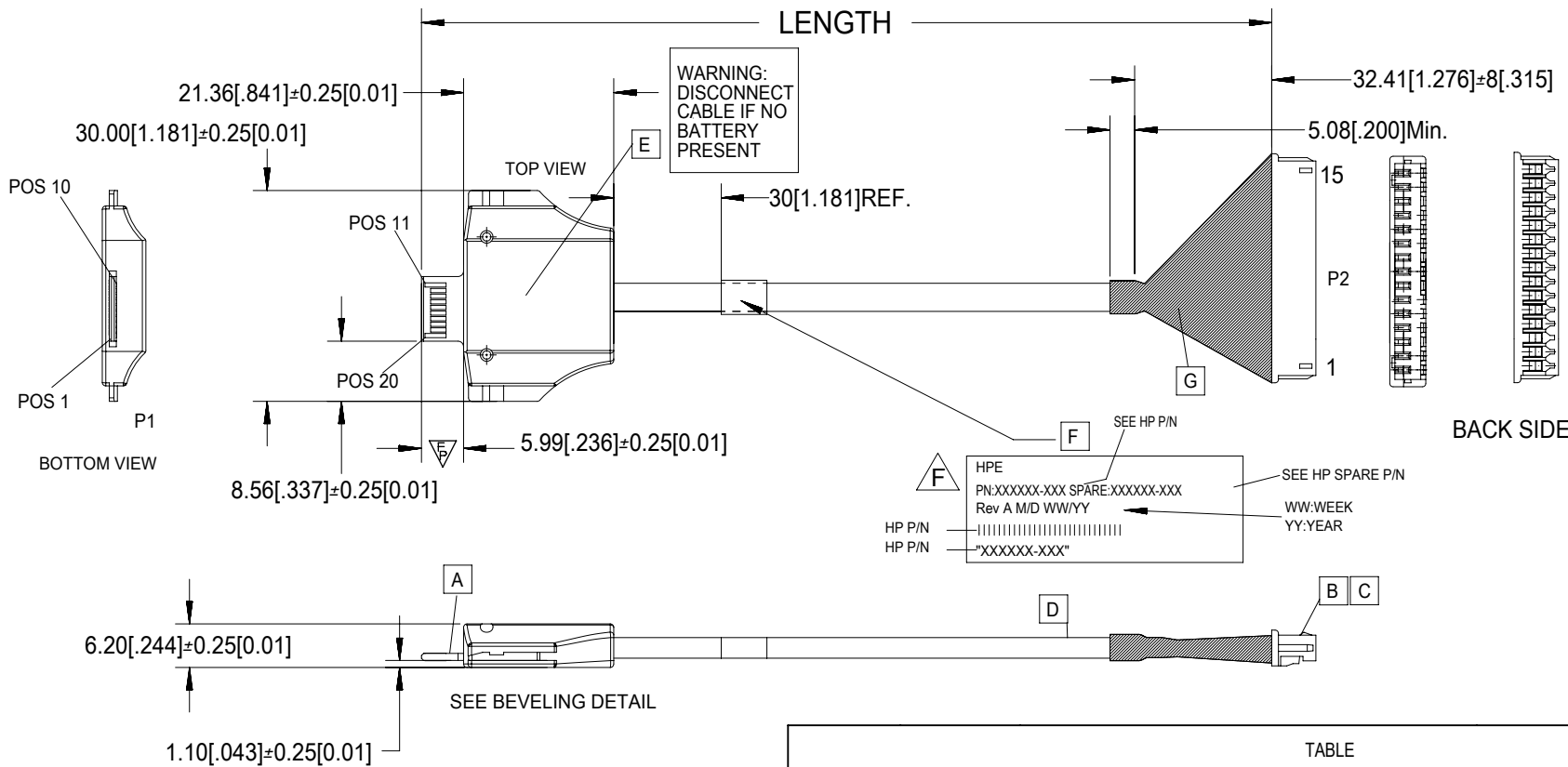
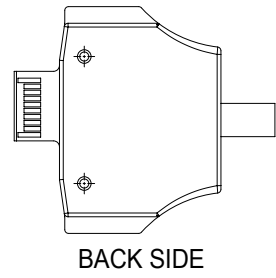


REVISIONS				
ECN NO	DATE	REV	DESCRIPTION	CHANGER
CY15-6653	2015/05/05	E	CHANGE PCB FROM 172002567 TO 172008808	WEND
CY18-6183	2018/09/28	F	CHANGE LABEL CONTENT	LUCY



F HPE
 PN:XXXXXX-XXX SPARE:XXXXXX-XXX
 Rev A M/D WW/YY
 HP P/N
 HP P/N
 "XXXXXX-XXX"
 SEE HP P/N
 SEE HP SPARE P/N
 WW:WEEK
 YY:YEAR



HP P/N PRODUCTION	SPARE HP P/N	DESCRIPTION	LENGTH (mm/inch)	MX P/N	MX SPARE P/N (FRU PART)
458943-001	488136-001	CABLE ASSEMBLY,SFP BATTERY,15POS,28AWG,12"	304.8[12]±8[.315]	796331001	796331002
458943-002	488137-001	CABLE ASSEMBLY,SFP BATTERY,15POS,28AWG,14"	355.6[14]±8[.315]	796331003	796331004
458943-003	488138-001	CABLE ASSEMBLY,SFP BATTERY,15POS,28AWG,24"	609.6[24]±8[.315]	796331005	796331006

THIS DRAWING CONTAINS INFORMATION THAT IS PROPRIETARY TO MOLEX ELECTRONIC TECHNOLOGIES, LLC AND SHOULD NOT BE USED WITHOUT WRITTEN PERMISSION					
SYMBOLS DIMENSION UNITS: mm SCALE: 1:1 GENERAL TOLERANCES (UNLESS SPECIFIED) ANGULAR TOL ± ° 4 PLACES ± 3 PLACES ± 2 PLACES ± 1 PLACE ± 0 PLACES ± DRAFT WHERE APPLICABLE MUST REMAIN WITHIN DIMENSIONS		CURRENT REV DESC: EC NO: 605388 DRWN: ZZXIAN 2018/09/14 CHK'D: LHUIU 2018/10/04 APPR: LHUIU 2018/10/04 INITIAL REVISION: DRWN: ZZXIAN 2018/09/14 APPR: LHUIU 2018/10/04			
PRODUCT CUSTOMER DRAWING DOCUMENT NUMBER: 2012343948 DOC TYPE: PSD DOC PART: 000 REVISION: F			MATERIAL NUMBER: SEE TABLE CUSTOMER: GENERAL MARKET SHEET NUMBER: 1 OF 2		

D

D

WIRING CHART

P1	P2	COLOR	SIGNAL
1	1	BLACK	12V-WIRE A
5	5	BROWN	HOST_INSTALL#
6	7	RED	BATEN#
7	9	ORANGE	RESET#
8	11	YELLOW	SDA
9	13	GREEN	SCL
10	14	BLUE	GND-wireA
20	2	VIOLET	12V-wireB
17	4	GRAY	BATT_INSTALL#
16	6	WHITE	VMEM
15	8	PINK	PRIM_IIC_ADR
14	10	LIGHT GREEN	PICINT#
13	12	BLACK/WHITE	VAUX
11	15	RED/WHITE	GND-wireB

- NOTES:
1. SPARE PARTS WILL BE PACKAGED IN BOX (DETAIL REFER TO PACKAGE DWG)
 2. INNER MOLD WITH PE
OUTER MOLD WITH PP
 3. THIS PRODUCT MUST MEET THE HP RoHS CHEMICAL SUBSTANCES SPECIFICATION FOR PRODUCTS (A-5951-1745-1).

C

C

ITEM	DESCRIPTION	QTY
G	TAPE,ACETATE,30mm WIDE (FOXCONN#081-0030-689 OR EQUIVALENT)	A/R
F	Blank label 38X35X19mm (white)	1PC
E	YELLOW LABEL WITH WARNING WORD	1PC
D	CABLE 16 COND, 28AWG, UNSHLD, JCKTD BLK	SEE TABLE
C	1.25W+B GRIMP REC TEM CHN	14PC
B	15CKT RECEPTACLE HOUSING	1PC
A	PCB HPC172002567 2L 17.8*19 Hard gold+GF	1PC


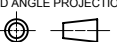


B

B

A

A

SYMBOLS										THIS DRAWING CONTAINS INFORMATION THAT IS PROPRIETARY TO MOLEX ELECTRONIC TECHNOLOGIES, LLC AND SHOULD NOT BE USED WITHOUT WRITTEN PERMISSION															
DIMENSION UNITS		SCALE		CURRENT REV DESC:										 CABLE ASSY SFP BATTERY 15P 28 AWG											
mm		1:1		EC NO: 605388 DRWN: ZZXIAN 2018/09/14 CHK'D: LHLIU 2018/10/04 APPR: LHLIU 2018/10/04																					
GENERAL TOLERANCES (UNLESS SPECIFIED)				INITIAL REVISION:										DOCUMENT NUMBER			DOC TYPE		DOC PART	REVISION					
ANGULAR TOL ± °				DRWN: ZZXIAN 2018/09/14 APPR: LHLIU 2018/10/04										2012343948			PSD		000	F					
4 PLACES ±				DRAFT WHERE APPLICABLE MUST REMAIN WITHIN DIMENSIONS										THIRD ANGLE PROJECTION		DRAWING		SERIES		MATERIAL NUMBER		CUSTOMER		SHEET NUMBER	
3 PLACES ±														A-SIZE		201234		SEE TABLE		GENERAL MARKET		2 OF 2			
2 PLACES ±																									
1 PLACE ±																									
0 PLACES ±																									
▽ = 0																									
▽ = 0																									
▽ = 0																									
▽ = 0																									
▽ = 0																									
▽ = 0																									

FORMAT: master-db-prod-A
REVISION: H
DATE: 2018/01/18