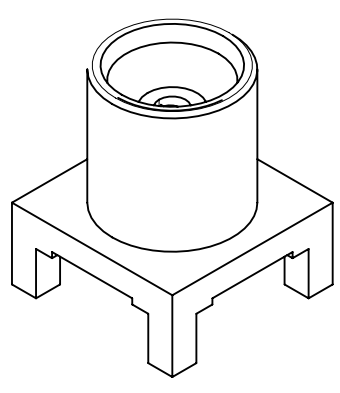
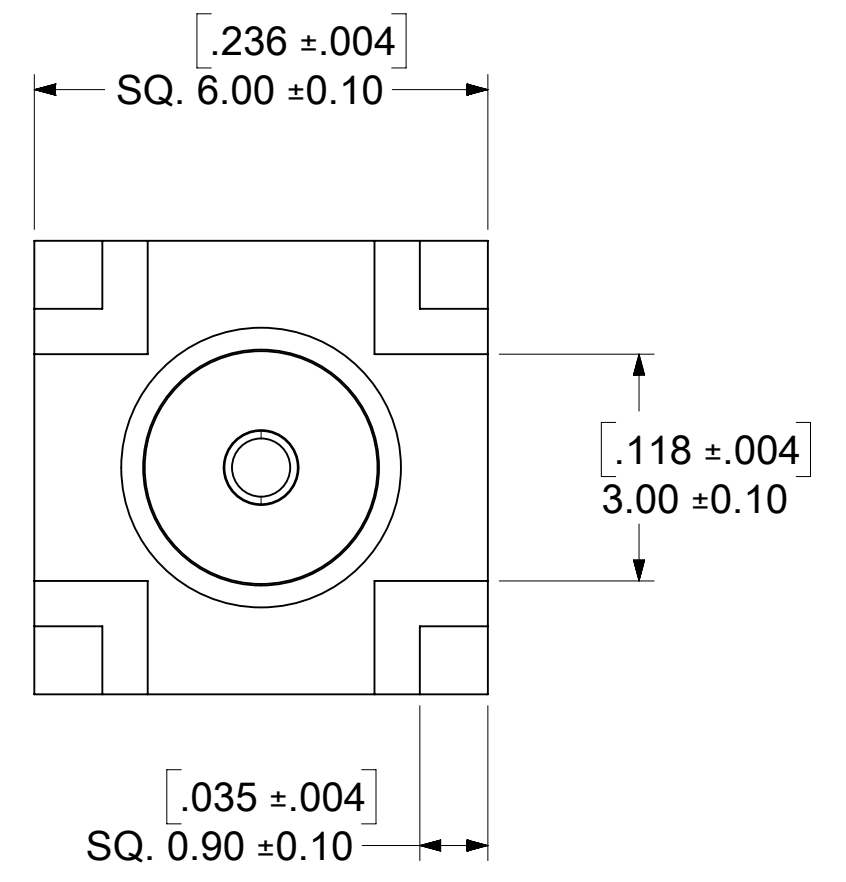
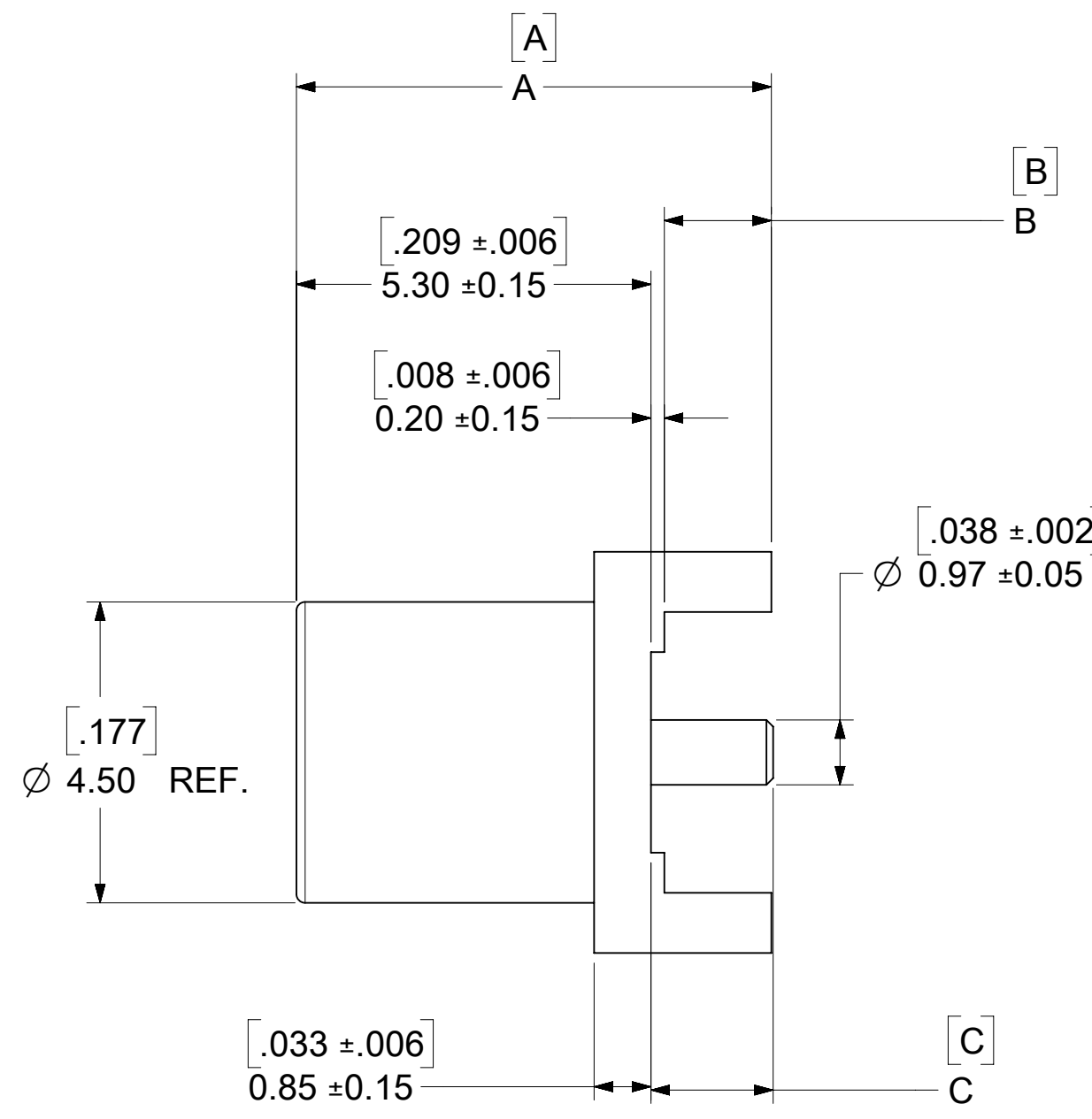
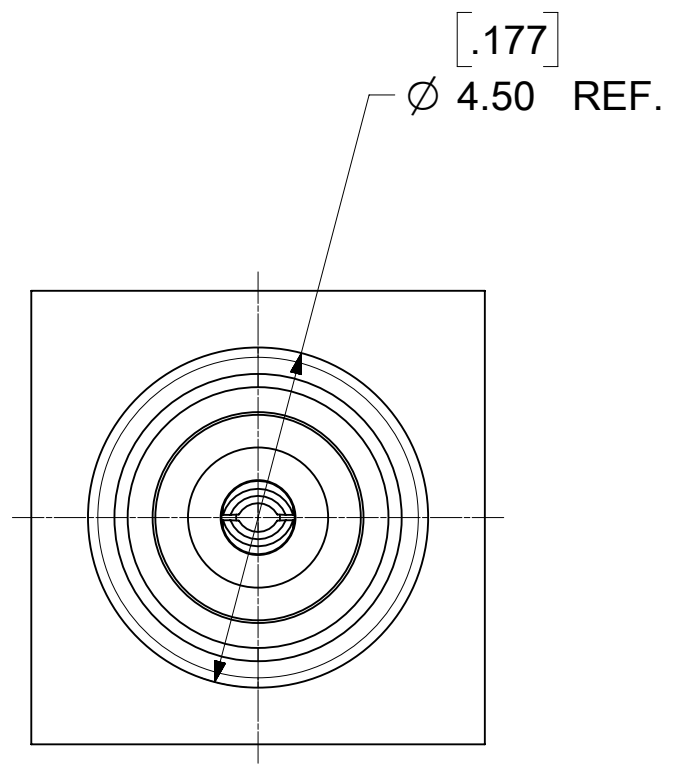


MATERIALS AND FINISHES:

CONTACT: BERYLLIUM COPPER
 PLATED GOLD 30u" MIN. OVER NICKEL 50u" MIN.
 (73366-6190/6191 PLATING SEE TABLE)

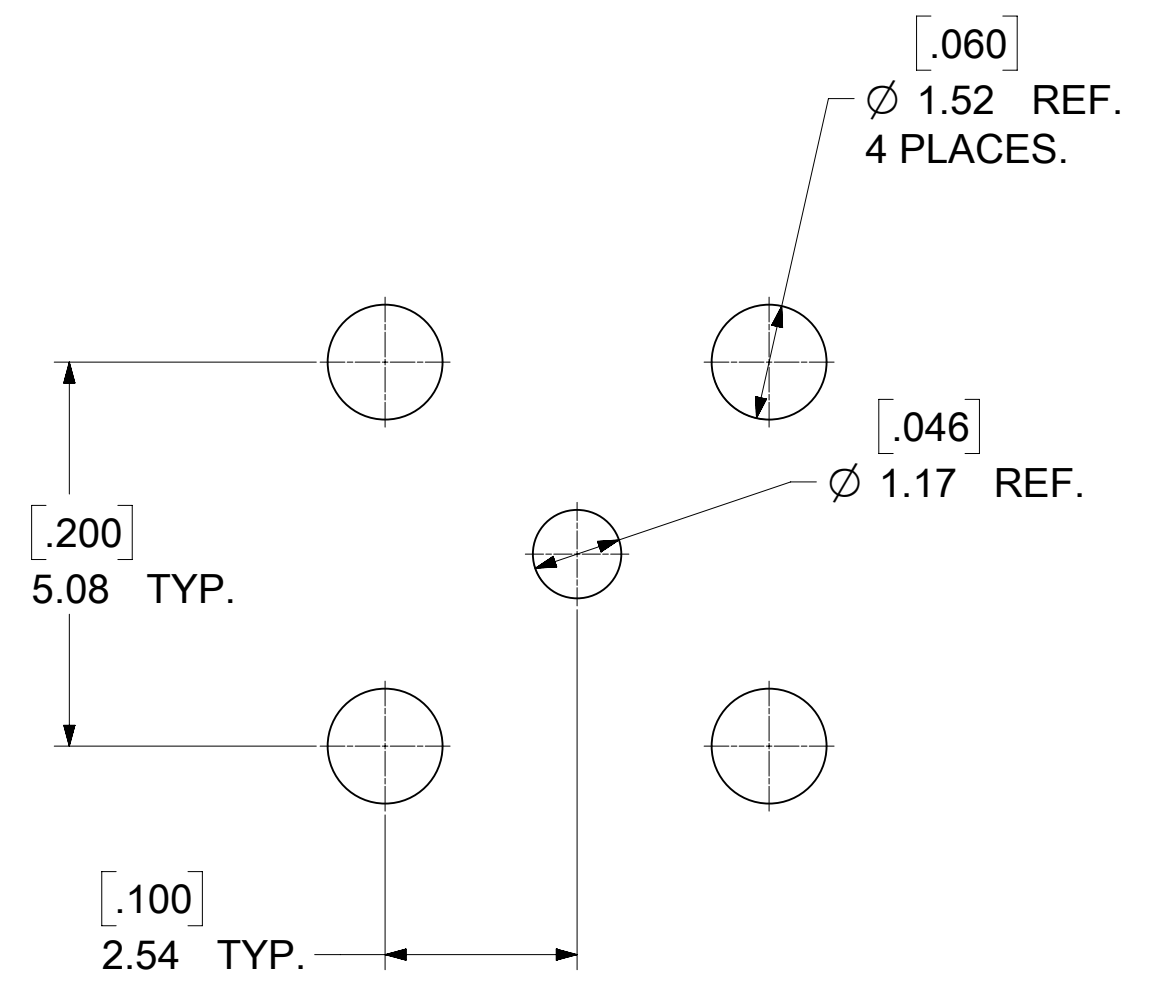
INSULATOR: TEFLON

BODY: BRASS
 PLATED SEE TABLE



SEE SD-73366-619 FOR CONTINUATION OF TABULATION

73366-6192	.280±.006	7.10±0.15	.062±.006	1.58±0.15	.073±.006	1.86±0.15	GOLD 1u" MIN.	CONTACT GOLD 1u" MIN. ; TAPE & REEL
73366-6191	.280±.006	7.10±0.15	.062±.006	1.58±0.15	.073±.006	1.86±0.15	GOLD 1u" MIN.	73366-0061 TAPE & REEL
73366-6190	.579±.006	14.70±0.30	.062±.006	1.58±0.15	.071 REF	1.81 REF	GOLD 1u" MIN.	CONTACT GOLD 10u" MIN. ; TRAY
73366-0069	.280±.006	7.10±0.15	.062±.006	1.57±0.15	.073±.006	1.86±0.15	GOLD 1u" MIN.	1 PC 73366-0061 PER BAG
73366-0068	.280±.006	7.10±0.15	.062±.006	1.57±0.15	.073±.006	1.86±0.15	NICKEL 70u" MIN.	73366-0060 SMALL TRAY
73366-0067	.280±.006	7.10±0.15	.062±.006	1.57±0.15	.073±.006	1.86±0.15	NICKEL 70u" MIN.	1 PC 73366-0060 PER BAG
73366-0066	.236±.006	5.99±0.15	.019±.006	0.50±0.15	.031±.006	0.80±0.15	GOLD 1u" MIN.	73366-0065 TAPE & REEL
73366-0065	.236±.006	5.99±0.15	.019±.006	0.50±0.15	.031±.006	0.80±0.15	GOLD 1u" MIN.	TRAY
73366-0064	.236±.006	5.99±0.15	.019±.006	0.50±0.15	.031±.006	0.80±0.15	NICKEL 70u" MIN.	73366-0063 TAPE & REEL
73366-0063	.236±.006	5.99±0.15	.019±.006	0.50±0.15	.031±.006	0.80±0.15	NICKEL 70u" MIN.	TRAY
73366-0062	.280±.006	7.10±0.15	.062±.006	1.57±0.15	.073±.006	1.86±0.15	NICKEL 70u" MIN.	73366-0060 TAPE & REEL
73366-0061	.280±.006	7.10±0.15	.062±.006	1.57±0.15	.073±.006	1.86±0.15	GOLD 1u" MIN.	TRAY
73366-0060	.280±.006	7.10±0.15	.062±.006	1.57±0.15	.073±.006	1.86±0.15	NICKEL 70u" MIN.	TRAY
PART NO.	IN	MM	IN	MM	IN	MM	PLATING	CONTACT PLATING & PACKAGE
DIM (X)	DIM A		DIM B		DIM C		BODY	

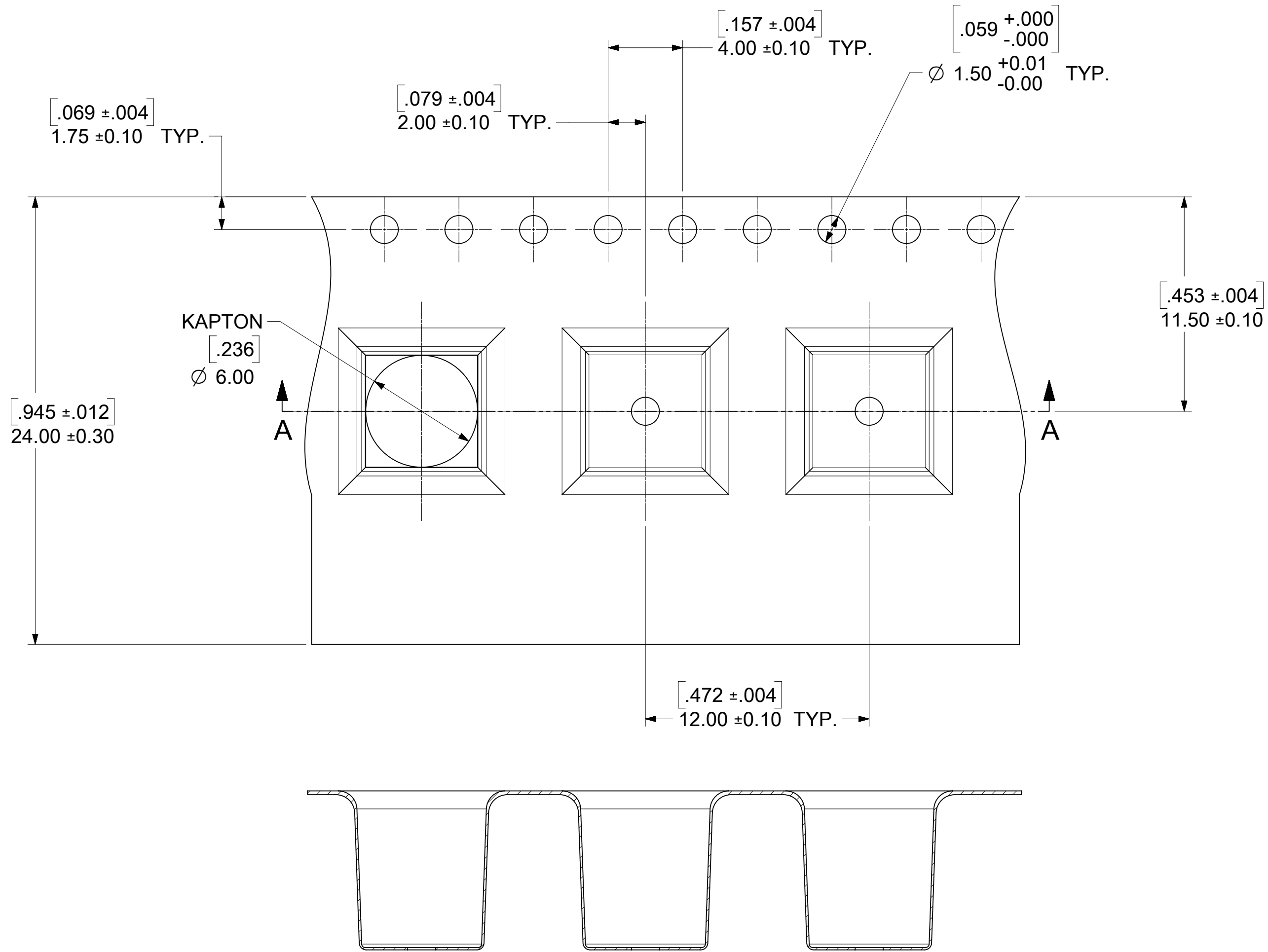


SUGGESTED PCB LAYOUT

PS-73598-0132	ELECTRO /MECH PERFORM.
SPECIFICATION	DESCRIPTION

FUNCTIONAL SYMBOLS $\nabla_A = 0$ $\nabla_C = 0$ $\nabla_P = 0$	THIS DRAWING CONTAINS INFORMATION THAT IS PROPRIETARY TO MOLEX ELECTRONIC TECHNOLOGIES, LLC AND SHOULD NOT BE USED WITHOUT WRITTEN PERMISSION	SCALE MM/INCH NTS	CURRENT REV DESC: EWR # 15425-A ADDED TRAY PACKING DRAWING					
	GENERAL TOLERANCES (UNLESS SPECIFIED) ANGULAR TOL ± 2.0°	EC NO: 720553 DRWN: JSU18 CHK'D: YCHENG APPR: YCHENG	2022/09/07 2022/09/13 2022/09/13		MCX JACK VERT PCB TH 50 OHMS MCX-J/PCB EWR-3263			
DIVISIONAL SYMBOLS 4 PLACES ± 3 PLACES ± 2 PLACES ± 1 PLACE ± 0 PLACES ±	DRAFT WHERE APPLICABLE MUST REMAIN WITHIN DIMENSIONS	THIRD ANGLE PROJECTION 	DRAWING C-SIZE	SERIES 73366	PRODUCT CUSTOMER DRAWING DOCUMENT NUMBER SD-73366-006	DOC TYPE PSD	DOC PART 001	REVISION C3
DOCUMENT STATUS P1	RELEASE DATE 2022/09/13 09:16:28	MATERIAL NUMBER SEE TABLE	CUSTOMER GENERAL MARKET	SHEET NUMBER 1 OF 5				

NOTE:
 1. TAPE AND REEL PACKAGE
 2. 10 PITCHES CUMULATIVE TOLERANCE ±0.20(.008)



FUNCTIONAL SYMBOLS	THIS DRAWING CONTAINS INFORMATION THAT IS PROPRIETARY TO MOLEX ELECTRONIC TECHNOLOGIES, LLC AND SHOULD NOT BE USED WITHOUT WRITTEN PERMISSION									
	DIMENSION UNITS	SCALE	CURRENT REV DESC:							
$\frac{F}{A} = 0$	MM/INCH	NTS	EWR # 15425-A ADDED TRAY PACKING DRAWING							
$\frac{E}{C} = 0$	GENERAL TOLERANCES (UNLESS SPECIFIED)		EC NO: 720553							
$\frac{E}{P} = 0$	ANGULAR TOL ± 2.0°		DRWN: JSU18 2022/09/07							
DIVISIONAL SYMBOLS	4 PLACES ±		CHK'D: YCHENG 2022/09/13							
	3 PLACES ±		APPR: YCHENG 2022/09/13							
	2 PLACES ±		INITIAL REVISION:							
	1 PLACE ±		DRWN: JTSAO 2006/04/20							
0 PLACES ±			APPR: MISEN 2001/03/01							
DRAFT WHERE APPLICABLE MUST REMAIN WITHIN DIMENSIONS		THIRD ANGLE PROJECTION	DRAWING	SERIES	MATERIAL NUMBER	CUSTOMER	SHEET NUMBER			
			C-SIZE	73366	SEE TABLE	GENERAL MARKET	2 OF 5			

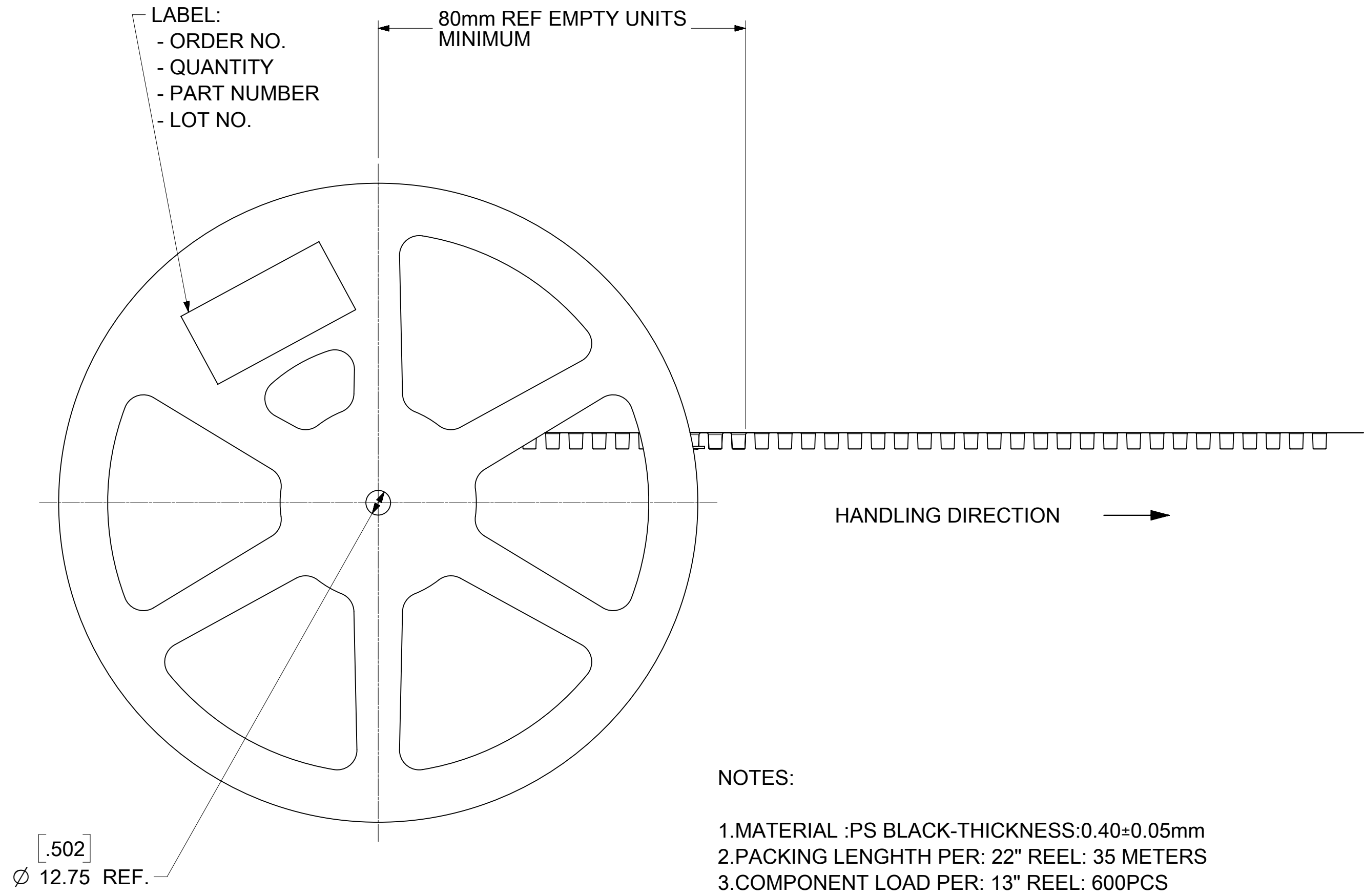
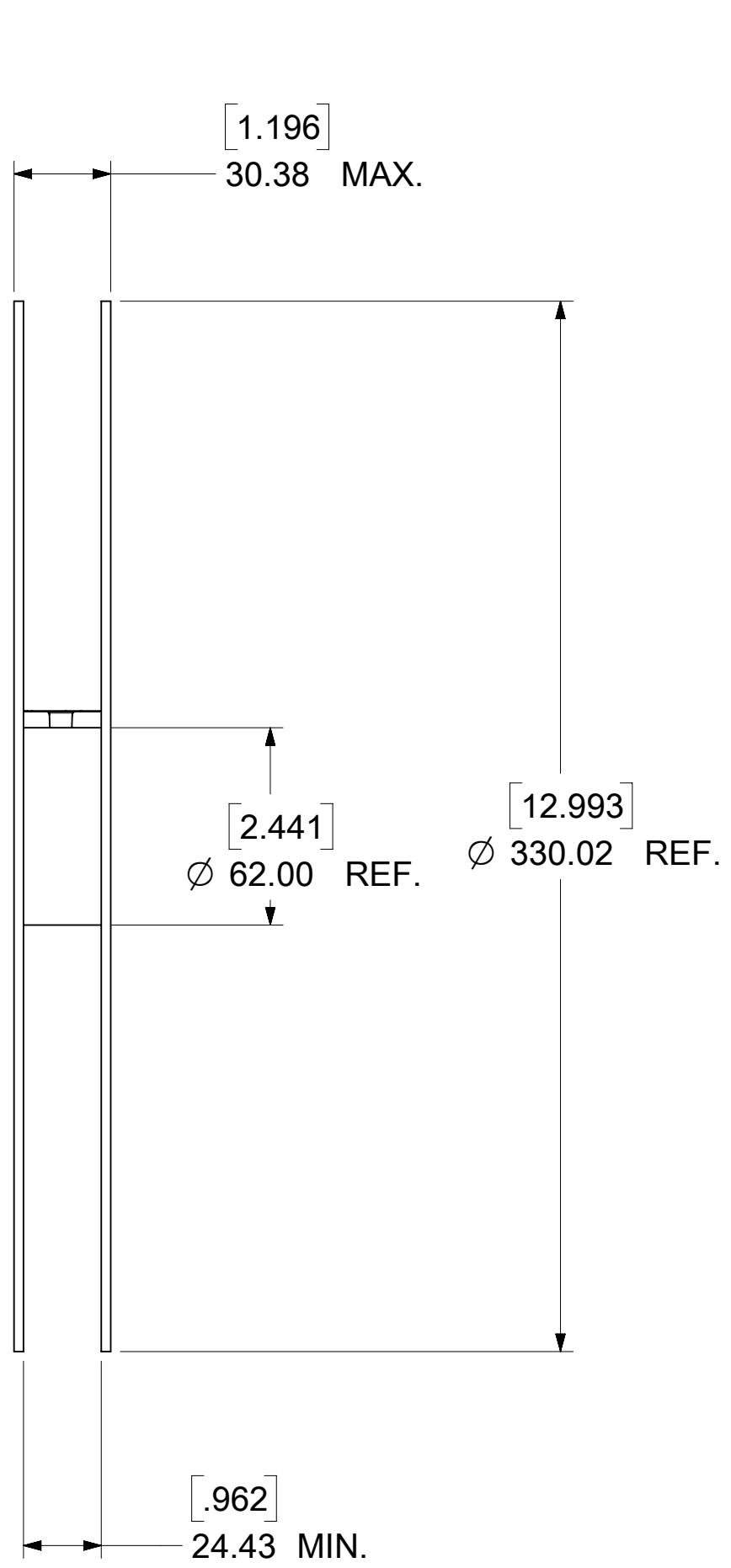
molex

MCX JACK VERT PCB TH
 50 OHMS MCX-J/PCB EWR-3263

PRODUCT CUSTOMER DRAWING

SD-73366-006

PSD 001 C3

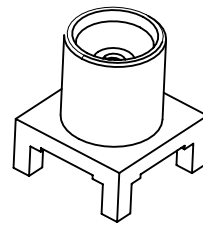


- NOTES:
- 1.MATERIAL :PS BLACK-THICKNESS:0.40±0.05mm
 - 2.PACKING LENGTH PER: 22" REEL: 35 METERS
 - 3.COMPONENT LOAD PER: 13" REEL: 600PCS

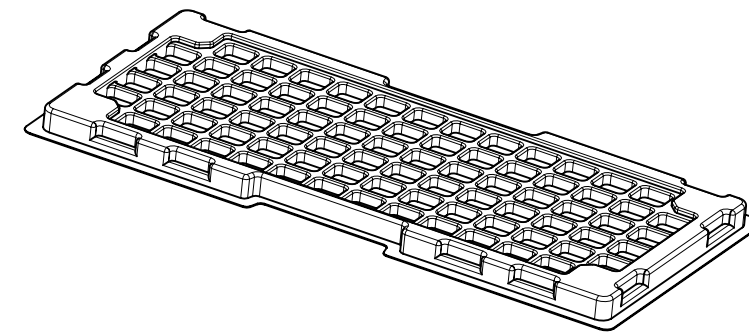
PACKING SPECIFICATION:

-----	QUANTITY	SIZE	REMARK
1 EMBOSSED TAPE	600/3000	PER SHEET 2	PER ONE 13" REEL
1 REEL	5/3000	PER SHEET 3	-----
2 INNER CARTON BOX	1/3000	336X336X182 (MM)	1 BOX = 5 REEL = 3000EA
3 OUTER CARTON BOX	1/3000	385X367X206 (MM)	-----

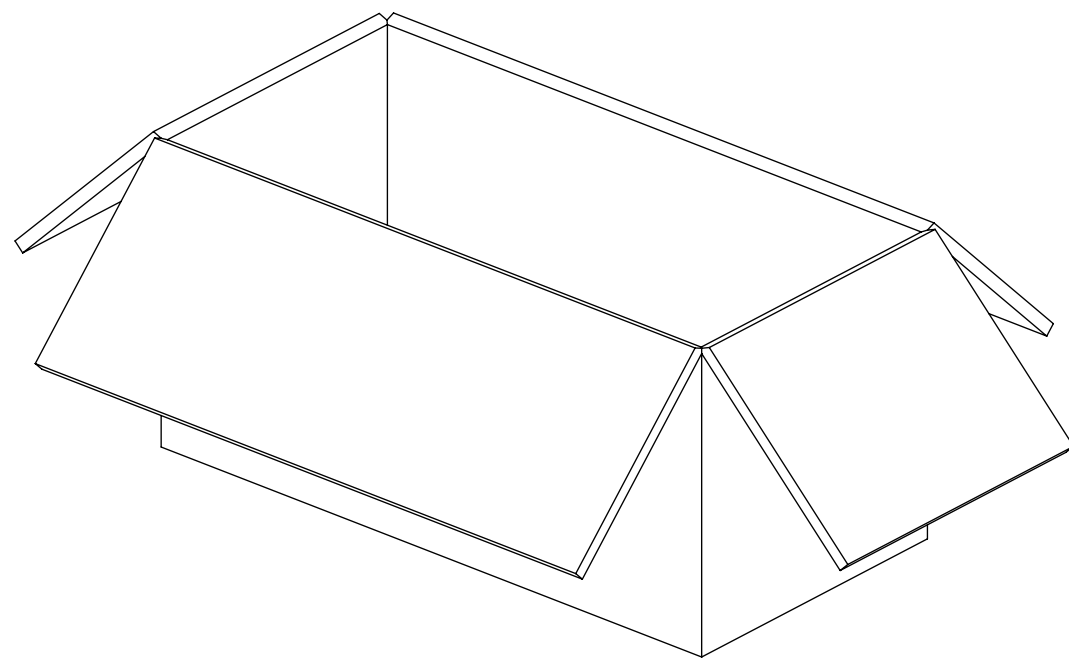
FUNCTIONAL SYMBOLS	THIS DRAWING CONTAINS INFORMATION THAT IS PROPRIETARY TO MOLEX ELECTRONIC TECHNOLOGIES, LLC AND SHOULD NOT BE USED WITHOUT WRITTEN PERMISSION												
FA = 0	DIMENSION UNITS	SCALE	CURRENT REV DESC:							molex			
EA = 0	MM/INCH	NTS	EWR # 15425-A ADDED TRAY PACKING DRAWING										
EP = 0	GENERAL TOLERANCES (UNLESS SPECIFIED)		EC NO: 720553							MCX JACK VERT PCB TH 50 OHMS MCX-J/PCB EWR-3263			
DIVISIONAL SYMBOLS	ANGULAR TOL ± 2.0°		4 PLACES ±				2022/09/07		PRODUCT CUSTOMER DRAWING				
	3 PLACES ±		2 PLACES ±				2022/09/13		DOCUMENT NUMBER				
	2 PLACES ±		1 PLACE ±				2022/09/13		SD-73366-006				
	1 PLACE ±		0 PLACES ±				INITIAL REVISION:		DOC TYPE DOC PART REVISION				
DRAFT WHERE APPLICABLE MUST REMAIN WITHIN DIMENSIONS		THIRD ANGLE PROJECTION		DRAWING		SERIES		MATERIAL NUMBER		CUSTOMER		SHEET NUMBER	
		C-SIZE		73366		SEE TABLE		GENERAL MARKET		3 OF 5			



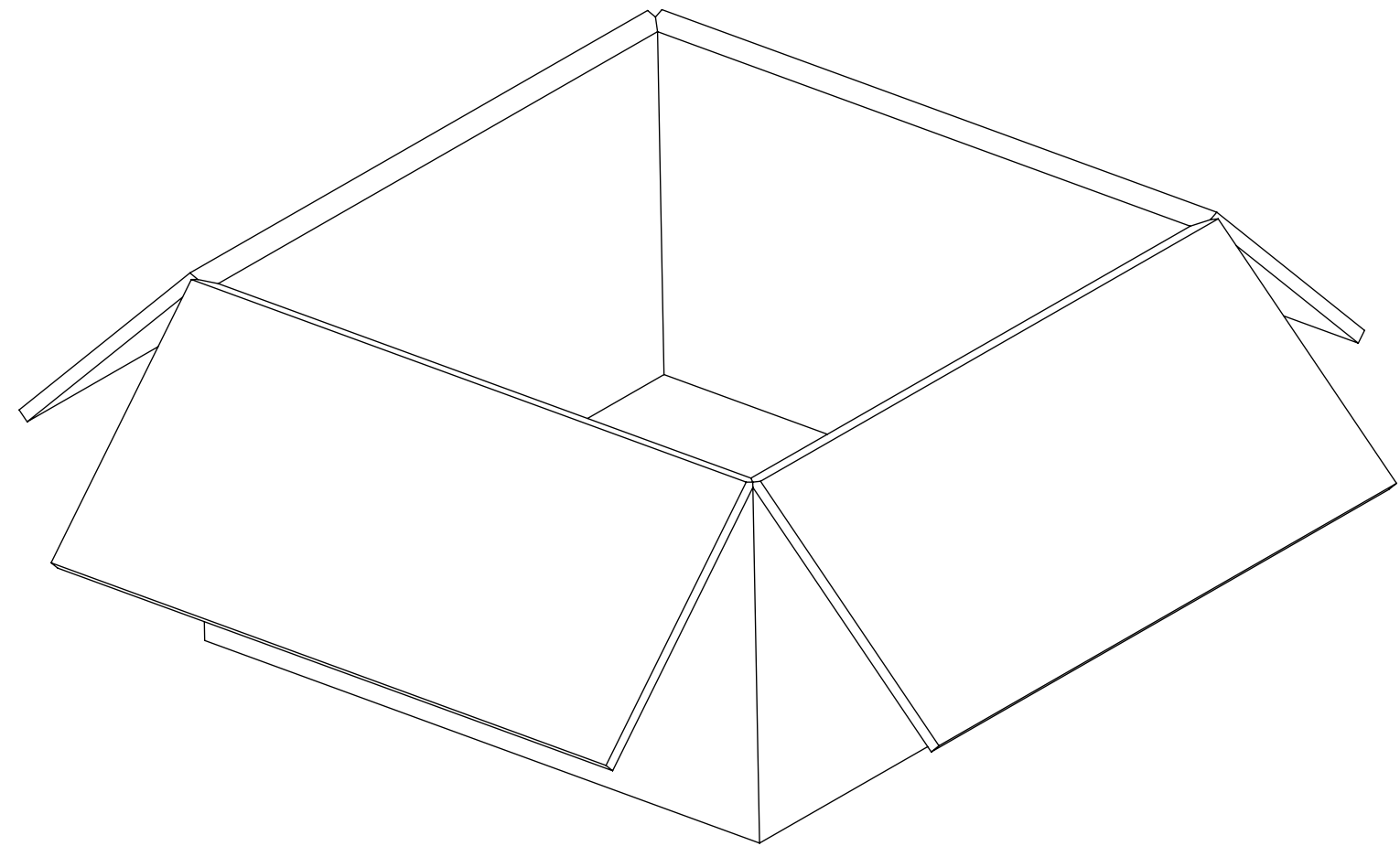
PART NO : 73366-0060
 PART NO : 73366-0061
 PART NO : 73366-0063
 PART NO : 73366-0065
 PART NO : 73366-6190



80 SET PER TRAY
 P/N: 89707-0190



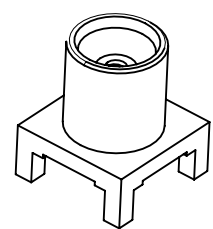
1600 SET PER INNER CARTON BOX
 P/N: 96707-0001
 L371mm X W184mm X D192mm



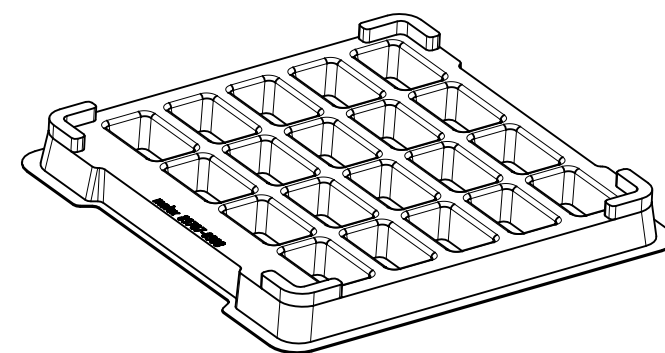
3200 SET PER OUTER CARTON BOX
 P/N: 96708-0005
 L394mm X W391mm X D212mm

FUNCTIONAL SYMBOLS	THIS DRAWING CONTAINS INFORMATION THAT IS PROPRIETARY TO MOLEX ELECTRONIC TECHNOLOGIES, LLC AND SHOULD NOT BE USED WITHOUT WRITTEN PERMISSION										
	DIMENSION UNITS	SCALE	CURRENT REV DESC:								
$\frac{F}{A} = 0$	MM/INCH	NTS	EWR # 15425-A ADDED TRAY PACKING DRAWING								
$\frac{E}{C} = 0$	GENERAL TOLERANCES (UNLESS SPECIFIED)		EC NO: 720553							MCX JACK VERT PCB TH 50 OHMS MCX-J/PCB EWR-3263	
$\frac{E}{P} = 0$	ANGULAR TOL $\pm 2.0^\circ$		DRWN: JSU18 2022/09/07							PRODUCT CUSTOMER DRAWING	
DIVISIONAL SYMBOLS	4 PLACES \pm		CHK'D: YCHENG 2022/09/13							DOCUMENT NUMBER	
	3 PLACES \pm		APPR: YCHENG 2022/09/13							DOC TYPE	
	2 PLACES \pm		INITIAL REVISION:							DOC PART	
	1 PLACE \pm		DRWN: JTSAO 2006/04/20							REVISION	
0 PLACES \pm		APPR: MISEN 2001/03/01							SD-73366-006		
DRAFT WHERE APPLICABLE MUST REMAIN WITHIN DIMENSIONS		THIRD ANGLE PROJECTION		DRAWING		SERIES		MATERIAL NUMBER		CUSTOMER	
				C-SIZE		73366		GENERAL MARKET		SHEET NUMBER	
								4 OF 5			

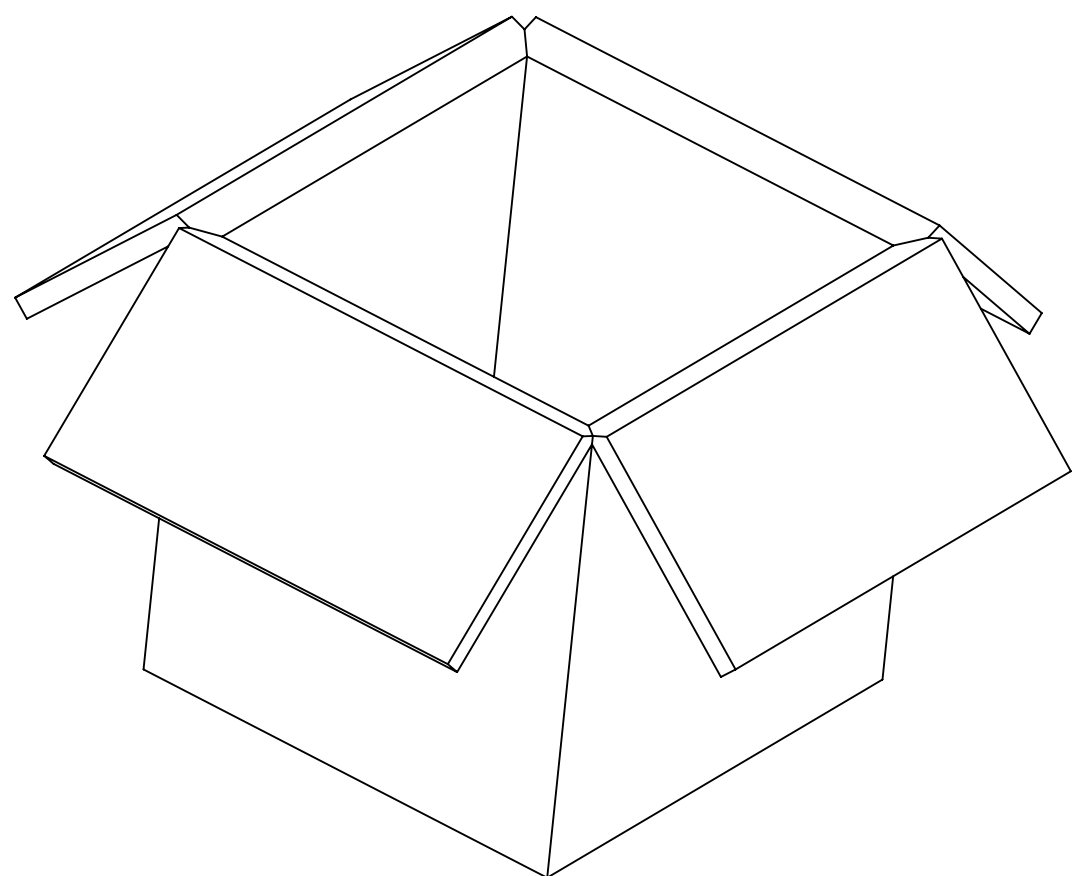
DOCUMENT STATUS	P1	RELEASE DATE	2022/09/13 09:16:28
-----------------	----	--------------	---------------------



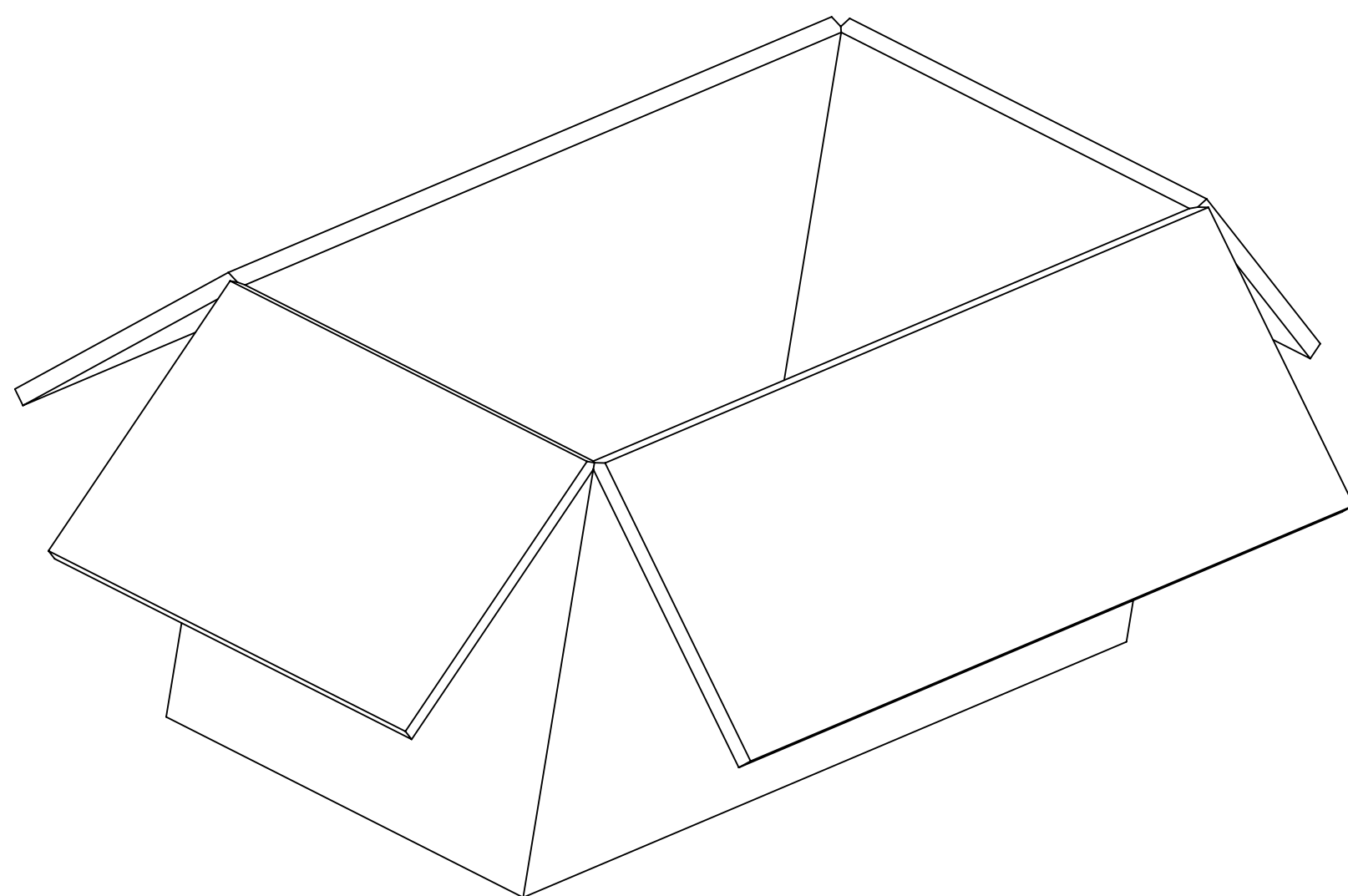
PART NO : 73366-0068



20 SET PER TRAY
P/N: 89707-0308



200 SET PER INNER CARTON BOX
P/N: 96707-0005
L176mm X W173mm X D176mm



400 SET PER OUTER CARTON BOX
P/N: 96707-0002
L572mm X W184mm X D192mm

FUNCTIONAL SYMBOLS	THIS DRAWING CONTAINS INFORMATION THAT IS PROPRIETARY TO MOLEX ELECTRONIC TECHNOLOGIES, LLC AND SHOULD NOT BE USED WITHOUT WRITTEN PERMISSION										
	DIMENSION UNITS	SCALE	CURRENT REV DESC:								
$\frac{E}{A} = 0$	MM/INCH	NTS	EWR # 15425-A ADDED TRAY PACKING DRAWING								
$\frac{E}{C} = 0$	GENERAL TOLERANCES (UNLESS SPECIFIED)		EC NO: 720553							MCX JACK VERT PCB TH 50 OHMS MCX-J/PCB EWR-3263	
$\frac{E}{P} = 0$	ANGULAR TOL $\pm 2.0^\circ$		4 PLACES \pm				DRWN: JSU18 2022/09/07			PRODUCT CUSTOMER DRAWING	
DIVISIONAL SYMBOLS	3 PLACES \pm		CHK'D: YCHENG 2022/09/13				DOCUMENT NUMBER		DOC TYPE	DOC PART	REVISION
	2 PLACES \pm		APPR: YCHENG 2022/09/13				SD-73366-006		PSD	001	C3
	1 PLACE \pm		INITIAL REVISION:				MATERIAL NUMBER		CUSTOMER		SHEET NUMBER
	0 PLACES \pm		DRWN: JTSAO 2006/04/20 APPR: MISEN 2001/03/01				GENERAL MARKET		5 OF 5		
DRAFT WHERE APPLICABLE MUST REMAIN WITHIN DIMENSIONS			THIRD ANGLE PROJECTION		DRAWING	SERIES					
					C-SIZE	73366					

DOCUMENT STATUS	P1	RELEASE DATE	2022/09/13 09:16:28
-----------------	----	--------------	---------------------

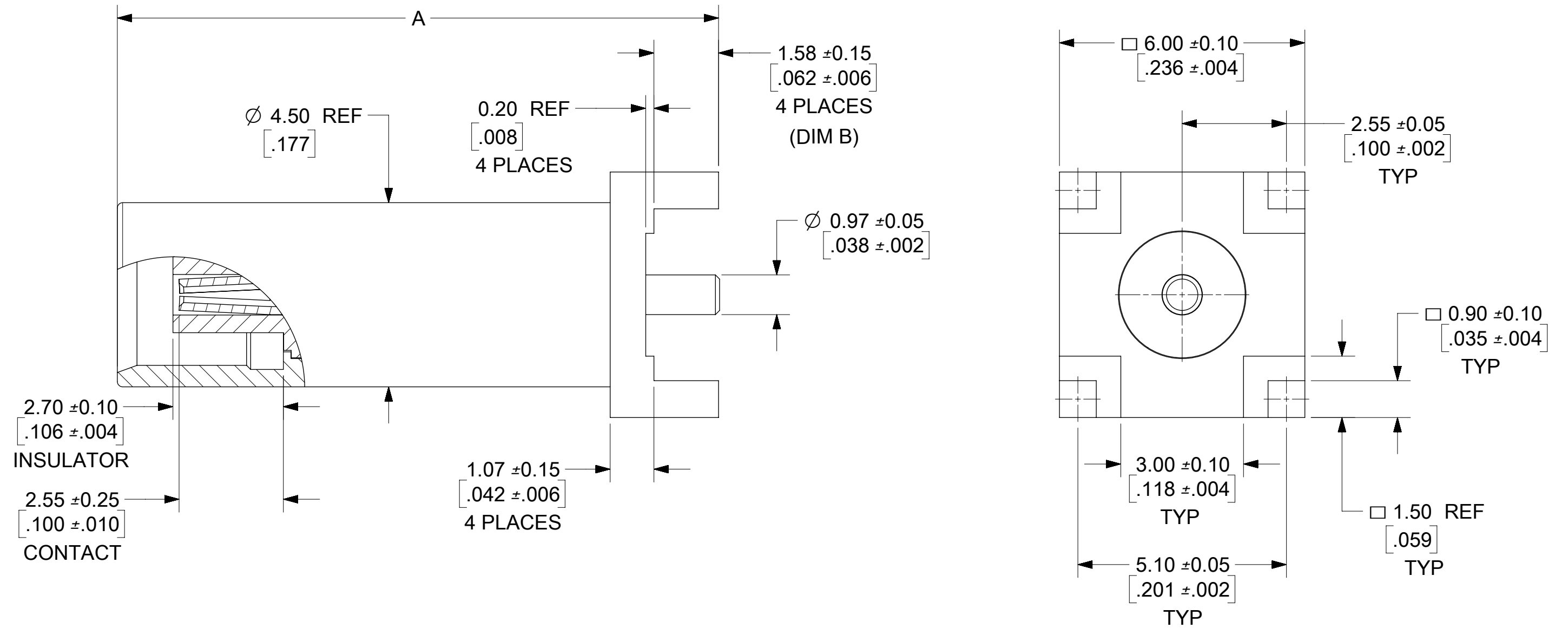
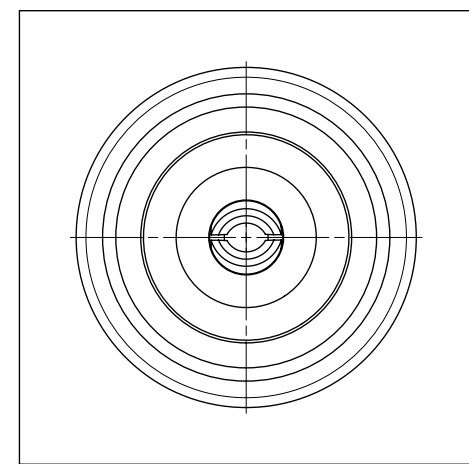
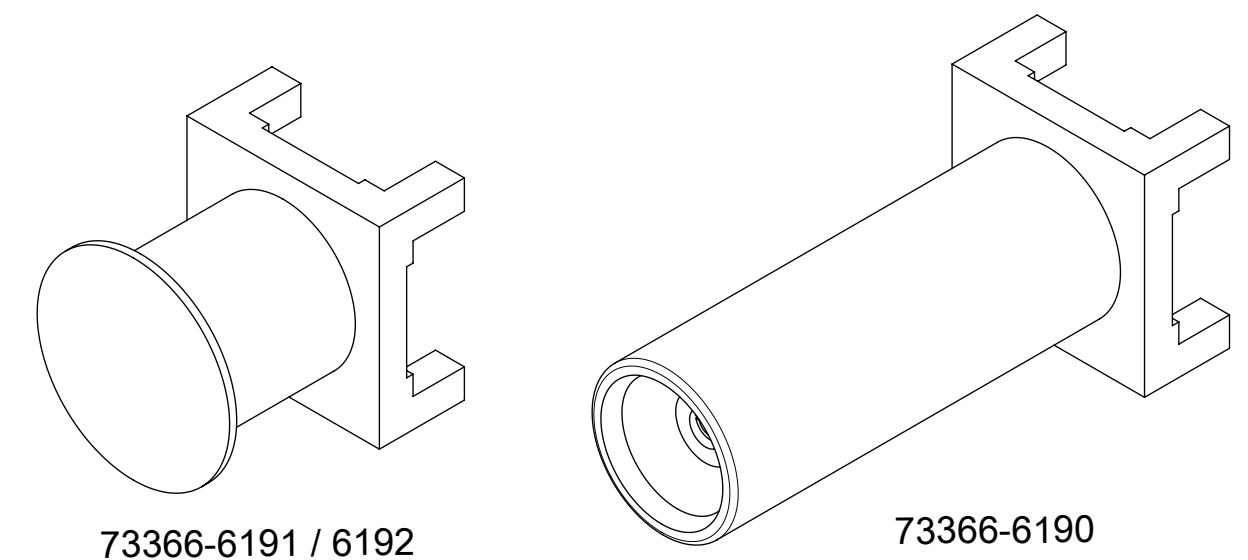
MATERIALS AND FINISHES:

BODY: BRASS
 PLATED: GOLD (1μ-in MIN)
 OVER NICKEL (50μ-in MIN)

CONTACT: BERYLLIUM COPPER
 PLATED: SEE TABLE

INSULATOR: PTFE

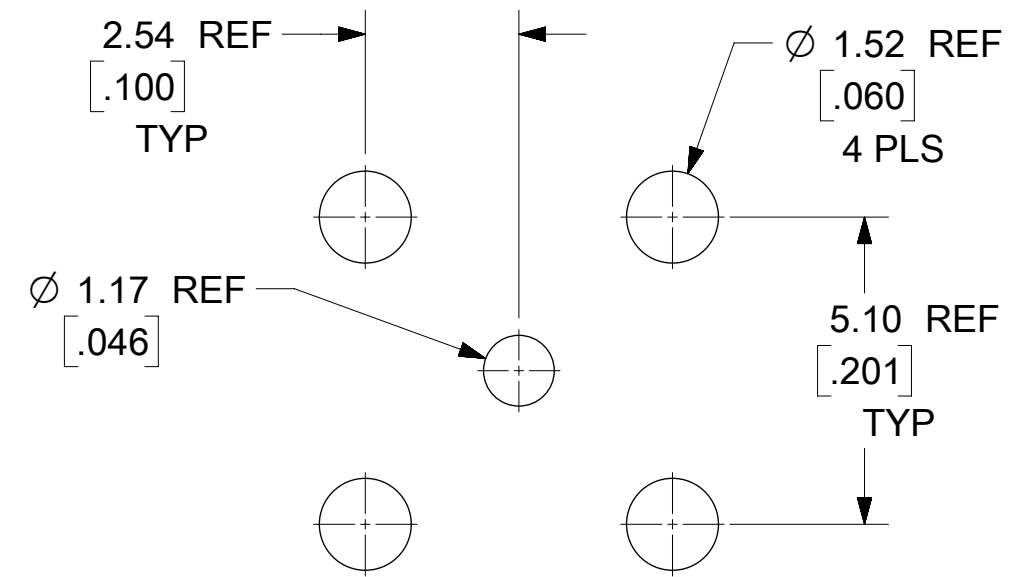
KAPTON: POLYIMIDE
 COLOR: BLACK
 (TAPE & REEL PACKAGE)



73366-6192	7.10	.280	GOLD (1μ-in MIN) OVER NICKEL (50μ-in MIN)	TAPE & REEL
73366-6191	7.10	.280	GOLD (30μ-in MIN) OVER NICKEL (50μ-in MIN)	73366-0061 TAPE & REEL
73366-6190	14.70	.579	GOLD (10μ-in MIN) OVER NICKEL (100μ-in MIN)	TRAY
PART NO.	MM	IN	PLATING (CONTACT)	PACKAGE
	DIM A (REF)			

NOTE:
 SEE SD-73366-006 FOR CONTINUATION OF
 TABULATION AND TAPE & REEL DRAWING

73366-0069	.280±.006	7.10±0.15	.062±.006	1.57±0.15	GOLD 1u" MIN.	1 PC 73366-0061 PER BAG
73366-0068	.280±.006	7.10±0.15	.062±.006	1.57±0.15	NICKEL 70u" MIN.	73366-0060 SMALL TRAY
73366-0067	.280±.006	7.10±0.15	.062±.006	1.57±0.15	NICKEL 70u" MIN.	1 PC 73366-0060 PER BAG
73366-0066	.236±.006	5.99±0.15	.019±.006	0.50±0.15	GOLD 1u" MIN.	73366-0065 TAPE & REEL
73366-0065	.236±.006	5.99±0.15	.019±.006	0.50±0.15	GOLD 1u" MIN.	TRAY
73366-0064	.236±.006	5.99±0.15	.019±.006	0.50±0.15	NICKEL 70u" MIN.	73366-0063 TAPE & REEL
73366-0063	.236±.006	5.99±0.15	.019±.006	0.50±0.15	NICKEL 70u" MIN.	TRAY
73366-0062	.280±.006	7.10±0.15	.062±.006	1.57±0.15	NICKEL 70u" MIN.	73366-0060 TAPE & REEL
73366-0061	.280±.006	7.10±0.15	.062±.006	1.57±0.15	GOLD 1u" MIN.	TRAY
73366-0060	.280±.006	7.10±0.15	.062±.006	1.57±0.15	NICKEL 70u" MIN.	TRAY
PART NO.	IN	MM	IN	MM	PLATING	PACKAGE
DIM (X)	DIM A		DIM B		BODY	



RECOMMENDED HOLE LAYOUT

SYMBOLS	THIS DRAWING CONTAINS INFORMATION THAT IS PROPRIETARY TO MOLEX ELECTRONIC TECHNOLOGIES, LLC AND SHOULD NOT BE USED WITHOUT WRITTEN PERMISSION		
	DIMENSION UNITS	SCALE	CURRENT REV DESC: MIGRATED AND REVISED
▽ = 0	HYBRID	NTS	
▽ = 0	GENERAL TOLERANCES (UNLESS SPECIFIED)		
▽ = 0		MM	INCH
▽ = 0	4 PLACES ±		
▽ = 0	3 PLACES ±		± 0.01
▽ = 0	2 PLACES ±	0.25	
▽ = 0	1 PLACE ±		
▽ = 0	0 PLACES ±		
▽ = 0	ANGULAR TOL ± 2.0°		
▽ = 0	DRAFT WHERE APPLICABLE MUST REMAIN WITHIN DIMENSIONS		
	THIRD ANGLE PROJECTION	DRAWING	SERIES
		C-SIZE	73366
	EC NO: 611420	DRWN: CWEI02	2019/02/20
	CHK'D: YCHENG	APPR: YCHENG	2019/02/20
	INITIAL REVISION:	DRWN: AZR	2009/10/14
		APPR: WSPINK	2014/04/10
	DOCUMENT NUMBER	DOC TYPE	DOC PART
	SD-73366-619	PSD	000
	MATERIAL NUMBER	CUSTOMER	SHEET NUMBER
	SEE TABLE		1 OF 1

molex

MCX JACK VERTICAL PCB
 50 OHMS TH, MCX-J/PCB, EWR-10630

PRODUCT CUSTOMER DRAWING

DOCUMENT NUMBER: SD-73366-619
 DOC TYPE: PSD
 DOC PART: 000
 REVISION: A3

SEE TABLE