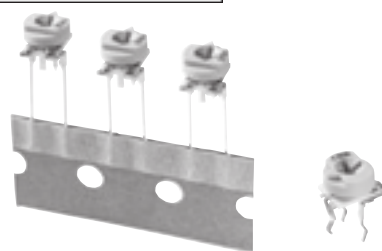


6 mm Square Dustproof Ceramic Trimmer Potentiometers (Cermet, Radial Taping)

Discontinued



Type: **EVMAAS/EVMAES (Radial Taping)**
EVMAAG/EVMAEG/EVMAHG/EVMAJG/EVMASG (Bulk)

Features

- High reliability due to cermet element
- Excellent automatic insertion due to strong lead terminals
- Available for automatic adjustment due to slot & taper shape suitable for screwdriver
- Dustproof type with electrically activated wiper enclosed in an insulated rotor cap
- Conforms to JIS C5260-1:1999
- RoHS compliant

Recommended Applications

- Audio/visual, office, and communication equipment
- General electronic equipment

Explanation of Part Numbers

1	2	3	4	5	6	7	8	9	10	11	12
E	V	M	A	A	S	A	0	0	B	5	2
Product Code			Type/Structure (AA, AE, AH, AJ, AS)					Taper & Resistance Example : B52=500 Ω			

Symbol	Packaging
SA00	Radial taping height 20 mm
SA01	Radial taping height 21 mm
GA00	Bulk Standard

Specifications

	EVMAA□/EVMAHG/EVMAJG/EVMASG	EVMAE□ (Low Resistor Value)
Total Resistance Value	100 Ω to 1 MΩ	10 Ω to 500 Ω
Resistance Tolerance	±25 %	
Power Rating	0.3 W	0.5 W
Limiting Element Voltage	100 V	$\sqrt{P \cdot R}$
Rotation Torque	2 to 30 mN·m	
Stopper Strength	50 mN·m min.	
Temperature Coefficient of Resistance	$\pm 200 \times 10^{-6}/^{\circ}\text{C}$	· $10 \Omega \leq R \leq 20 \Omega$ $\pm 200 \times 10^{-6}/^{\circ}\text{C}$ · $20 \Omega < R \leq 200 \Omega$ $\pm 150 \times 10^{-6}/^{\circ}\text{C}$ · $200 \Omega < R \leq 500 \Omega$ $\pm 100 \times 10^{-6}/^{\circ}\text{C}$

Minimum Quantity/Packing Unit

Part Number	Radial taping		Bulk	
	Quantity per Box	Packaging quantity	Quantity per pack	Packaging quantity
EVMAAS EVMAES	1,000	10,000	—	—
EVMAAG EVMAHG EVMAJG EVMASG	—	—	200	2,000
EVMAEG	—	—	600	3,000

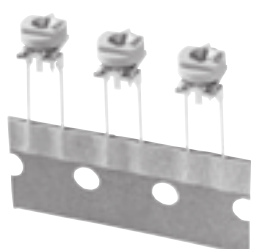
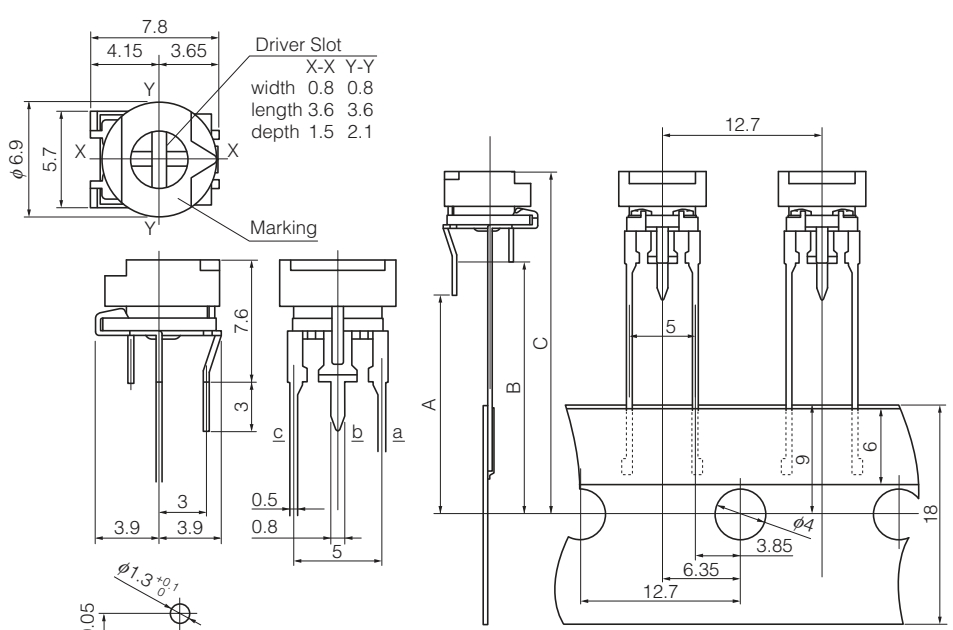
Design and specifications are each subject to change without notice. Ask factory for the current technical specifications before purchase and/or use.
 Should a safety concern arise regarding this product, please be sure to contact us immediately.

Dimensions in mm (not to scale)

- Radial tapering

- 3-terminal, Top-adjust, Cross Slots EVMAAS/EVMAES

No. 1

Driver Slot
X-X Y-Y
width 0.8 0.8
length 3.6 3.6
depth 1.5 2.1

Marking

(Recommended PWB Piercing Plan)

(Circuit diagram)


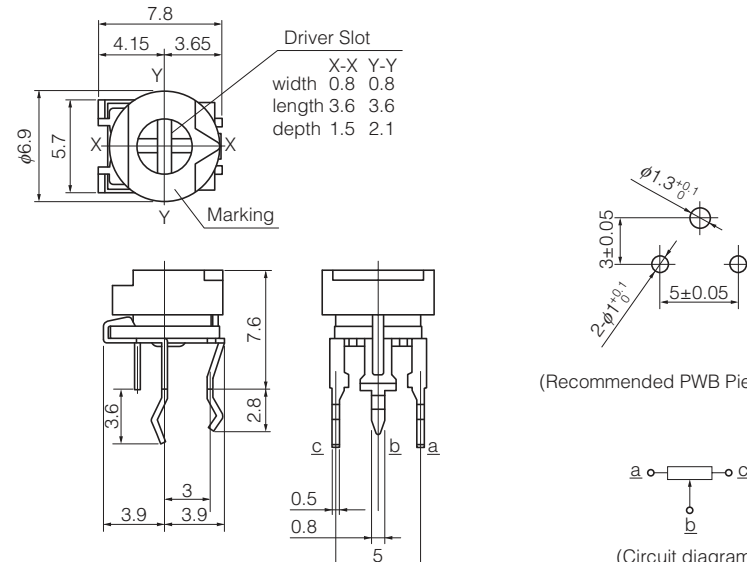
	A	B	C
A00	17	20	27.6
A01	18	21	28.6

Mass (Weight) : 420 mg/pc.

- Bulk

- 3-terminal, Top-adjust, Cross Slots EVMAAG/EVMAEG

No. 2

Driver Slot
X-X Y-Y
width 0.8 0.8
length 3.6 3.6
depth 1.5 2.1

Marking

(Recommended PWB Piercing Plan)

(Circuit diagram)


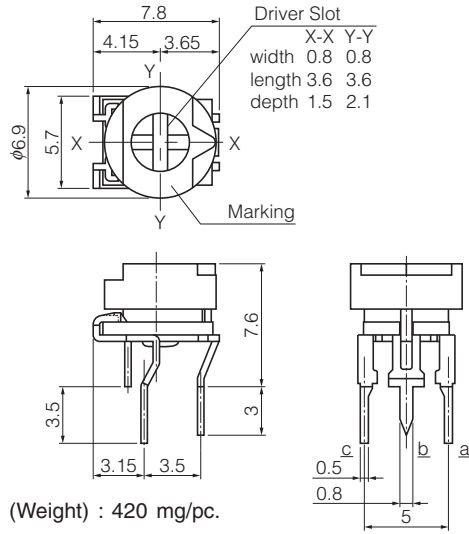
Mass (Weight) : 420 mg/pc.

Dimensions in mm (not to scale)

- Bulk

- 3-terminal, Top-adjust, Cross Slots EVMAHG

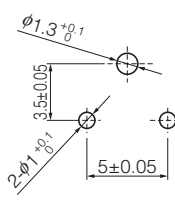
No. 3

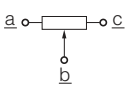
Driver Slot
 X-X Y-Y
 width 0.8 0.8
 length 3.6 3.6
 depth 1.5 2.1

Marking

(Recommended PWB Piercing Plan)




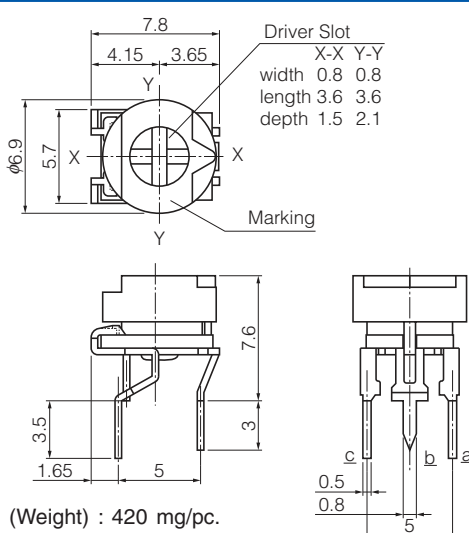
(Circuit diagram)



Mass (Weight) : 420 mg/pc.

- 3-terminal, Top-adjust, Cross Slots EVMAJG

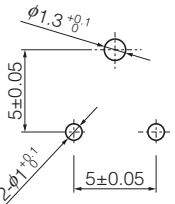
No. 4

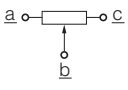
Driver Slot
 X-X Y-Y
 width 0.8 0.8
 length 3.6 3.6
 depth 1.5 2.1

Marking

(Recommended PWB Piercing Plan)




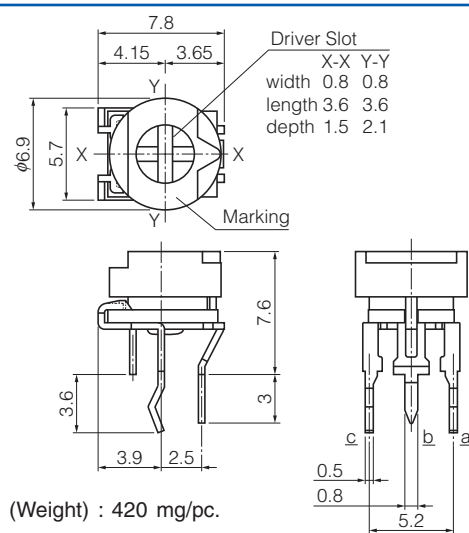
(Circuit diagram)



Mass (Weight) : 420 mg/pc.

- 3-terminal, Top-adjust, Cross Slots EVMASG

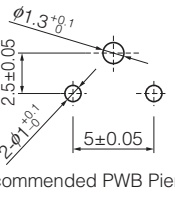
No. 5

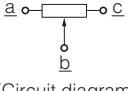
Driver Slot
 X-X Y-Y
 width 0.8 0.8
 length 3.6 3.6
 depth 1.5 2.1

Marking

(Recommended PWB Piercing Plan)



(Circuit diagram)



Mass (Weight) : 420 mg/pc.