

TW Linx

Surge Protection Solutions

TW Linx[®] GUARD

ADAPTIVE AC SURGE PROTECTION

WITH

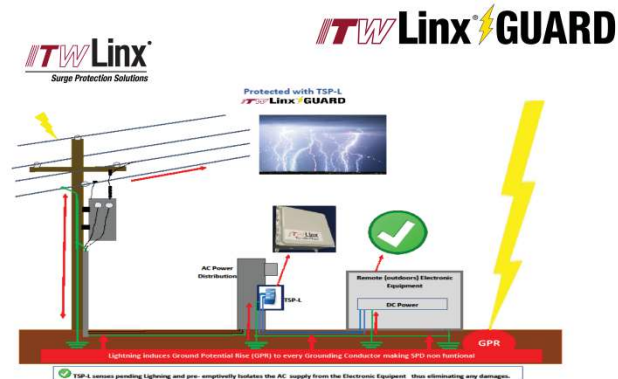
LIGHTNING DETECTION AND LOAD ISOLATION

TSP-L Series

The TSP-L Series is a next generation Surge Protection System incorporating lightning detection, load isolation, electrical wiring fault detection and AC voltage monitoring.

TSP-L Series pre-emptively disconnects and isolates electronic systems for the duration of the threat and automatically re-connects AC power after the threat has passed.

During isolation mode equipment operation continues if powered by a standby UPS, batteries or generator.



Features & Benefits

- Detects impending lightning before the strike occurs
- Isolates and protects sensitive equipment from destructive AC transients and ground currents
- Protects communications installations per 1692-2011 - IEEE Guide for the Protection of Communication Installations from Lightning Effects
- Selectable voltage thresholds prevent unstable re-connection of AC power
- Analyzes and monitors electrical infrastructure for proper wiring
- Remote communications capability
- AC power quality and voltage monitoring enhance powering stability and increase equipment reliability
- The PCBA Communication board creates a closed loop circuit condition when a lightning event has occurred or a utility power condition happens

Applications

- Critical equipment and infrastructure
- Outside plant and remote equipment
- Security systems
- Business automation systems
- Networks and wireless systems
- Oil and gas infrastructure
- Rail systems and infrastructure
- Where traditional SPDs fail to protect



TW Linx[®]

Surge Protection Solutions

Tel: 800.336.LINX / Fax: 630.315.2152

WWW.ITWLINX.COM

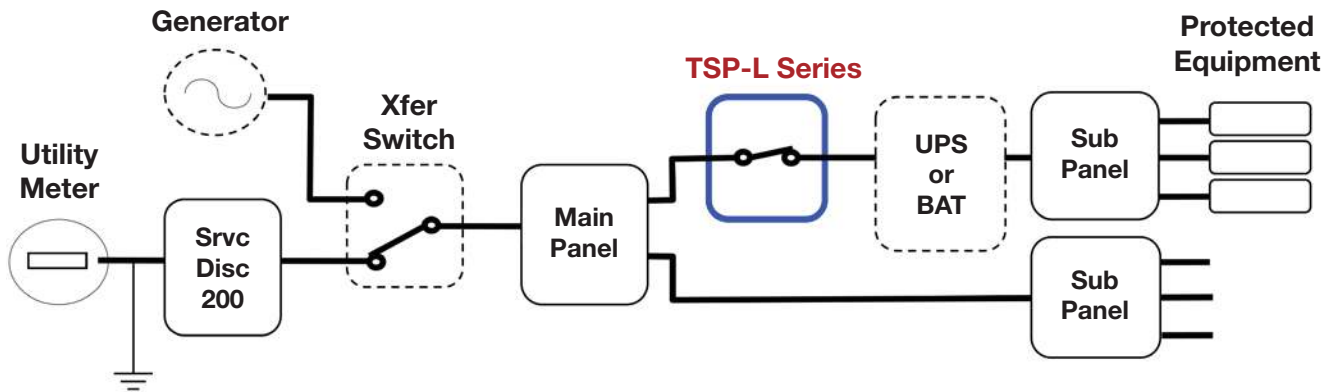
Model & Specifications

Model	TSP-L 240/120-60*
Dimensions (W x H x D)	12" x 14" x 10"
Net Weight	12 lbs.
Voltage	120/240 VAC
Frequency	50/60 Hz
Load Disconnect Capacity	60A
Conductors Disconnected	L1/L2/N
Power Consumption	< 20W
Nominal Discharge Current 8/20 (In)	20KA
Max. Discharge Current 8/20 (Imax)	80KA
Typical Lightning Sensor Range	<5 miles
Load Isolation	>12KV
Cooling	Convictional
Storage Temperature	-40° C to 85° C
Operating Temperature	-40° C to 50° C
Indoors & Outdoors Installation	Yes
Outdoors NEMA Rating 4x	Yes
Standards and Compliance	UL1449 4 th Edition SPD Type 2
*Add R for Optional Remote Lightning Detection Antenna	Yes

R=Remote

UL 1449 4th Edition SPD TYPE 2

Typical Installation



SPECIFICATIONS SUBJECT TO CHANGE WITHOUT NOTICE