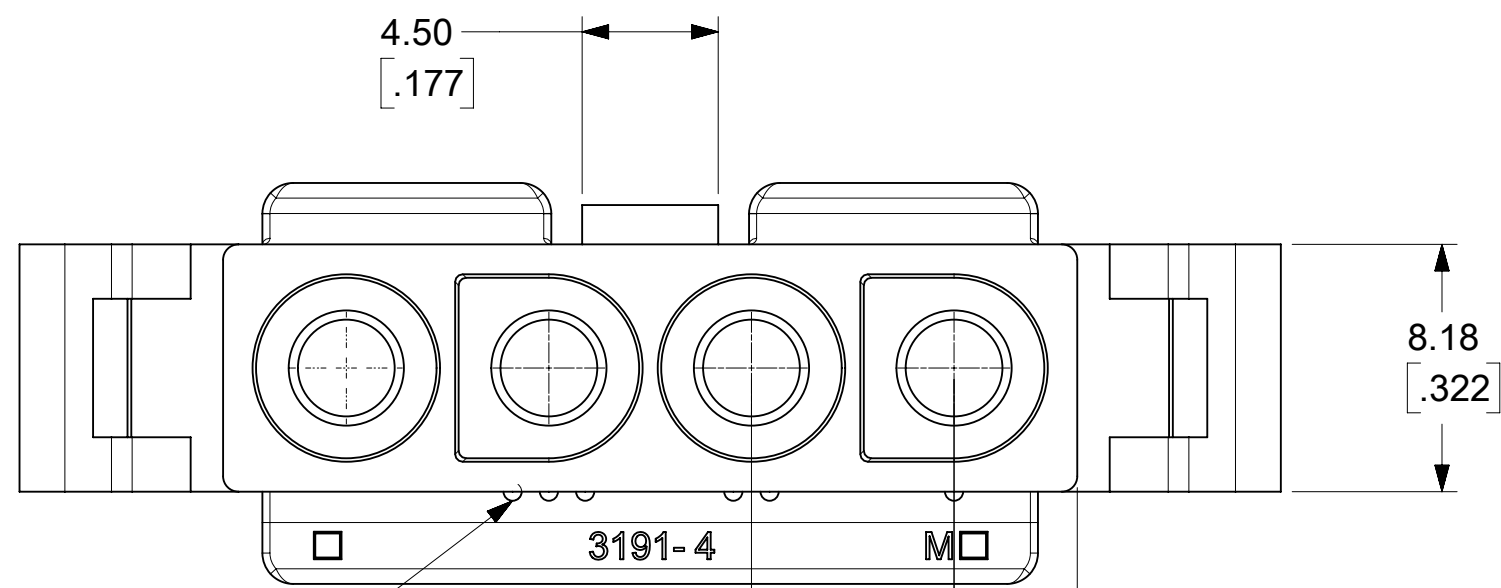


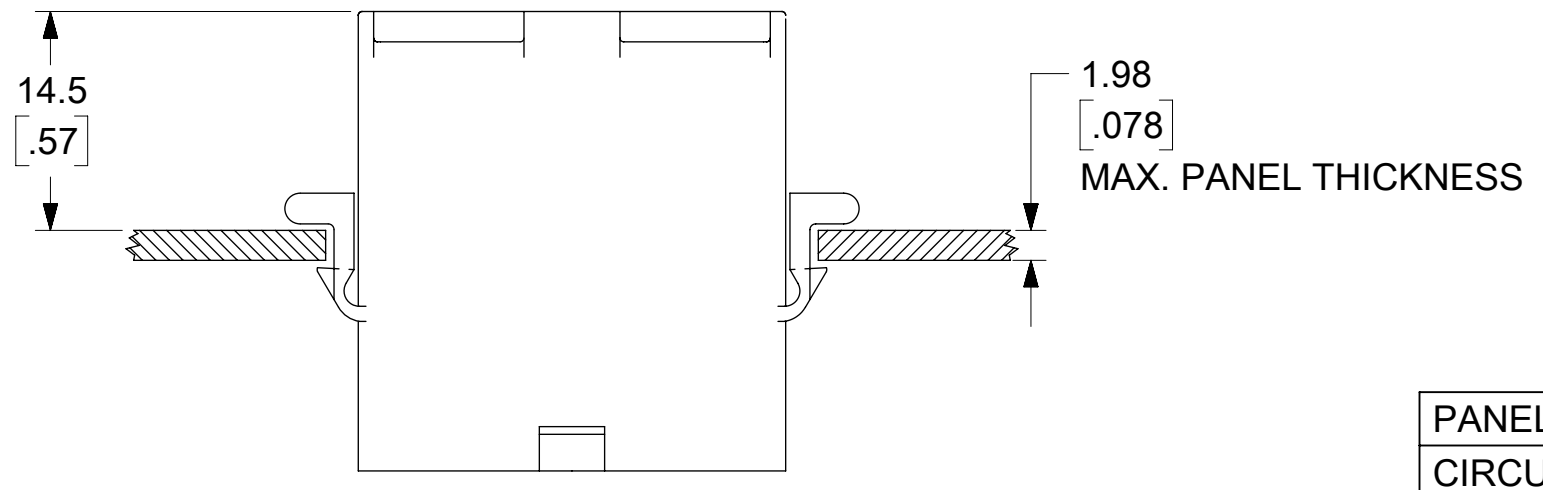
(SHOWN WITH OPTIONAL MOUNTING EARS)

PLUG

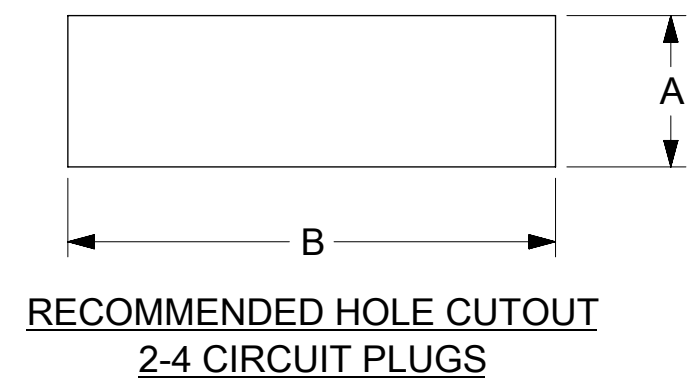


CIRCUIT I.D. RIBS

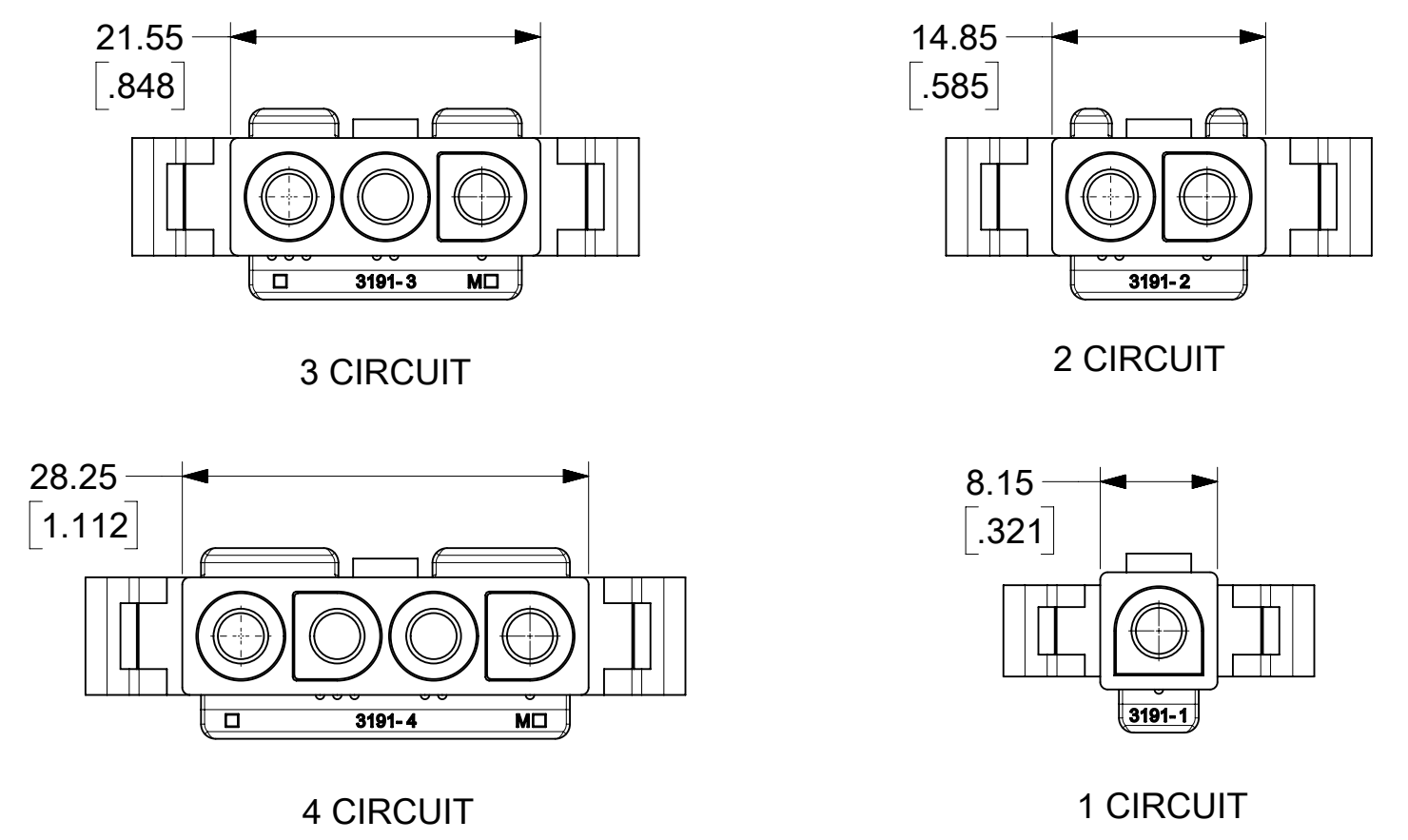
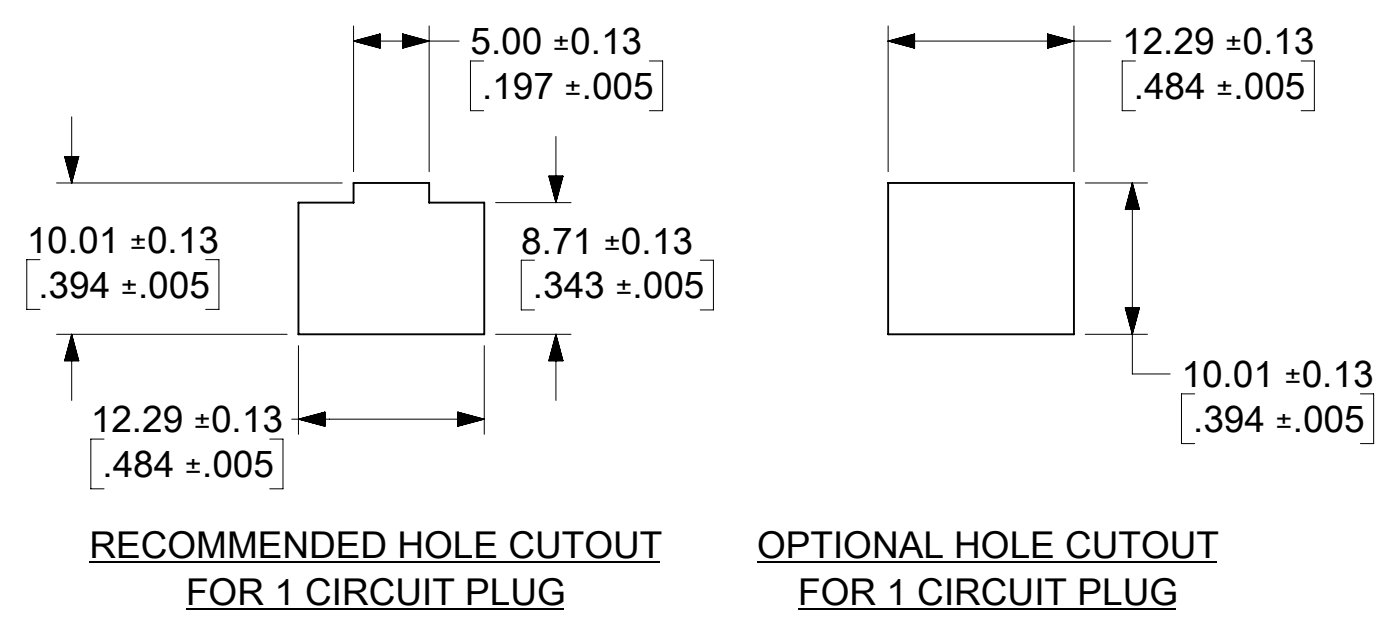
| | | | | | | | | | | | | | | | |
|--|---|---|--------------|------------------------|---|---|--|--------|--|-----------------|--|----------------|--|--------------|--|
| FUNCTIONAL SYMBOLS | THIS DRAWING CONTAINS INFORMATION THAT IS PROPRIETARY TO MOLEX ELECTRONIC TECHNOLOGIES, LLC AND SHOULD NOT BE USED WITHOUT WRITTEN PERMISSION | | | | | | | | | | | | | | |
| | DIMENSION UNITS | | SCALE | | CURRENT REV DESC: RELEASED | | | | | | | | | | |
| | MM/INCH | | 4:1 | | EC NO: 643927 DRWN: MKIPPER 2020/06/02 CHK'D: MKIPPER 2022/10/12 APPR: FSMITH 2022/10/14 | | | | | | | | | | |
| | GENERAL TOLERANCES (UNLESS SPECIFIED) | | | | | | | | | | | | | | |
| DIVISIONAL SYMBOLS | 4 PLACES ± | | MM | | INCH | | INITIAL REVISION: DRWN: MKIPPER 2020/06/02 APPR: FSMITH 2022/10/14 | | | | | | | | |
| | 3 PLACES ± | | ± 0.01 | | | | | | | | | | | | |
| | 2 PLACES ± | | 0.25 ± 0.015 | | | | | | | | | | | | |
| | 1 PLACE ± | | 0.38 ± | | | | | | | | | | | | |
| 0 PLACES ± | | ± | | | | DOCUMENT NUMBER: 31910000-SD DOC TYPE: PSD DOC PART: 000 REVISION: A | | | | | | | | | |
| ANGULAR TOL ± ° | | | | | | | | | | | | | | | |
| DRAFT WHERE APPLICABLE MUST REMAIN WITHIN DIMENSIONS | | | | THIRD ANGLE PROJECTION | | DRAWING | | SERIES | | MATERIAL NUMBER | | CUSTOMER | | SHEET NUMBER | |
| | | | | | | C-SIZE | | 3191 | | SEE CHARTS | | GENERAL MARKET | | 1 OF 4 | |



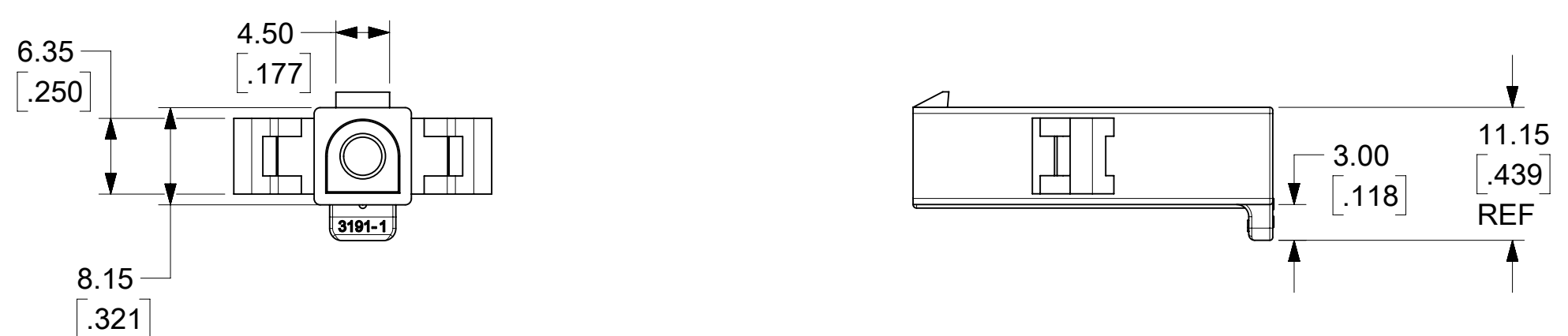
| PANEL HOLE CUTOUT DIMENSIONS | | |
|------------------------------|---------------------------|----------------------------|
| CIRCUITS | DIM. "A" | DIM. "B" |
| 2 | 9.27 ±0.13 .365 ±.005 | 20.32 ±0.13 .800 ±.005 |
| 3 | 10.01 ±0.13 .394 ±.005 | 25.91 ±0.13 1.020 ±.005 |
| 4 | 10.01 ±0.13 .394 ±.005 | 32.26 ±0.13 1.270 ±.005 |



| CIRCUITS | PART NO. | ENG. NO. | MATERIAL | COLOR | MOUNTING EARS | PACKAGING |
|----------|------------|--------------|----------|---------|---------------|-------------|
| 1 | 19-09-2018 | 3191-1P | UL94V-2 | NATURAL | YES | 31910002-PK |
| | 19-09-2019 | 3191-1P1 | UL94V-2 | NATURAL | NO | 31910002-PK |
| | 19-09-2017 | 3191-1P-201 | UL94V-0 | IVORY | YES | 31910002-PK |
| | 19-09-2016 | 3191-1P1-201 | UL94V-0 | IVORY | NO | 31910002-PK |
| 2 | 19-09-2028 | 3191-2P | UL94V-2 | NATURAL | YES | 31910002-PK |
| | 19-09-2029 | 3191-2P1 | UL94V-2 | NATURAL | NO | 31910002-PK |
| | 19-09-2027 | 3191-2P-201 | UL94V-0 | IVORY | YES | 31910002-PK |
| | 19-09-2026 | 3191-2P1-201 | UL94V-0 | IVORY | NO | 31910002-PK |
| 3 | 19-09-2038 | 3191-3P | UL94V-2 | NATURAL | YES | 31910001-PK |
| | 19-09-2039 | 3191-3P1 | UL94V-2 | NATURAL | NO | 31910001-PK |
| | 19-09-2037 | 3191-3P-201 | UL94V-0 | IVORY | YES | 31910002-PK |
| | 19-09-2036 | 3191-3P1-201 | UL94V-0 | IVORY | NO | 31910002-PK |
| | 19-09-3033 | 3191-3PBU | UL94V-2 | BLUE | YES | 31910002-PK |
| 4 | 19-09-2048 | 3191-4P | UL94V-2 | NATURAL | YES | 31910002-PK |
| | 19-09-2049 | 3191-4P1 | UL94V-2 | NATURAL | NO | 31910002-PK |
| | 19-09-2047 | 3191-4P-201 | UL94V-0 | IVORY | YES | 31910002-PK |
| | 19-09-2046 | 3191-4P1-201 | UL94V-0 | IVORY | NO | 31910002-PK |

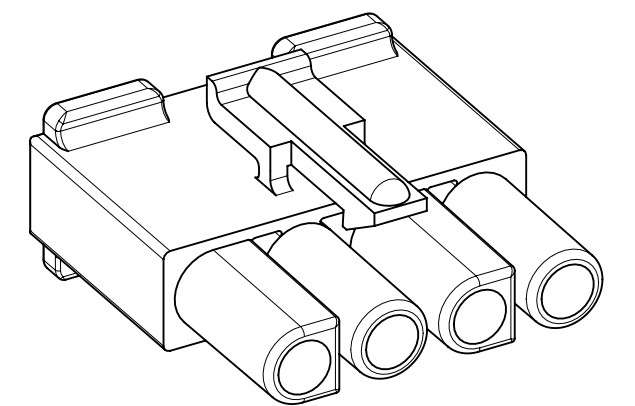
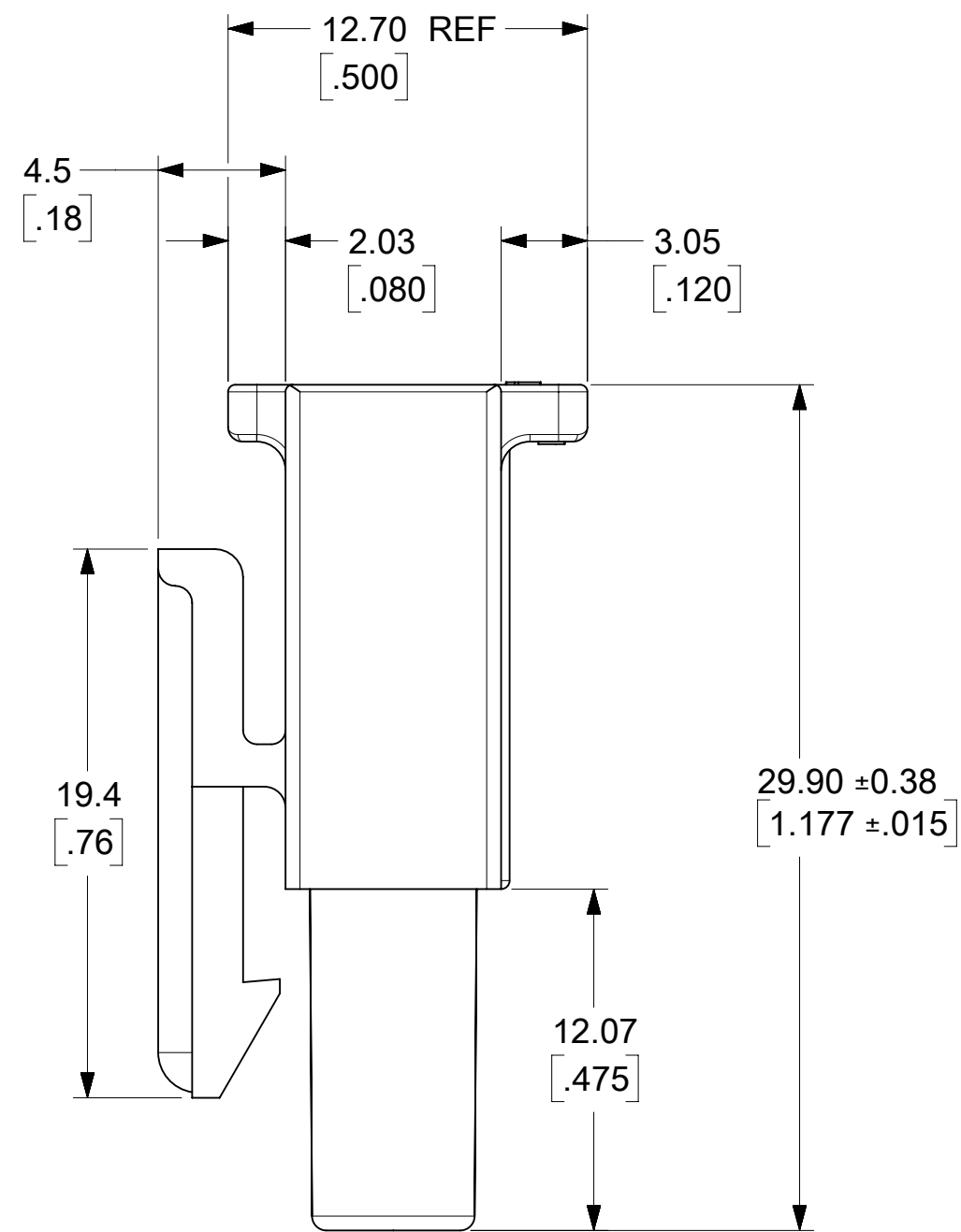
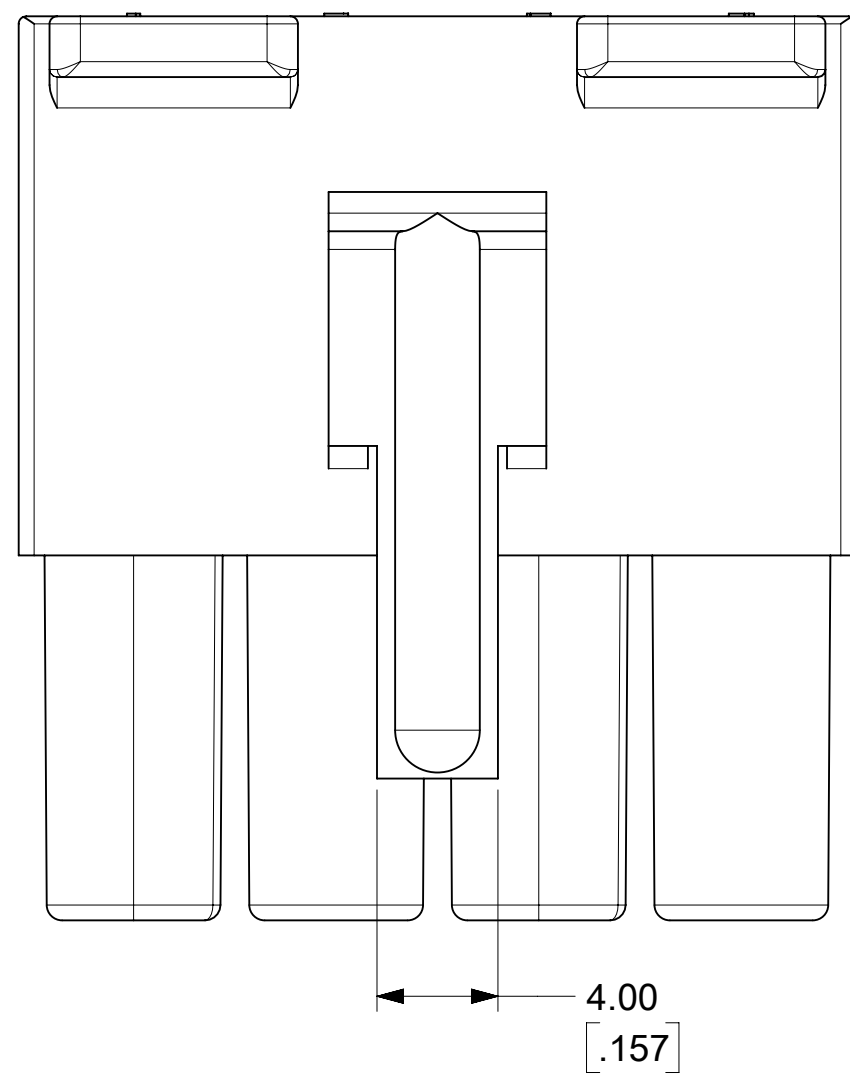
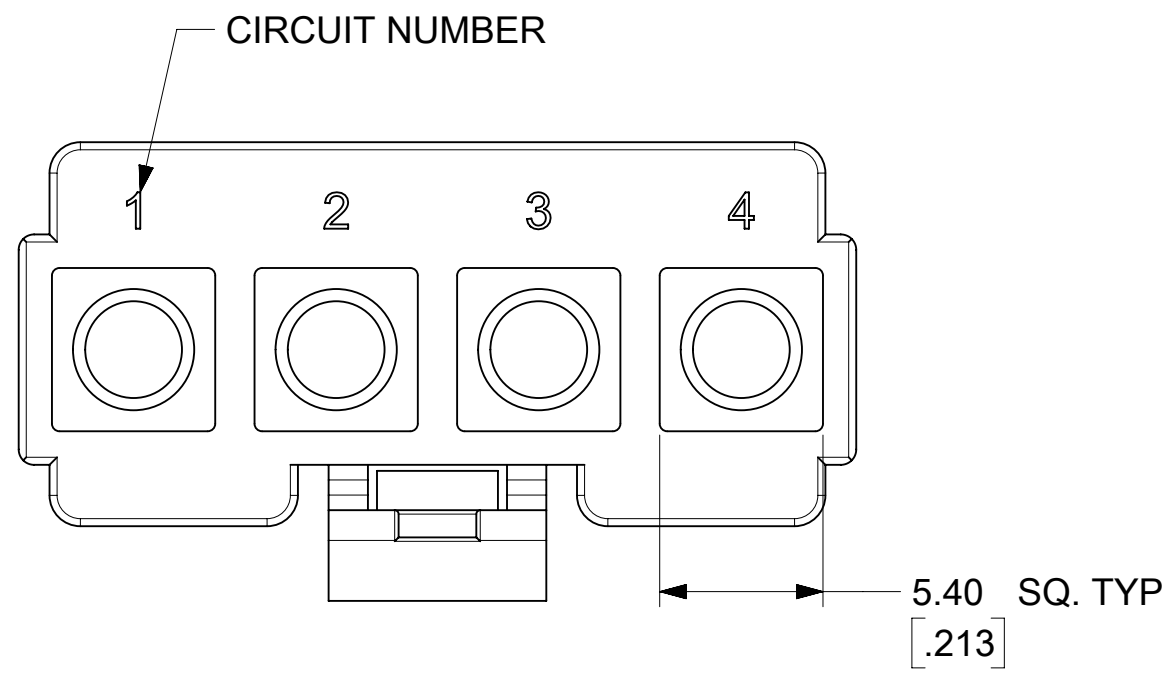


PLUG POLARIZATION

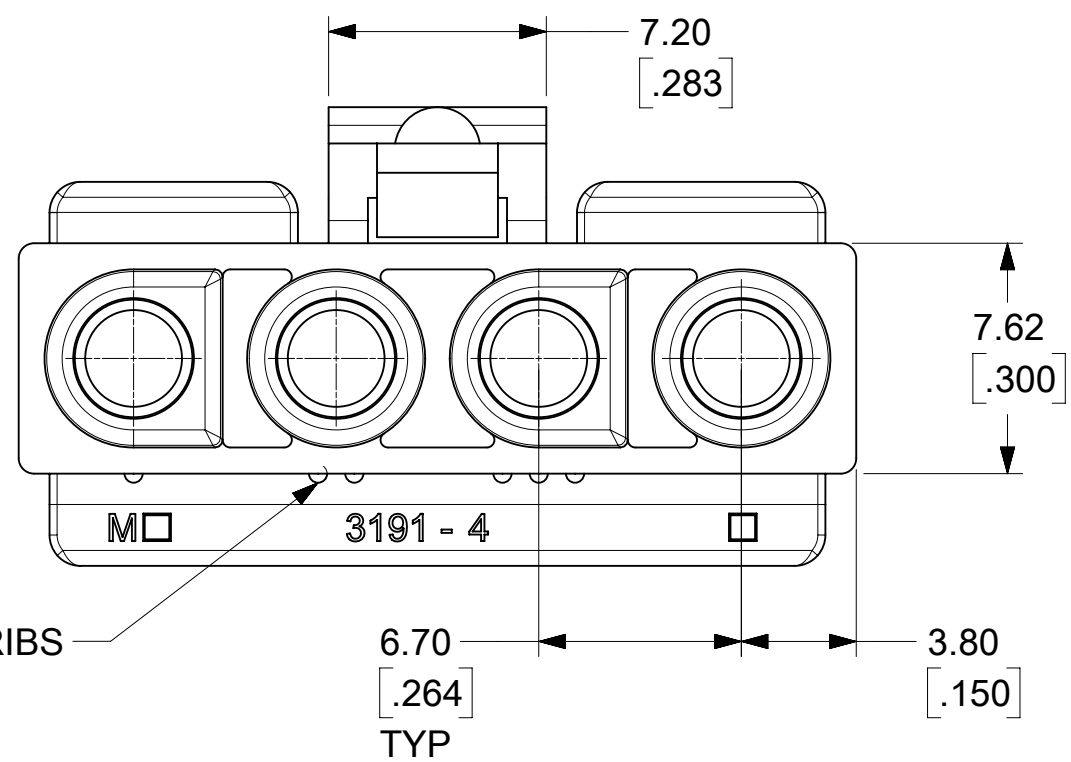


THESE DIMENSIONS APPLY TO 1 CIRCUIT PLUG ONLY
SEE SHEETS 1 FOR OTHER DIMENSIONS.

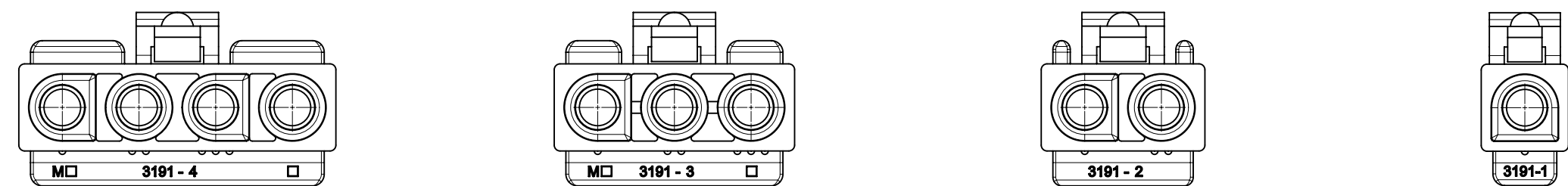
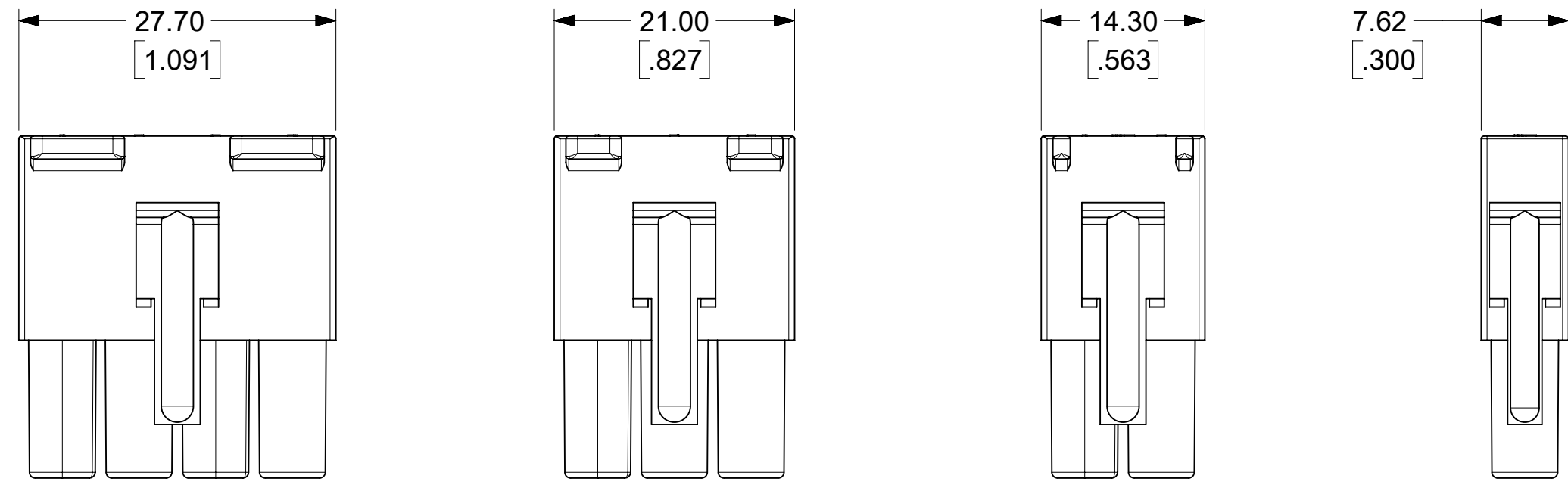
| | | | | | | |
|--------------------|---|---------|--|-------------------|----------------|--------------|
| FUNCTIONAL SYMBOLS | THIS DRAWING CONTAINS INFORMATION THAT IS PROPRIETARY TO MOLEX ELECTRONIC TECHNOLOGIES, LLC AND SHOULD NOT BE USED WITHOUT WRITTEN PERMISSION | | | | | |
| | DIMENSION UNITS | SCALE | CURRENT REV DESC: RELEASED | | | |
| $F_A = 0$ | MM/INCH | 2:1 | <p>molex</p> <p>.093/(2.36) PLUG AND RECEPTACLE HOUSINGS SINGLE ROW 1-4 CIRCUITS</p> <p>PRODUCT CUSTOMER DRAWING</p> <p>DOCUMENT NUMBER: 31910000-SD DOC TYPE: PSD DOC PART: 000 REVISION: A</p> | | | |
| $F_C = 0$ | GENERAL TOLERANCES (UNLESS SPECIFIED) | | | | | |
| $F_P = 0$ | | | | | | |
| DIVISIONAL SYMBOLS | | | | | | |
| | | | | | | |
| | 4 PLACES | ± | ± | EC NO: 643927 | 2020/06/02 | |
| | 3 PLACES | ± | ± 0.01 | DRWN: MKIPPER | 2022/10/12 | |
| | 2 PLACES | ± 0.25 | ± 0.015 | CHK'D: MKIPPER | 2022/10/14 | |
| | 1 PLACE | ± 0.38 | ± | APPR: FSMITH | | |
| | 0 PLACES | ± | ± | INITIAL REVISION: | | |
| | ANGULAR TOL | ± | ° | DRWN: MKIPPER | 2020/06/02 | |
| | DRAFT WHERE APPLICABLE MUST REMAIN WITHIN DIMENSIONS | | | APPR: FSMITH | 2022/10/14 | |
| | THIRD ANGLE PROJECTION | DRAWING | SERIES | MATERIAL NUMBER | CUSTOMER | SHEET NUMBER |
| | | C-SIZE | 3191 | SEE CHARTS | GENERAL MARKET | 2 OF 4 |



RECEPTACLE



| | | | | | | | | |
|--|---|------------------------|---------|--|-----------------|----------------|----------|--------------|
| FUNCTIONAL SYMBOLS | THIS DRAWING CONTAINS INFORMATION THAT IS PROPRIETARY TO MOLEX ELECTRONIC TECHNOLOGIES, LLC AND SHOULD NOT BE USED WITHOUT WRITTEN PERMISSION | | | | | | | |
| | DIMENSION UNITS | SCALE | | CURRENT REV DESC: RELEASED | | | | |
| $\frac{F}{A} = 0$ | MM/INCH | 4:1 | | EC NO: 643927 DRWN: MKIPPER CHK'D: MKIPPER APPR: FSMITH | | | | |
| $\frac{F}{C} = 0$ | GENERAL TOLERANCES (UNLESS SPECIFIED) | | | | | | | |
| DIVISIONAL SYMBOLS | | MM | INCH | 2020/06/02 | | | | |
| | 4 PLACES | ± | ± | 2022/10/12 | | | | |
| | 3 PLACES | ± | ± 0.01 | 2022/10/14 | | | | |
| | 2 PLACES | ± 0.25 | ± 0.015 | | | | | |
| | 1 PLACE | ± 0.38 | ± | INITIAL REVISION: | | | | |
| | 0 PLACES | ± | ± | DRWN: MKIPPER 2020/06/02 | | | | |
| | ANGULAR TOL | ± ° | | 2022/10/14 | | | | |
| DRAFT WHERE APPLICABLE MUST REMAIN WITHIN DIMENSIONS | | THIRD ANGLE PROJECTION | DRAWING | SERIES | DOCUMENT NUMBER | DOC TYPE | DOC PART | REVISION |
| | | | C-SIZE | 3191 | 31910000-SD | PSD | 000 | A |
| | | | | | SEE CHARTS | GENERAL MARKET | | SHEET NUMBER |
| | | | | | | | | 3 OF 4 |

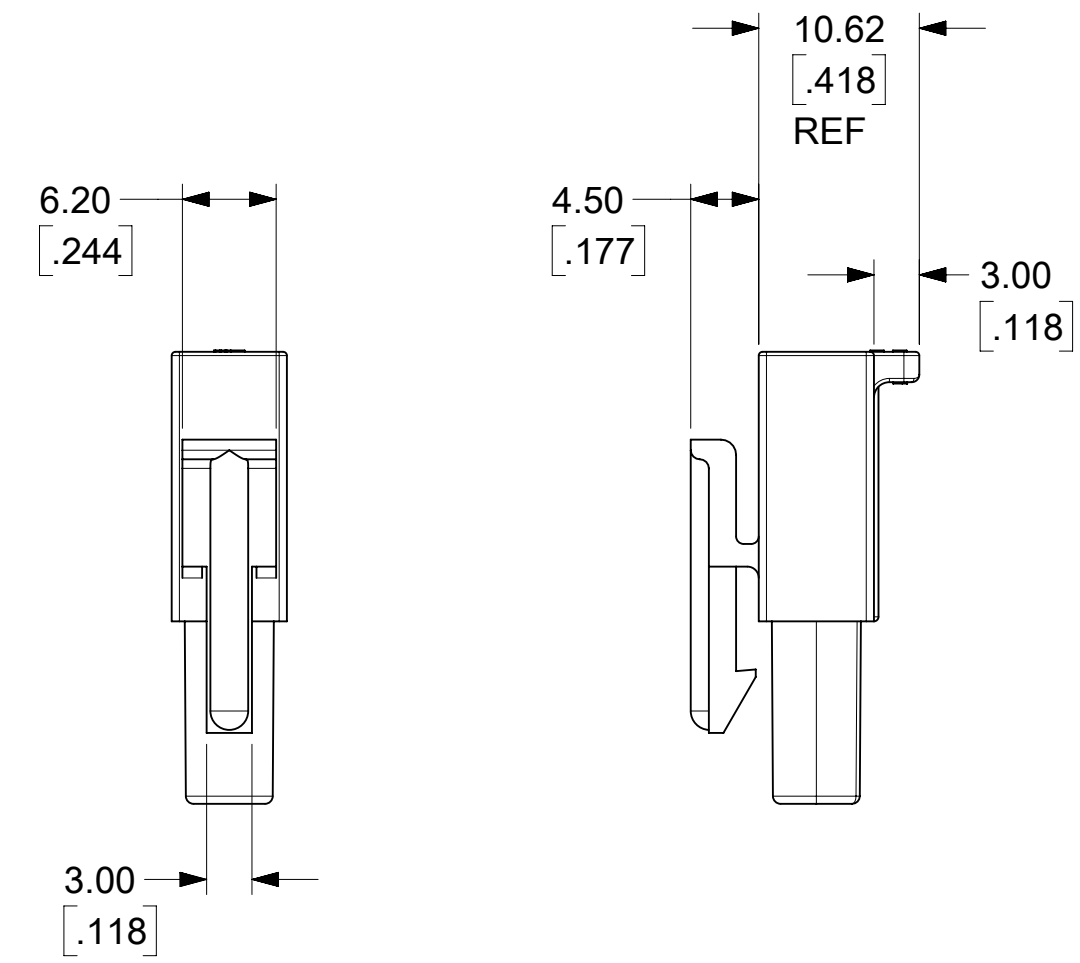


RECEPTACLE POLARIZATION

- NOTES:
1. MATERIAL: NYLON TYPE 6/6. SEE CHART FOR COLOR AND UL94 RATING.
 2. FINISH: NONE
 3. PRODUCT SPECIFICATION PS-02-09
 4. PACKAGING SPECIFICATION: SEE CHART
 5. PARTS CONFORM TO CLASS B REQUIREMENTS OF COSMETIC SPECIFICATION PS-45499-002.

THIS DRAWING REPLACES
 SD-3191-1X AND SD-3191-1*
 SD-3191-2X AND SD-3191-2*
 SD-3191-3X AND SD-3191-3*
 SD-3191-4X AND SD-3191-4*

| CIRCUITS | PART NO. | ENG. NO. | MATERIAL | COLOR | PACKAGING | MOUNTING EARS |
|----------|------------|--------------|----------|---------|-------------|--|
| 1 | 19-09-1019 | 3191-1R1 | UL94V-2 | NATURAL | 31910002-PK | MOUNTING EARS NOT AVAILABLE ON RECEPTACLES |
| | 19-09-1016 | 3191-1R1-201 | UL94V-0 | IVORY | 31910002-PK | |
| | 19-09-6011 | 3191-1R1BU | UL94V-2 | BLUE | TBD | |
| 2 | 19-09-1029 | 3191-2R1 | UL94V-2 | NATURAL | 31910002-PK | |
| | 19-09-1026 | 3191-2R1-201 | UL94V-0 | IVORY | 31910002-PK | |
| 3 | 19-09-1039 | 3191-3R1 | UL94V-2 | NATURAL | 31910001-PK | |
| | 19-09-1036 | 3191-3R1-201 | UL94V-0 | IVORY | 31910002-PK | |
| | 19-09-5039 | 3191-3R1-2 | UL94V-0 | WHITE | 31910001-PK | |
| 4 | 19-09-1049 | 3191-4R1 | UL94V-2 | NATURAL | 31910001-PK | |
| | 19-09-1046 | 3191-4R1-201 | UL94V-0 | IVORY | 31910002-PK | |



THESE DIMENSIONS APPLY TO 1 CIRCUIT RECEPTACLES ONLY

| | | | | | |
|---|---|------------------------|----------------------------|---|---|
| FUNCTIONAL SYMBOLS $\frac{F}{A} = 0$ $\frac{F}{C} = 0$ $\frac{F}{P} = 0$ DIVISIONAL SYMBOLS | THIS DRAWING CONTAINS INFORMATION THAT IS PROPRIETARY TO MOLEX ELECTRONIC TECHNOLOGIES, LLC AND SHOULD NOT BE USED WITHOUT WRITTEN PERMISSION | | CURRENT REV DESC: RELEASED | | |
| | DIMENSION UNITS | SCALE | EC NO: 643927 | | |
| | MM/INCH | 2:1 | DRWN: MKIPPER | 2020/06/02 | molex .093/(2.36) PLUG AND RECEPTACLE HOUSINGS SINGLE ROW 1-4 CIRCUITS |
| | GENERAL TOLERANCES (UNLESS SPECIFIED) | | CHK'D: MKIPPER | 2022/10/12 | |
| 4 PLACES ± | | MM | INCH | APPR: FSMITH | 2022/10/14 |
| 3 PLACES ± | | ± 0.01 | | INITIAL REVISION: | |
| 2 PLACES ± | | ± 0.015 | | DRWN: MKIPPER | 2020/06/02 |
| 1 PLACE ± | | ± | | APPR: FSMITH | 2022/10/14 |
| 0 PLACES ± | | ± | | DOCUMENT NUMBER: 31910000-SD DOC TYPE: PSD DOC PART: 000 REVISION: A | |
| ANGULAR TOL ± ° | | THIRD ANGLE PROJECTION | | MATERIAL NUMBER: SEE CHARTS | |
| DRAFT WHERE APPLICABLE MUST REMAIN WITHIN DIMENSIONS | | DRAWING: C-SIZE | | CUSTOMER: GENERAL MARKET | |
| | | SERIES: 3191 | | SHEET NUMBER: 4 OF 4 | |

| PLUG | | RECEPTACLE | | |
|------------|--------------|------------|--------------|----------|
| PART NO. | ENG. NO. | PART NO. | ENG. NO. | |
| 19-09-2018 | 3191-IP | 19-09-1019 | 3191-IR1 | |
| 19-09-2019 | 3191-IP1 | 19-09-1016 | 3191-IR1-201 | |
| 19-09-2017 | 3191-IP-201 | 19-09-6010 | 3191-IR1RD | OBSOLETE |
| 19-09-2016 | 3191-IP1-201 | 19-09-6011 | 3191-IR1BU | |
| 19-09-2015 | 3191-IPRD | | | |

LEGEND

3191-1****-*

CIRCUIT SIZE

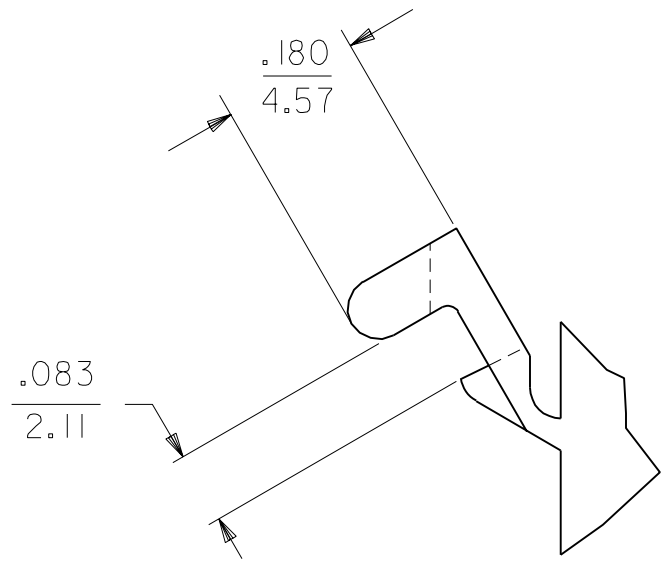
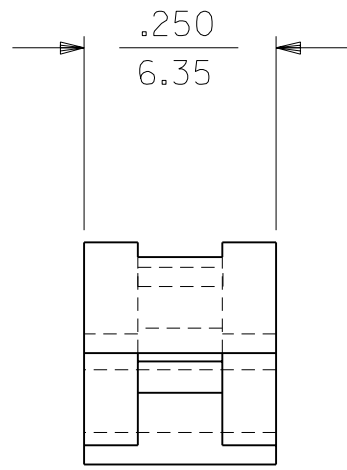
P = PLUG
R = RECEPTACLE

EARS: BLANK = WITH PREBENT EARS (PLUG ONLY)
I = WITHOUT EARS

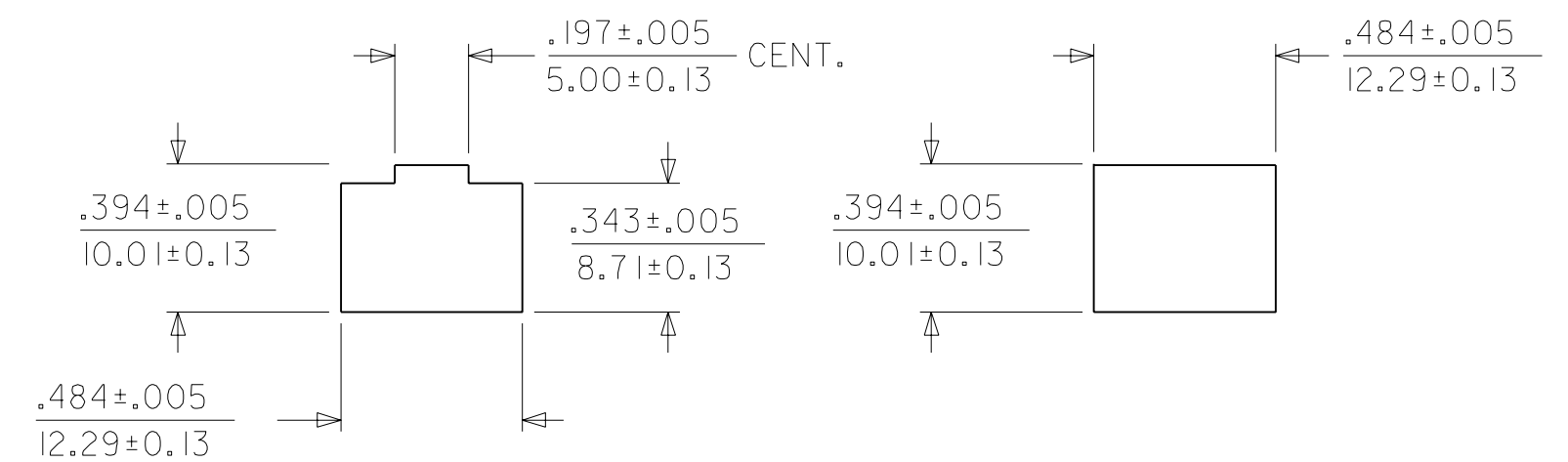
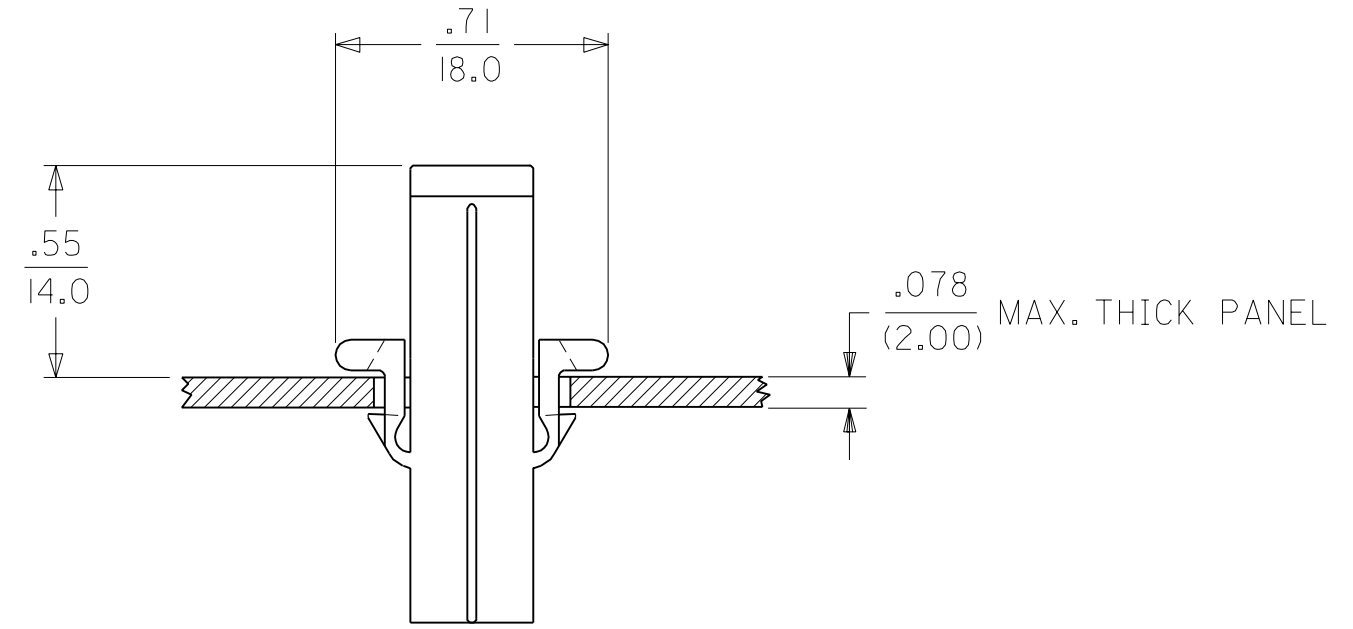
COLOR: BLANK = NATURAL COLOR

AM=AMBER BK=BLACK BU=BLUE
BN=BROWN GY=GRAY GN=GREEN
OR=ORANGE RD=RED YW=YELLOW

MATERIAL: PER NOTE 1.



DETAIL "A"
PREBENT MOUNTING EAR
(SCALE 4:1)



RECOMMENDED HOLE CUTOUT
(SCALE 2:1)

OPTIONAL HOLE CUTOUT
(SCALE 2:1)

NOTES:

- MATERIAL:
"BLANK" - NYLON TYPE 6/6, 94V-2. COLOR: NATURAL.
201 - NYLON TYPE 6/6, 94V-0. COLOR: WHITE.
- FINISH: NONE.

| | |
|--|---------------|
| DIMENSIONS SHOWN (METRIC) INCH | |
| UNLESS OTHERWISE SPECIFIED TOLERANCES: ANGULAR ± 10° | |
| 3 PLACE | ± .010 |
| 2 PLACE | ± .014 ± 0.25 |
| 1 PLACE | ± 0.36 |

▽ = 0 ▼ = 0 REVISE ONLY ON CAD SYSTEM

TITLE: .093/(2.36) HOUSINGS PLUG AND RECEPTACLE 1 CIRCUIT

MOLEX INCORPORATED SHEET NO. 2 DATE 06/10/03
LISLE, ILL. 60532 U.S.A.

PART NO. SD-3191-1* DRWG. NO.

SEE CHART

FILE NAME: H3191X2 DGN
THIS DRAWING CONTAINS INFORMATION THAT IS PROPRIETARY TO MOLEX INC. AND SHOULD NOT BE USED WITHOUT WRITTEN PERMISSION.

DIV. CP SIZE C

| | | | |
|-----------|-----------|-----------|-------------|
| LTR. | REVISIONS | LTR. | REVISIONS |
| | | E | SEE SHEET 1 |
| | | D4 | SEE SHEET 1 |
| DRWG. BY | JBS | CHK'D. BY | BW |
| APP'D. BY | BW | SCALE | ---:--- |