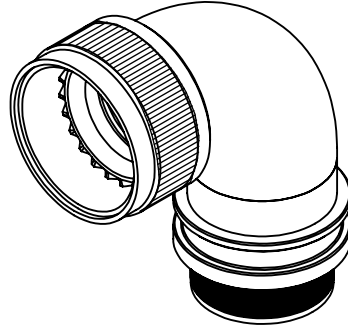


REVISIONS



TXR54AB9W-1608AI

SERIES \_\_\_\_\_  
 TXR: RING INCLUDED  
 (SEE RING OPTION)  
 TX: RING NOT INCLUDED  
 CONNECTOR INTERFACE \_\_\_\_\_  
 MATERIAL \_\_\_\_\_  
 FINISH \_\_\_\_\_  
 ANGLE \_\_\_\_\_  
 DASH NUMBER (TABLE 1) \_\_\_\_\_  
 ENTRY SIZE (TABLE 2) \_\_\_\_\_  
 RING OPTION \_\_\_\_\_  
 AI - TO SUIT SINGLE BRAID  
 BI - TO SUIT DOUBLE BRAID  
 FOR TX, LEAVE BLANK

NOTES:


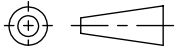
1. THIS PRODUCT IS DESIGNED TO TERMINATE A BRAIDED CABLE SHIELD AND A HEAT SHRINKABLE LIPPED BOOT TO A CONNECTOR.
2. THE INFORMATION CONTAINED ON THIS DRAWING SUPERSEDES THAT SHOWN IN SS-CH00-0250-008
3. SEE DRAWING TR FOR DETAIL ON TINEL-LOCK RING, RINGS ARE DESIGNED TO BE HEATED ELECTRICALLY, ALL RINGS ARE MARKED WITH THERMOCHROMIC PAINT WHICH CHANGES COLOUR WHEN INSTALLATION TEMPERATURE IS REACHED.
4. BACKSHELL TO BE PERMANENTLY MARKED/ BAGGED AND LABELLED WITH PART NUMBER AND BATCH NUMBER. (e.g. TXR54AB9W-1608 P123456)
5. AVAILABLE ENTRY SIZES ARE SHOWN IN TABLE 1. FOR ALTERNATIVE ENTRY SIZES, PLEASE CONTACT DESIGN AUTHORITY.
6. BACKSHELL MATES TO MIL-DTL-26482 SERIES II / MIL-DTL-83723 SERIES I & III

RELEASED FOR PUBLICATION

ALL RIGHTS RESERVED.

THIS DRAWING IS UNPUBLISHED.

BY  
 COPYRIGHT 20

DIMENSIONS: MILLIMETERS	DWN: C.WALLACE	15/04/2020	MATERIAL: SEE SS0076	FINISH: SEE SS0076				
	CHK: R.STYLES	17/04/2020	 TE Connectivity					
TOLERANCES UNLESS OTHERWISE SPECIFIED:	APVD: M.PAUL	15/04/2020			PART NUMBER:	TXR54(9W) SERIES		
GENERAL TOL LINEAR ±0.25MM ANGULAR ±1°	PRODUCT SPEC:	-	NAME:					
	APPLICATION SPEC:	-	CONDUIT SWEEP ELBOW BACKSHELL					
	WEIGHT:	-	SIZE	CAGE CODE	DRAWING NO	RESTRICTED TO		
	CUSTOMER DRAWING	-	A4	U5792	©-P46683			
			SCALE	1:1	SHEET	1 OF 2	REV	AB

REVISIONS

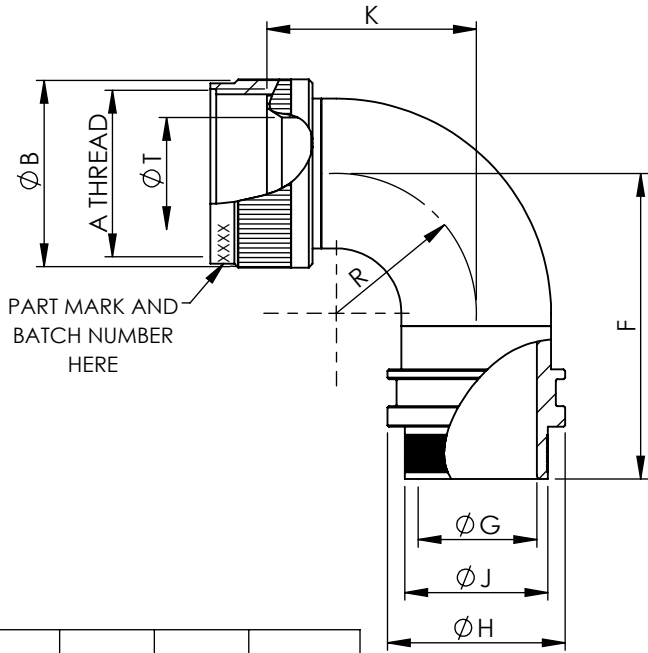
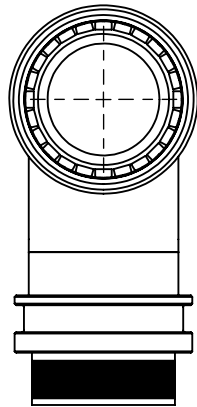


TABLE 1

ORDER NUMBER	A THREAD	ØB MAX	K MAX	F MAX	R REF.	ØT MIN	ENTRY SIZES
08	1/2 -20UNF	15,6	19,2	31,9	9,0	6,6	04
10	5/8 - 24UNEF	18,6	22,4	35,1	12,2	9,3	04, 05
12	3/4 - 20UNEF	21,7	25,6	38,3	15,4	12,8	06, 07
14	7/8 - 20UNEF	24,9	28,7	41,4	18,5	14,7	07, 08
16	1 - 20UNEF	28,2	31,9	44,6	21,7	17,8	08, 10
18	1 1/16 - 18UNEF	30,9	35,1	47,8	24,9	19,8	10, 12
20	1 3/16 - 18UNEF	34,1	38,3	51,0	28,1	23,0	12, 14
22	1 5/16 - 18UNEF	37,3	41,4	54,1	31,2	26,2	14, 16
24	1 7/16 - 18UNEF	40,4	44,6	57,3	34,4	29,1	16, 18

TABLE 2




ENTRY SIZE	ØG MIN	ØJ	ØH +/- 0,3
04	6,35	9,49 +/-0,04	14,0
05	7,92	11,06 +/-0,04	15,5
06	9,53	12,66 +/-0,04	17,1
07	11,10	14,21 +/-0,07	18,7
08	12,70	15,81 +/-0,07	20,3
10	15,88	18,96 +/-0,08	23,5
12	19,05	22,14 +/-0,08	26,7
14	22,23	25,30 +/-0,08	29,8
16	25,40	28,48 +/-0,08	33,0
18	28,58	31,65 +/-0,08	36,2

RELEASED FOR PUBLICATION

ALL RIGHTS RESERVED.

THIS DRAWING IS UNPUBLISHED.

© COPYRIGHT 20 BY

DIMENSIONS: MILLIMETERS	DWN: C.WALLACE	15/04/2020	MATERIAL: SEE SS0076	FINISH: SEE SS0076				
	CHK: R.STYLES	17/04/2020	 TE Connectivity					
TOLERANCES UNLESS OTHERWISE SPECIFIED:	APVD: M.PAUL	15/04/2020			PART NUMBER:	TXR54(9W) SERIES		
GENERAL TOL LINEAR ±0,25MM ANGULAR ±1°	PRODUCT SPEC:	-	NAME:					
	APPLICATION SPEC:	-	CONDUIT SWEEP ELBOW BACKSHELL					
 	WEIGHT:	-	SIZE	CAGE CODE	DRAWING NO	RESTRICTED TO		
	CUSTOMER DRAWING	-	A4	U5792	©=P46683			
			SCALE	1:1	SHEET	2 OF 2	REV	AB