

USB port, 22 mm, plastic, black



product brand name	SIRIUS ACT
product designation	USB port
design of the product	USB 3.0
product type designation	3SU1
product line	Plastic, black, 22 mm
<b>Actuator</b>	
outer diameter of the actuating element	29.45 mm
<b>General technical data</b>	
protection class IP	IP65
<b>Ambient conditions</b>	
<ul style="list-style-type: none"> <li>ambient temperature during operation</li> <li>ambient temperature during storage</li> </ul>	<p>-25 ... +70 °C</p> <p>-40 ... +80 °C</p>
<b>Installation/ mounting/ dimensions</b>	
shape of the installation opening	round
mounting diameter	22.3 mm
mounting height	11.7 mm
installation width	29.45 mm
installation depth	28.35 mm
<b>Accessories</b>	
material of accessory	Plastic
color of accessory	black
<b>Certificates/ approvals</b>	
General Product Approval	Declaration of Conformity



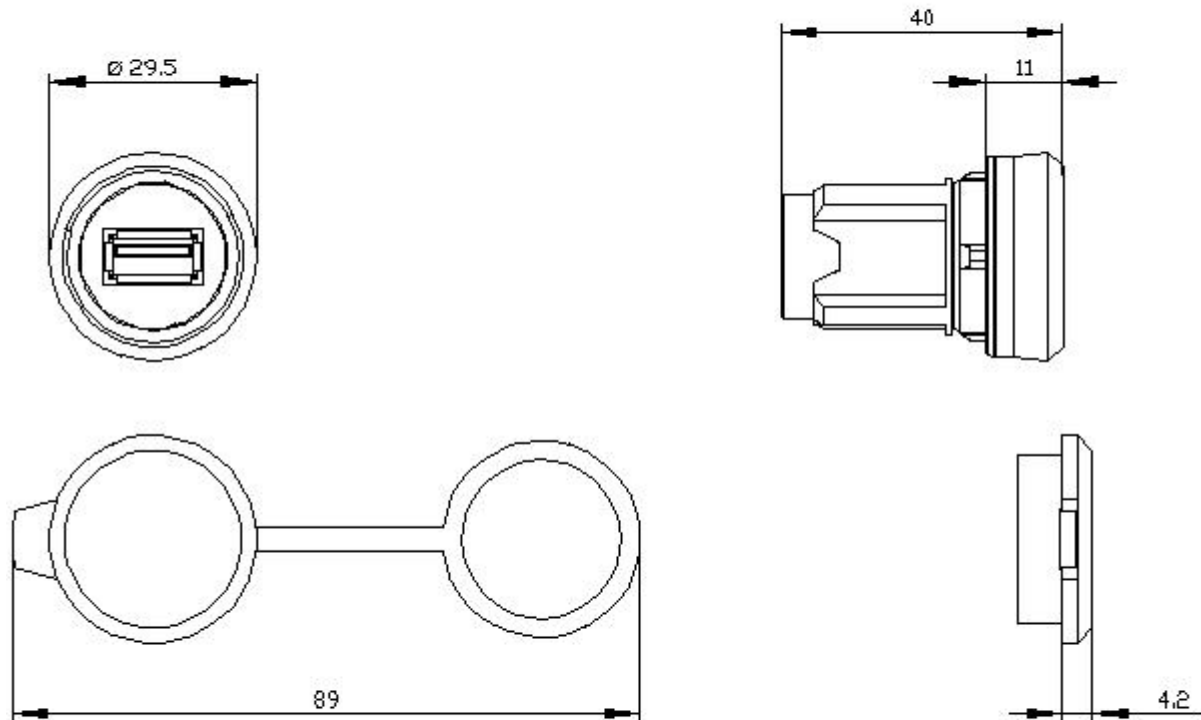
Declaration of Conformity	Test Certificates	Marine / Shipping
---------------------------	-------------------	-------------------

[Miscellaneous](#)

[Miscellaneous](#)

[Type Test Certificates/Test Report](#)



[Confirmation](#)**Further information****Information- and Downloadcenter (Catalogs, Brochures,...)**<https://www.siemens.com/ic10>**Industry Mall (Online ordering system)**<https://mall.industry.siemens.com/mall/en/en/Catalog/product?mlfb=3SU1900-0GA10-0AA0>**Cax online generator**<http://support.automation.siemens.com/WW/CAXorder/default.aspx?lang=en&mlfb=3SU1900-0GA10-0AA0>**Service&Support (Manuals, Certificates, Characteristics, FAQs,...)**<https://support.industry.siemens.com/cs/ww/en/ps/3SU1900-0GA10-0AA0>**Image database (product images, 2D dimension drawings, 3D models, device circuit diagrams, EPLAN macros, ...)**[http://www.automation.siemens.com/bilddb/cax\\_de.aspx?mlfb=3SU1900-0GA10-0AA0&lang=en](http://www.automation.siemens.com/bilddb/cax_de.aspx?mlfb=3SU1900-0GA10-0AA0&lang=en)

last modified:

12/10/2020

