

MATERIALS AND FINISHES

BODY ZINC ALLOY  
PLATED NICKEL 70 MICROINCHES MIN

CENTER CONTACT PHOSPHOR BRONZE  
PLATED GOLD 8 MICROINCHES MIN

INSULATOR POLYPROPYLENE

HOUSING VALOX 420-SEO BLACK

SOLDER TAIL COPPER OVER STEEL WIRE  
PLATED TIN 200 MICROINCHES MIN

BOARD LOCK CLIP PHOSPHOR BRONZE  
PLATED TIN 150 MICROINCHES MIN

FRONT CLIP PHOSPHOR BRONZE  
PLATED NICKEL 70 MICROINCHES MIN

CHIP CAPACITOR MULTILAYER CERAMIC

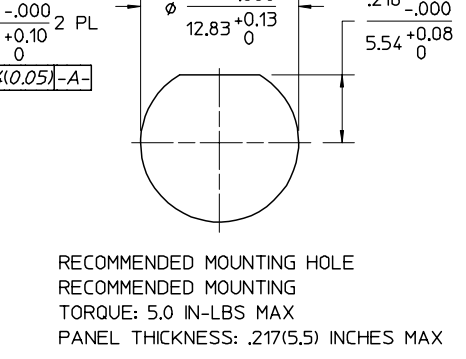
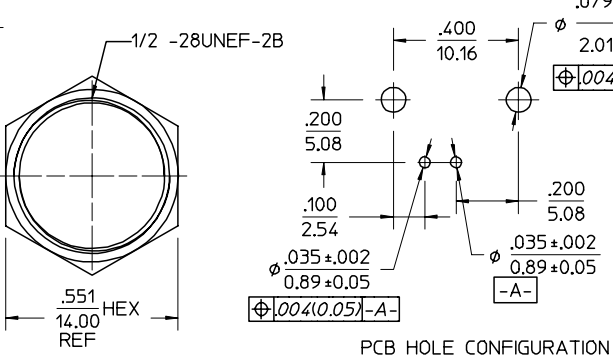
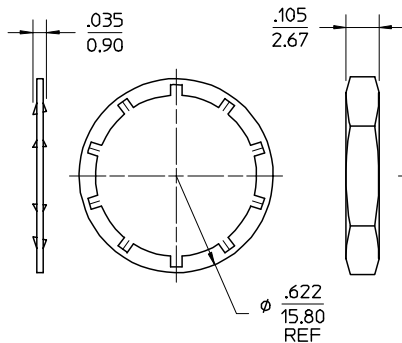
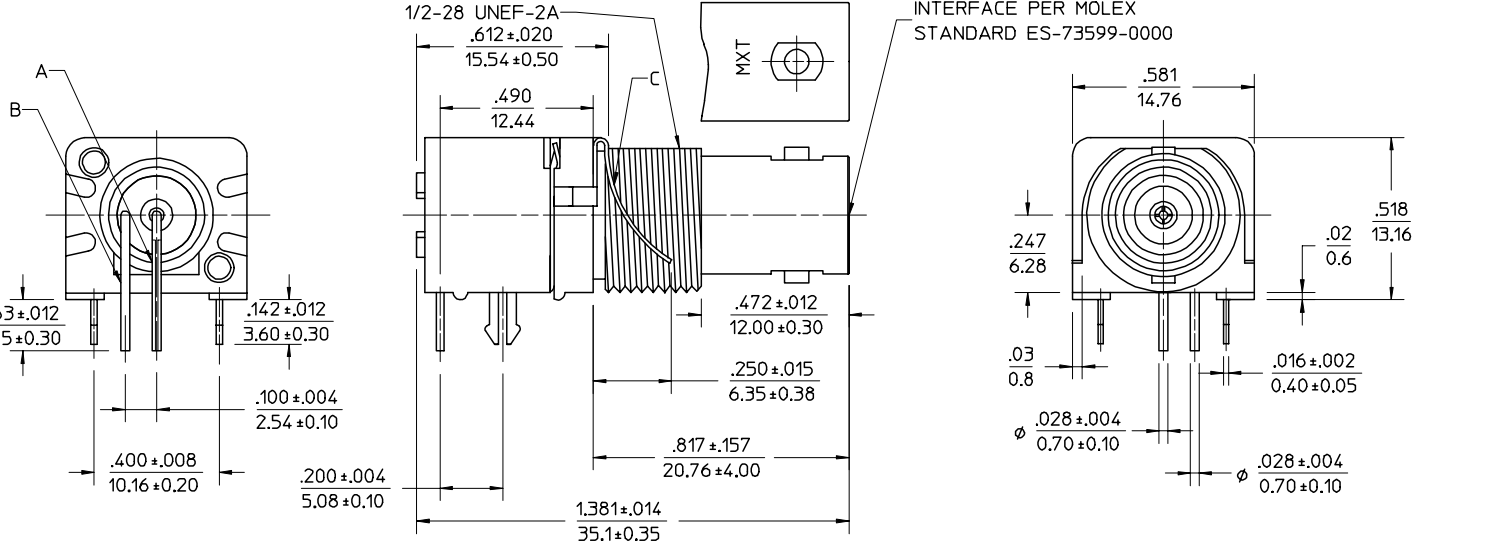
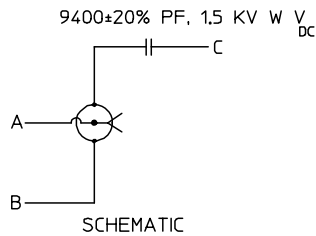
NUT BRASS  
PLATED NICKEL 70 MICROINCHES MIN

WASHER PHOSPHOR BRONZE  
PLATED NICKEL 70 MICROINCHES MIN

MECHANICAL & ELECTRICAL CHARACTERISTICS:  
PER PS-73598-0010

PACKAGING:  
TRAY PACKAGING

PART # 73100-0162



CHG DIM 0.7±0.1WAS ±0.05	QUALITY SYMBOLS ▽=0 ▽=0	GENERAL TOLERANCES (UNLESS SPECIFIED)		DIMENSION STYLE IN/MM		SCALE ---	DESIGN UNITS METRIC	THIRD ANGLE PROJECTION	
		4 PLACES ± --- ± ---	3 PLACES ± --- ± ---	2 PLACES ± 0.25 ± ---	1 PLACE ± 0.25 ± ---	ANGULAR ± 3 °	DRAWN BY ROGER 1994/10/13		
EC NO: URF2005-0059	DESCRIPTION	DRAFT WHERE APPLICABLE MUST REMAIN WITHIN DIMENSIONS		APPROVED BY MIESN 1994/10/23		TITLE 50 OHM FILTER BNC R/A PCB RECEPTACLE BNC-PCB/RA/BK			
DRAWN: CLLI 2004/10/04	REV	MATERIAL NO. 73100-0162		DOCUMENT NO. SD-73100-0162		MOLEX INCORPORATED			
CHKD: MIUANG 2004/10/04		SIZE A3		SHEET NO. 1 OF 1		THIS DRAWING CONTAINS INFORMATION THAT IS PROPRIETARY TO MOLEX INCORPORATED AND SHOULD NOT BE USED WITHOUT WRITTEN PERMISSION			
APPR: MIUANG 2004/10/06									