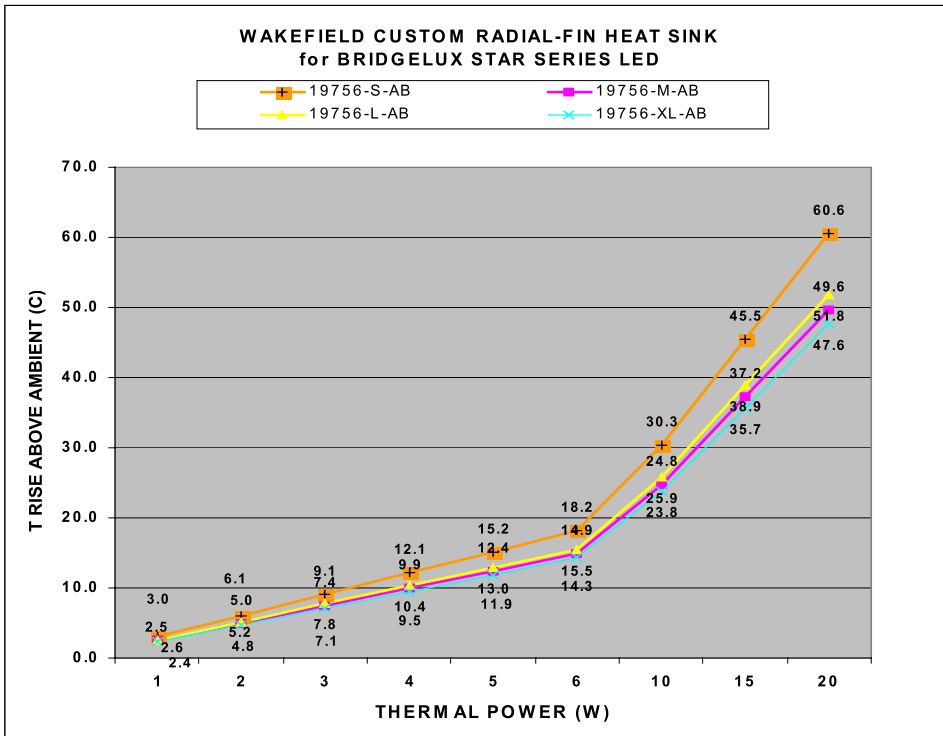
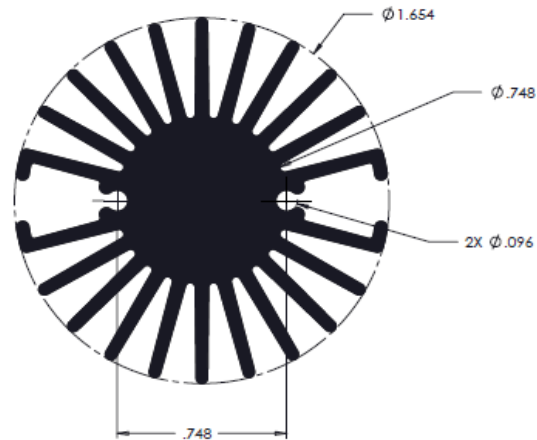


Data Sheet

19756 Series--- CUSTOM RADIAL-FIN HEAT SINK

BRIDGELUX P/N	Form factor	WAKEFIELD P/N	HS Length (in)	Electrical (W)	Thermal (W)	HS TR (C/W)	T RISE (C)
BXRA-C0402-0000	Star	19756-S-AB	2	5.5	4.1	3.03	12.5
BXRA-W0402-0000	Star	19756-M-AB	2.75	7.5	5.6	2.48	13.9
BXRA-W0401-0000	Star	19756-L-AB	3	10	7.5	2.59	19.4
BXRA-W0403-00000	Star	19756-XL-AB	3.25	12	9	2.38	21.4
BXRA-C0603-00000	Star	19756-XL-AB	3.25	12	9	2.38	21.4

- Manufactured Specifically for BRIDGELUX LED Light Engines
- Light Weight Aluminum Construction
- Radial-Fin Geometry Optimized for Natural Convection
- Black Anodized for Maximum Thermal Performance
- Mounting Features as part of Extrusion – Easy Mounting with Standard Hardware
- Size and Level of Performance - Matched to Specific LED Requirements



Our customers are reminded that they bear the responsibility for testing Wakefield Thermal Solution's products for proposed use. Any information furnished by WTS is believed to be accurate and reliable, but all customers must bear all for use and applications of WTS products. WTS MAKES NO WARRANTIES EXPRESSED OR IMPLIED, AS TO THE FITNESS, MERCHANTABILITY, OR SUITABILITY OF ANY WTS PRODUCTS FOR ANY SPECIFIC OR GENERAL USES. WTS SHALL NOT BE LIABLE FOR INCIDENTAL OR CONSEQUENTIAL DAMAGES OF ANY KIND.