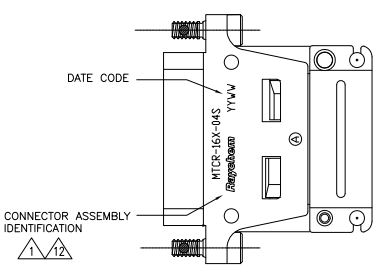
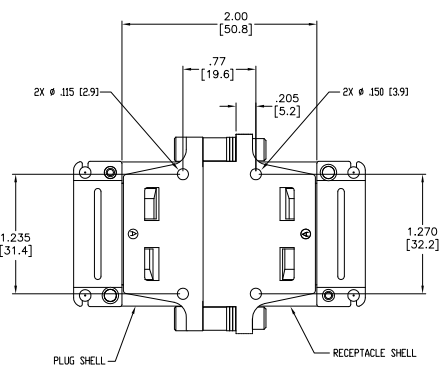
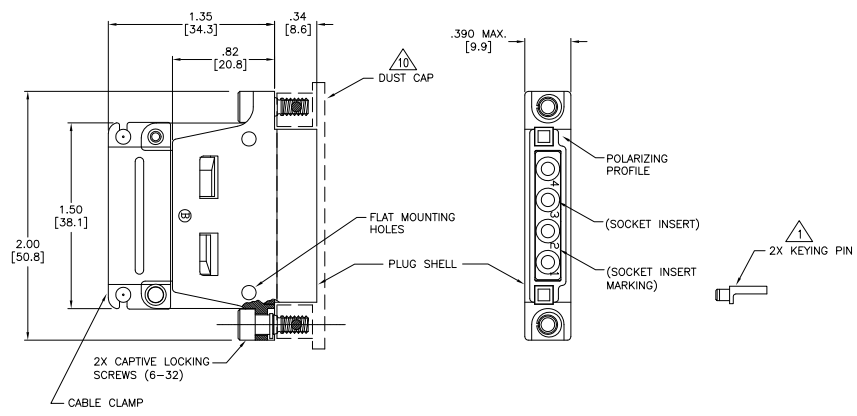


THIS DRAWING AND THE INFORMATION SET FORTH HEREON ARE THE PROPERTY OF TYCO ELECTRONICS, AND ARE TO BE HELD IN TRUST AND CONFIDENCE. PUBLICATION, DUPLICATION, DISCLOSURE, OR USE FOR ANY PURPOSE NOT EXPRESSLY AUTHORIZED IN WRITING BY TYCO ELECTRONICS IS PROHIBITED.

REVISIONS			
LTR	DESCRIPTION	DATE	APPROVED
F	REVISED PER ECN T-19858	2/14/95	R.H.
F1	PER ECO-11-016179	Aug/8/2011	M.HIGGY



IDENTIFICATION VIEW

TABLE II		
KEYING CODE CHART		
PART NUMBERS	POSITION OF KEYS	
MTCR-16X-04S	-A A-	
	-A B-	
	-A C-	
	-A D-	
	-B A-	
	-B B-	
	-B C-	
	-B D-	
	-C A-	
	-C B-	
	-C C-	
	-C D-	
	-D A-	
	-D B-	
	-D C-	
	-D D-	

TABLE I			
SOCKET CONTACT AND TOOLING INFORMATION			
CONTACT TYPE	MILITARY P/N	WIRE STRIP LENGTH	TERMINATION TOOL
SHIELDED CONTACT FOR COAX CABLE D-602-0107 OR D-602-0095	—	SEE DRAWING D-602-0107 OR D-602-0095	SEE DRAWING D-602-0107 OR D-602-0095
CONTACT FOR TWISTED PAIR D-602-0105	—	SEE DRAWING D-602-0105	SEE DRAWING D-602-0105
POWER CONTACT SIZE 12	M39029/5 12-12	1/4" TO 5/16"	M22520/1-01 POSITIONER M22520/1-02

If this document is printed it becomes uncontrolled. Check for the latest revision

- NOTES:
- KEYING CODE DOES NOT FORM A PART OF RAYCHEM PART NUMBER SYSTEM AND SHOULD BE OMITTED WHEN ORDERING. KEYING PINS SUPPLIED UN-INSTALLED. SEE TABLE II FOR KEYING POSITIONS.
 - COMPLETE CONNECTORS AND ACCESSORIES ARE INDIVIDUALLY BAGGED AND LABELED.
 - CONNECTOR IS ENVIRONMENTAL SEALED MEETING THE REQUIREMENTS PER CONNECTOR SPECIFICATION D-6015.
 - REAR GROMMET INSERT WILL SEAL ON SMOOTH INSULATION FROM .097" TO .158" O.D.
 - CONNECTOR DESIGNED FOR USE WITH POWER AND SHIELDED CONTACTS PER TABLE I.
 - INSERTS ARE PERMANENTLY INSTALLED. CONTACTS MAY BE INSERTED AND REMOVED USING TOOL PER NOTE 9.
 - ALL UNUSED CAVITIES TO BE SEALED USING SEALING PLUG NUMBER MS 27488-12.
 - ALL CONTACT SIZE 12 ARE INSERTED AND REMOVED USING TOOL NUMBER M81969/14-04.
 - REFER TO RAYCHEM SPECIFICATION D-6015 FOR COMPLETE DETAILS.
 - CONNECTOR SUPPLIED WITH A SHIPPING DUST CAP OVER ENGAGING END.
 - CONNECTOR MATING REQUIREMENTS: 9 IN. LBS. FOR TORQUE FOR CAPTIVE LOCKING SCREW.

PART NUMBER:
MTCR-16X-04S

- 1 = NICKEL PLATED PER MIL-C-26074
- 3 = CADMIUM PLATED PER QQ-P-416 OVER NICKEL UNDERPLATE

© 2011 Tyco Electronics. All rights reserved.

Raychem MTC CUSTOMER DRAWING

UNLESS OTHERWISE SPECIFIED DIMENSIONS ARE IN INCHES. METRIC DIMENSIONS ARE IN BRACKETS.	DRAWN	ZS.ORBAN	Jul/29/2011	TE Connectivity TITLE 1 INCH CONNECTOR, PLUG, RECTANGULAR ENVIRONMENTAL, FIXED SOCKET INSERT-ONE MTCR SERIES SIZE C CAGE CODE: 06090 DWG. NO. MTCR-16X-04S REV F1 SCALE: NONE SHEET 1 OF 1
	CHECKED			
	APPROVED	M.HIGGY	Jul/29/2011	
	APPROVED			
DECIMALS .XXX ± .005 [.13mm] .XX ± .02 [.5mm]	CAD NAME MTCR-16X-04S			
ANGLES .X ±	THIRD ANGLE PROJECTION			
WEIGHT:				

SHEET MTCR-16X-04S