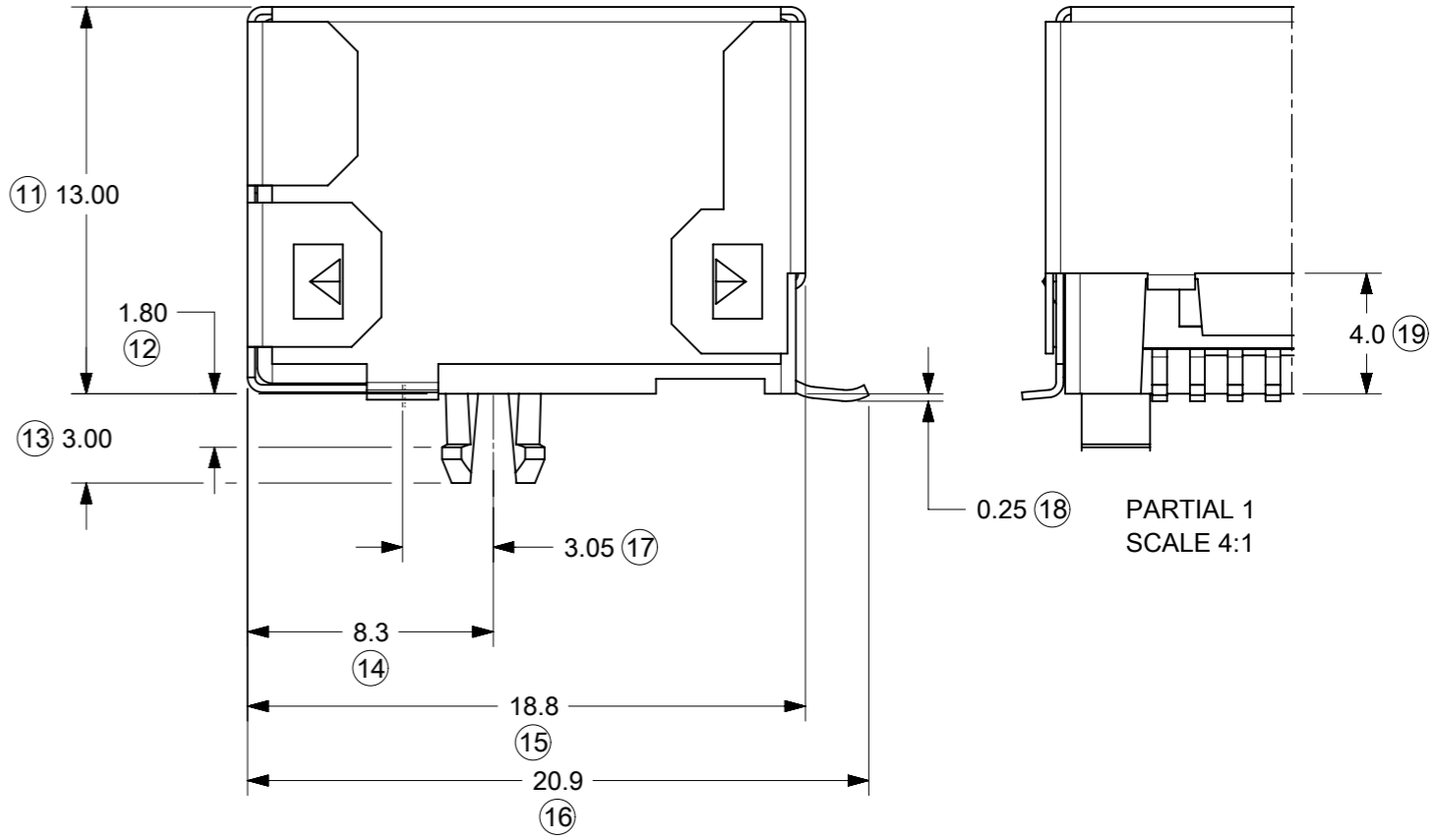
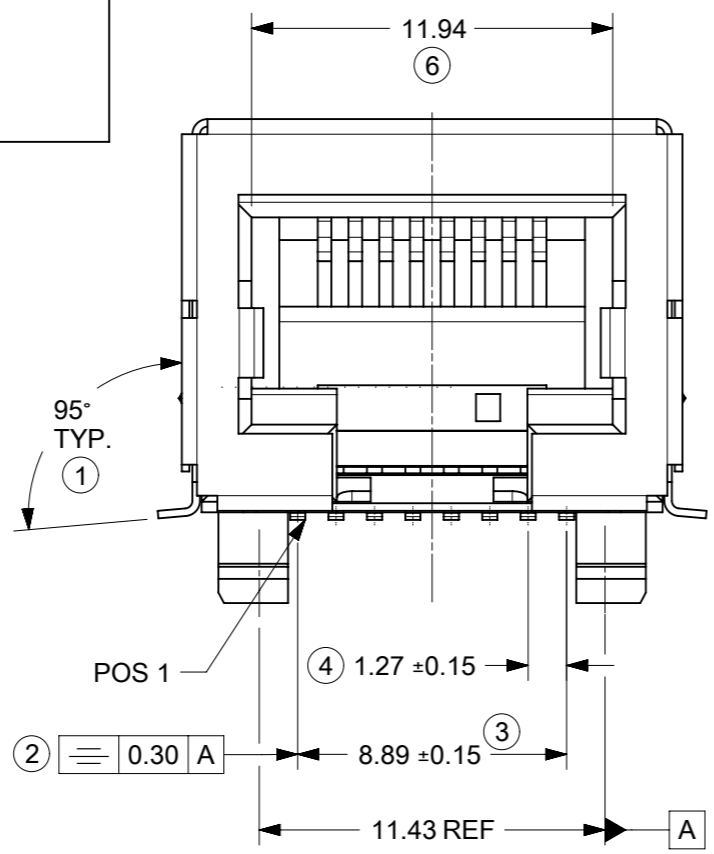
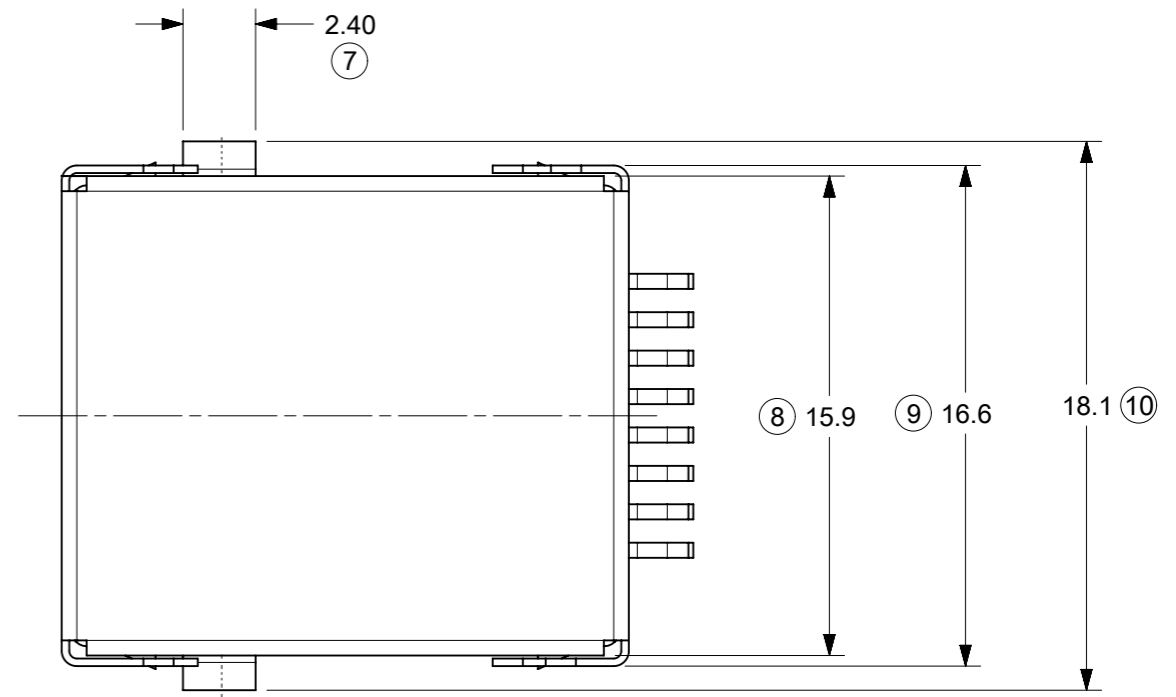
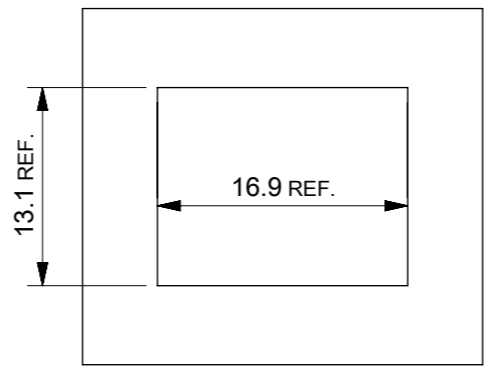


PART NO.	
95622-4881	

SUGGESTED PANEL CUTOUT  
SCALE 2:1



- NOTES:**
- JACK FOR MATING WITH SHIELDED PLUG (MOLEX 95043 AND 85568 SERIES)
  - PRODUCT SPECIFICATION: PS-95622-001
  - PACKAGING SPECIFICATION: PK-95122 SHEET 2 (BLISTER ON REEL)
  - P.C.B THICKNESS: 1.57
  - COPLANARITY OF SIGNAL LEADS: 0.10 MAX.

LAST INSPECTION NO.: 20  
REMOVED INSPECTION NO: 5

**TECHNICAL SPECIFICATIONS:**  
**MATERIAL:**  
HOUSING: LCP GLASS FILLED UL 94-V0,  
COLOUR BLACK.  
TERMINAL: COPPER ALLOY PLATED WITH:  
BASE FINISH: NICKEL  
CONTACT SURFACE FINISH:  
GOLD  
OR  
GOLD FLASH OVER PALLADIUM NICKEL.  
EXCEEDS PRODUCT REQUIREMENTS BASED ON  
PS-95622-001  
SHIELD: COPPER ALLOY PLATED WITH TIN.

THIS DRAWING CONTAINS INFORMATION THAT IS PROPRIETARY TO MOLEX ELECTRONIC TECHNOLOGIES, LLC AND SHOULD NOT BE USED WITHOUT WRITTEN PERMISSION		CURRENT REV DESC: ADDED PANEL CUTOUT		<b>molex</b>	
DIMENSION UNITS	SCALE				
mm	4:1			FULLY SHIELDED SMT R/A MODULAR JACKS 8 CKT	
GENERAL TOLERANCES (UNLESS SPECIFIED)				PRODUCT CUSTOMER DRAWING	
ANGULAR TOL	± 2.0°			DOCUMENT NUMBER	
4 PLACES	±	EC NO: 735778	2022/12/26	SD-95622-006	
3 PLACES	±	DRWN: ASWINA	2023/01/27	DOC TYPE	DOC PART
2 PLACES	± 0.25	CHK'D: KLANG	2023/01/27	PSD	001
1 PLACE	± 0.35	APPR: KLANG		REVISION	E2
0 PLACES	±	INITIAL REVISION:	2006/07/27	SHEET NUMBER	
DRAFT WHERE APPLICABLE MUST REMAIN WITHIN DIMENSIONS		DRWN: DBYRNES	2006/07/27	MATERIAL NUMBER	CUSTOMER
THIRD ANGLE PROJECTION		APPR: EOMAHONY	2006/07/28	SEE CHART	GENERAL MARKET
DRAWING		SERIES	95622	1 OF 1	
A3-SIZE					

DOCUMENT STATUS	P1	RELEASE DATE	2023/01/27	00:26:06
-----------------	----	--------------	------------	----------