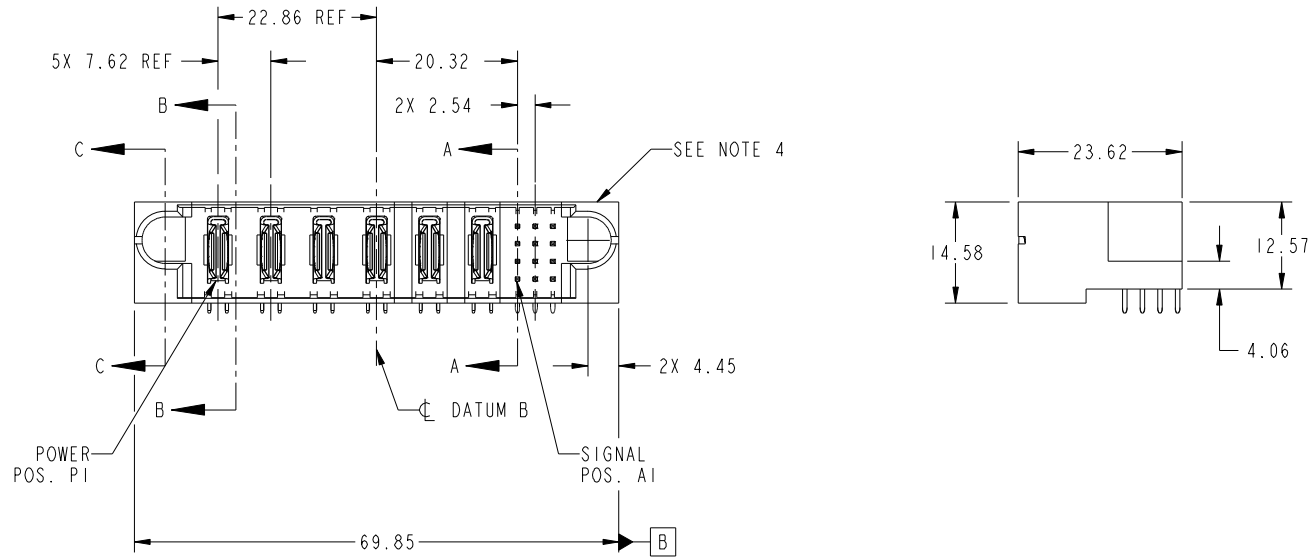


Tous droits strictement réservés. Reproduction ou communication a des tiers interdite sous quelque forme que ce soit sans autorisation écrite du propriétaire. Propriete de c FCI. Droits de reproduction FCI.



All rights strictly reserved. Reproduction or issue to third parties in any form whatever is not permitted without written authority from the proprietor. Property of FCI. Copyright FCI.

PRODUCT NO.	ROWS	POWER						SIGNAL			E2	
		E1	P1	P2	P3	P4	P5	P6	1	2		3
51939-508... NOTE 3	D C B A		PA	PA	PA	PA	PA	PA	UUU	TTT	RRR	



CODE	DIM "M" MATING LENGTH	CONTACT TYPE
U	[6.86]	SIGNAL
T	[6.86]	SIGNAL
S	[6.86]	SIGNAL
R	[6.86]	SIGNAL
PA	[12.27]	POWER

mat'l code				SEE NOTE		tolerances unless otherwise specified		CUSTOMER		FCI	
ltr	ecn no.	dr	date	linear	0.X ± 0.5	projection		COPY		www.fciconnect.com	
A	DG10-0104	ZWL	03/16/10	angles	0.XX ± 0.25	MIM		title		6ACP + 12S	
				dr	0.XXX ± 0.1	scale		product family		PwrBlade	
				enr	0° ± 2°	1:1		size		code	
				chr	WL ZHANG 03/16/10			dwg no		213	
				appd	WL ZHANG 03/16/10			51939-508		sheet	
					PM ZHENG 03/16/10			A		1 of 4	
					JOSEPH HSIA 03/16/10						
sheet index	revision sheet	A	A	A	A						
		1	2	3	4						

cage code 22526

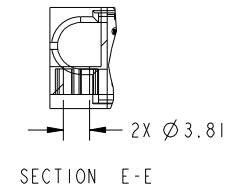
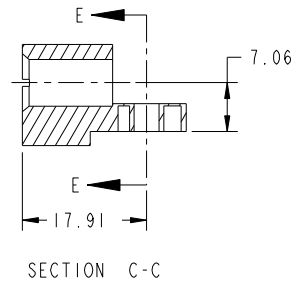
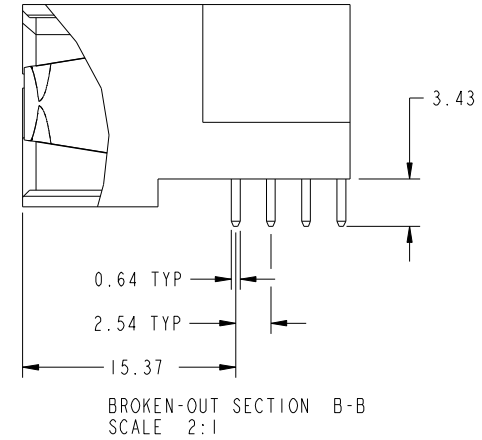
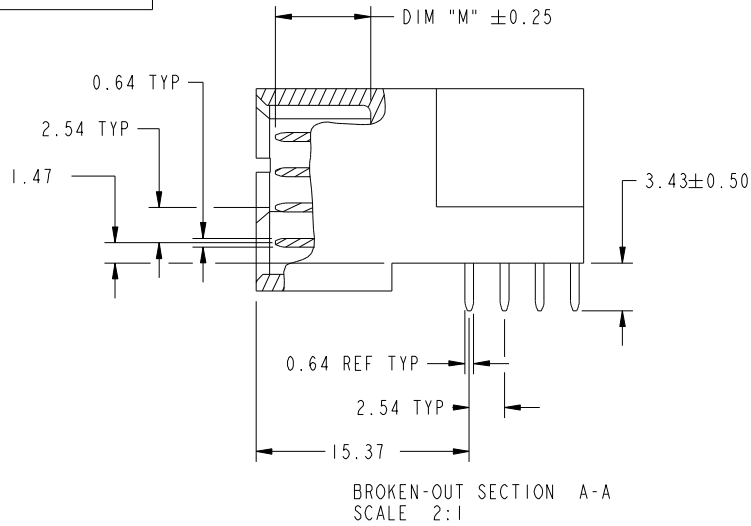
Pro/E

Tous droits strictement reserves. Reproduction ou communication a des tiers interdite sous quelque forme que ce soit sans autorisation écrite du propriétaire. Propriete de c FCI. Droits de reproduction FCI.

All rights strictly reserved. Reproduction or issue to third parties in any form whatever is not permitted without written authority from the proprietor. Property of FCI. Copyright FCI.



PRODUCT NUMBER
51939-508..
NOTE: 3



mat'l code				SEE NOTE		tolerances unless otherwise specified		CUSTOMER		FCI	
ltr	ecn no.	dr	date	linear	0.X ±0.5	COPY		www.fciconnect.com		title	
A					0.XX ±0.25	projection		6ACP + 12S		RIGHT ANGLE SOLDER HEADER	
				angles	0.XXX ±0.1			product family		code	
				dr	0° ±2°			PwrBlade		213	
				enr	WL ZHANG 03/16/10	scale		size		sheet	
				chr	WL ZHANG 03/16/10	1:1		dwg no		2 of 4	
				appd	PM ZHENG 03/16/10			A		51939-508	
					JOSEPH HSIA 03/16/10						
sheet index	revision sheet										

cage code 22526

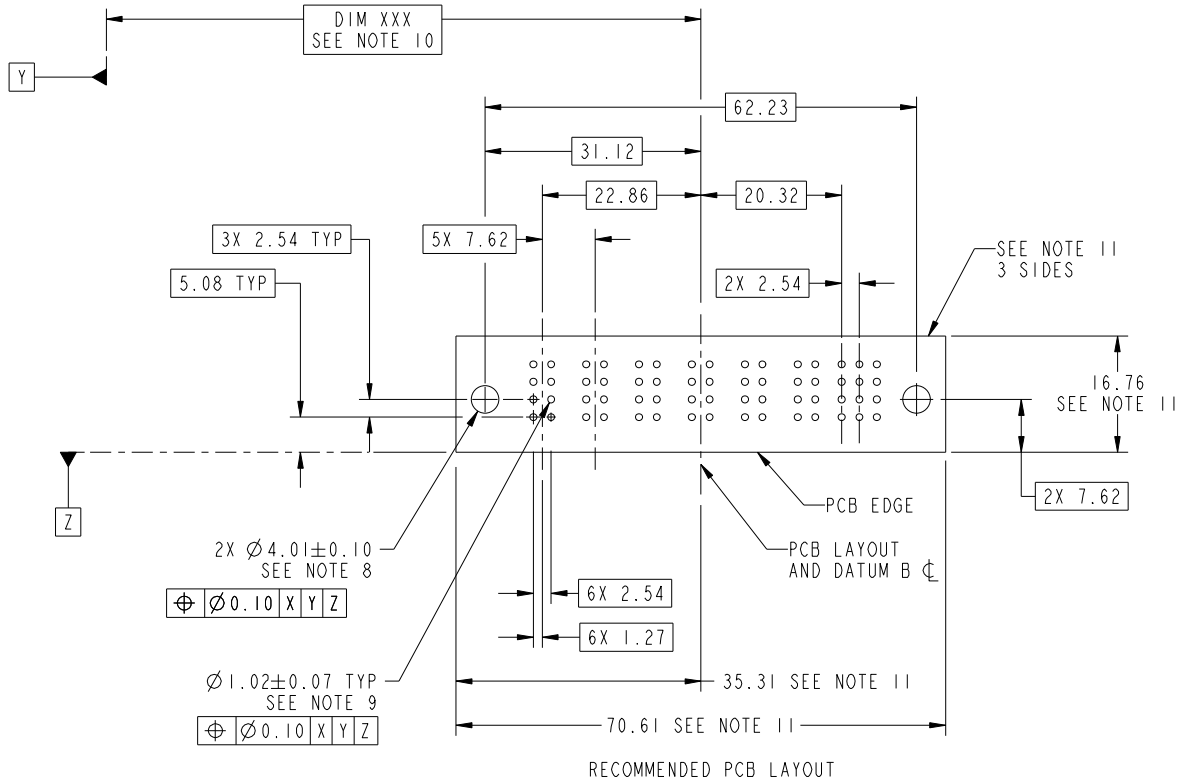
Pro/E

Tous droits strictement reserves. Reproduction ou communication a des tiers interdite sous quelque forme que ce soit sans autorisation écrite du propriétaire. Propriete de c FCI. Droits de reproduction FCI.

All rights strictly reserved. Reproduction or issue to third parties in any form whatever is not permitted without written authority from the proprietor. Property of FCI. Copyright FCI.



PRODUCT NUMBER
51939-508--
NOTE: 3



RECOMMENDED PCB LAYOUT

mat'l code				SEE NOTE		tolerances unless otherwise specified		CUSTOMER		FCI www.fciconnect.com	
ltr	ecn no.	dr	date	linear	0.X ±0.5	COPY		projection		title	
A					0.XX ±0.25					6ACP + 12S RIGHT ANGLE SOLDER HEADER	
				angles	0.XXX ±0.1					product family	
				dr	0° ±2°	MIM				PwrBlade	code
				enr	WL ZHANG 03/16/10	← MIM →		size		213	sheet
				chr	WL ZHANG 03/16/10	scale		A		51939-508	3 of 4
				appd	PM ZHENG 03/16/10	1:1					
					JOSEPH HSIA 03/16/10						
sheet index	revision sheet										

cage code 22526

Pro/E

Tous droits strictement reserves. Reproduction ou communication a des tiers interdite sous quelque forme que ce soit sans autorisation écrite du propriétaire. Propriete de c FCI. Droits de reproduction FCI.



All rights strictly reserved. Reproduction or issue to third parties in any form whatever is not permitted without written authority from the proprietor. Property of FCI. Copyright FCI.

PRODUCT NUMBER
51939-508_
NOTE: 3

NOTES:

1. DIMENSIONS AND TOLERANCES ARE IN ACCORDANCE WITH ASME Y14.5M, 1994 UNLESS OTHERWISE SPECIFIED.

CONNECTOR NOTES:

- 2. HOUSING MATERIAL: UL 94 V-0 GLASS FILLED HIGH-TEMP THERMOPLASTIC
POWER CONTACT MATERIAL: COPPER ALLOY
SIGNAL PIN MATERIAL: COPPER ALLOY
- 3. PLATING SPEC.
SEE ITEM 1 & 2 IN PRINT 10064183 FOR PLATING SPEC OF 51939-508; 51939-508LF PRESPECTIVELY
- 4. MANUFACTURER'S NAME, DATE CODE AND OPTIONAL P/N TO APPEAR ON THIS SURFACE. THE P/N CAN BE OMITTED IF THERE IS NOT ENOUGH SPACE ON THIS SURFACE.
- 5. PRODUCT SPECIFICATION GS-12-149.
APPLICATION SPECIFICATION BUS-20-067.
- 6. PACKAGED IN TRAYS.

PCB NOTES:

- 7. ALL HOLE DIAMETERS ARE FINISHED HOLE SIZE.
- 8. MOUNTING HOLES, WHERE APPLICABLE, ARE UNPLATED.
- 9. $\varnothing 1.151 \pm 0.025$ DRILLED HOLES PLATED WITH 0.008 MIN SnPb OR Sn OVER 0.03 TO 0.08 Cu PLATING TO ACHIEVE $\varnothing 1.02 \pm 0.07$ HOLE.
- 10. "DIM XXX" TO BE DETERMINED BY THE CUSTOMER.
- 11. CONNECTOR KEEP-OUT ZONE.

mat'l code		SEE NOTE		tolerances unless otherwise specified		CUSTOMER		FCI		www.fciconnect.com	
ltr	ecn no.	dr	date	linear	0.X ± 0.5	COPY				title	
A					0.XX ± 0.25	projection				6ACP + 12S	
				angles	0.XXX ± 0.1					RIGHT ANGLE SOLDER HEADER	
				dr	WL ZHANG 03/16/10	MIM		product family		PwrBlade	code
				enrg	WL ZHANG 03/16/10			size		dwg no	213
				chr	PM ZHENG 03/16/10	scale		A		51939-508	sheet
				appd	JOSEPH HSIA 03/16/10	1:1				4 of 4	
sheet index	revision sheet										

cage code 22526

Pro/E