



8-Channel, 10-Bit, 65MSPS, 1.8V CMOS ANALOG-TO-DIGITAL CONVERTER

FEATURES

- 8 DIFFERENTIAL ANALOG INPUTS
- 1V_{PP} DIFFERENTIAL INPUT RANGE
- INT/EXT VOLTAGE REFERENCE
- ANALOG/DIGITAL SUPPLY: 1.8V
- DIGITAL I/O SUPPLY: 1.8V/3.3V
- DIFFERENTIAL NONLINEARITY: ±0.4LSB
- INTEGRAL NONLINEARITY: ±1.0LSB
- SIGNAL-TO-NOISE: 59dB at f_{IN} = 20MHz
- POWER DISSIPATION: 733mW
- INDIVIDUAL CHANNEL POWER-DOWN
- 257-LEAD, 0.8 BALL PITCH, PLASTIC MicroSTAR BGA™ (16mm • 16mm)

APPLICATIONS

- PORTABLE ULTRASOUND
- PORTABLE INSTRUMENTATION

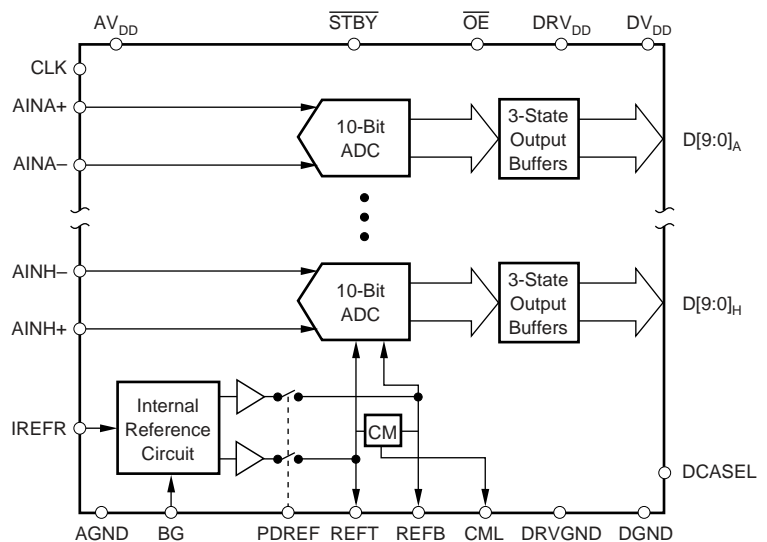
DESCRIPTION

The ADS5122 is a low-power, 8-channel, 10-bit, 65MSPS CMOS Analog-to-Digital Converter (ADC) that operates from a single 1.8V supply, while offering 1.8V and 3.3V digital I/O flexibility. A single-ended input clock is used for simultaneous sampling of up to eight analog differential input channels. The flexible duty cycle adjust circuit (DCASEL) allows the use of a non-50% clock duty cycle. Individual standby pins allow users the ability to power-down any number of ADCs.

The internal reference can be bypassed to use an external reference to suit the accuracy and temperature drift requirements of the application. A 10-bit parallel bus on eight channels is provided with 3-state outputs.

The speed, resolution, and low power of the ADS5122 make it ideal for applications requiring high-density signal processing in low-power environments.

The ADS5122 is characterized for operation from –40°C to +85°C.



Please be aware that an important notice concerning availability, standard warranty, and use in critical applications of Texas Instruments semiconductor products and disclaimers thereto appears at the end of this data sheet.

MicroSTAR BGA is a trademark of Texas Instruments. All other trademarks are the property of their respective owners.

ABSOLUTE MAXIMUM RATINGS⁽¹⁾

| | |
|--|-----------------------------------|
| Supply Voltage: AV _{DD} to AGND, DV _{DD} to DGND | -0.3V to +2.2V |
| DRV _{DD} to DRGND | -0.3V to +4.0V |
| AGND to DGND | -0.3V to +0.3V |
| AV _{DD} to DV _{DD} | -2.2V to +2.2V |
| Reference Voltage Input Range REFT, REFB to AGND ... | -0.3V to AV _{DD} + 0.3V |
| Analog Input Voltage Range AIN to AGND | -0.3V to AV _{DD} + 0.3V |
| Clock Input CLK to DGND | -0.3V to DRV _{DD} + 0.3V |
| Digital Input to DGND | -0.3V to DV _{DD} + 0.3V |
| Digital Outputs to DRGND | -0.3V to DRV _{DD} + 0.3V |
| Operating Temperature Range (T _J) | 0°C to +105°C |
| Storage Temperature Range (T _{STG}) | -65°C to +150°C |

NOTE: (1) Stresses above those listed under *Absolute Maximum Ratings* may cause permanent damage to the device. Exposure to absolute maximum conditions for extended periods may affect device reliability.



ELECTROSTATIC DISCHARGE SENSITIVITY

This integrated circuit can be damaged by ESD. Texas Instruments recommends that all integrated circuits be handled with appropriate precautions. Failure to observe proper handling and installation procedures can cause damage.

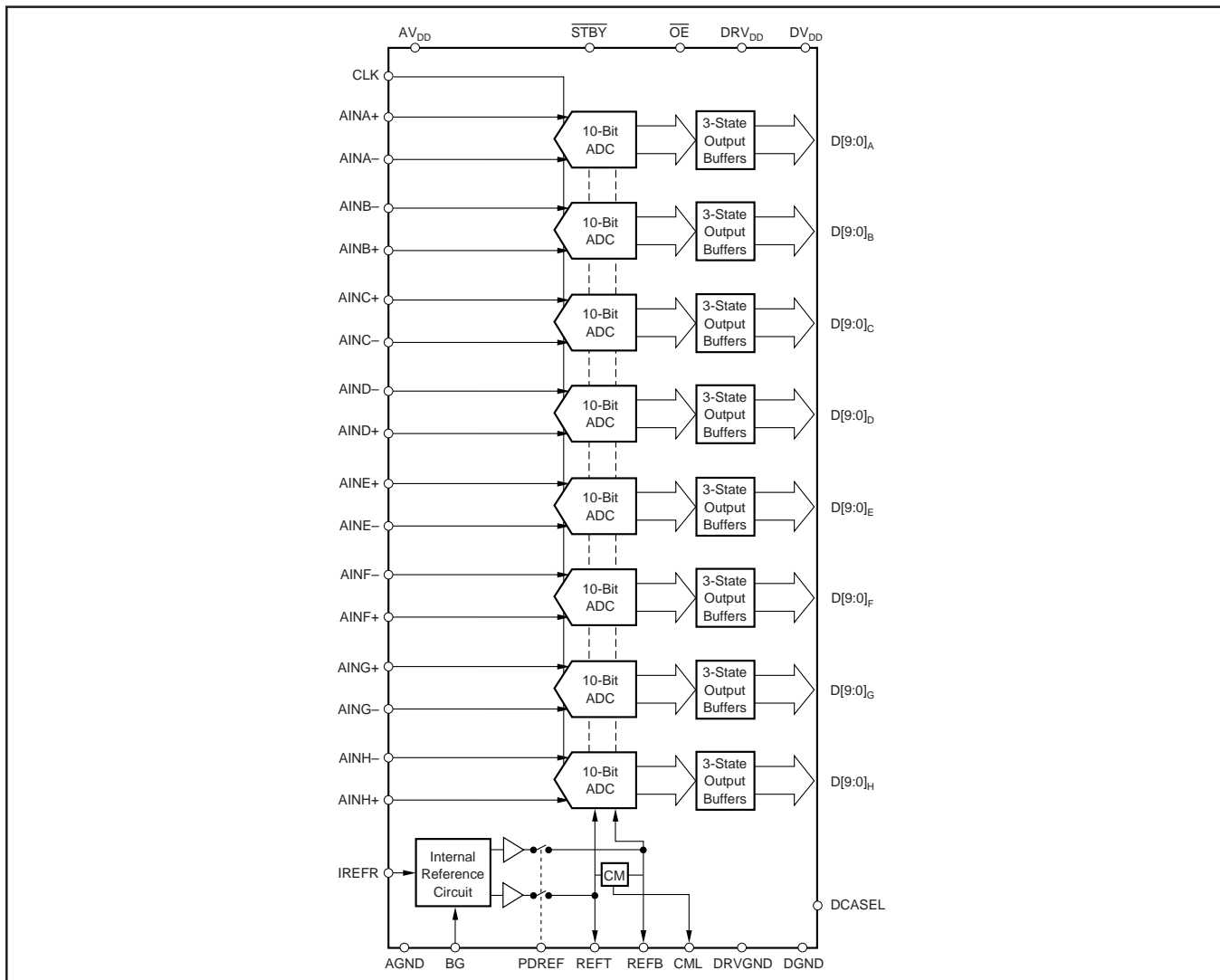
ESD damage can range from subtle performance degradation to complete device failure. Precision integrated circuits may be more susceptible to damage because very small parametric changes could cause the device not to meet its published specifications.

PACKAGE/ORDERING INFORMATION⁽¹⁾

| PRODUCT | PACKAGE-LEAD | PACKAGE DESIGNATOR | SPECIFIED TEMPERATURE RANGE | PACKAGE MARKING | ORDERING NUMBER | TRANSPORT MEDIA, QUANTITY |
|---------|--------------------------|--------------------|-----------------------------|-----------------|-----------------|---------------------------|
| ADS5122 | MicroSTAR BGA-257 | GHK | 0°C to +70°C | ADS5122CGHK | ADS5122CGHK | Tray, 90 |
| ADS5122 | ROHS-Compliant Microstar | ZHK | 0°C to +70°C | ADS5122CZHK | ADS5122CZHK | Tray, 90 |
| ADS5122 | MicroSTAR BGA-257 | GHK | -40°C to +85°C | ADS5122IGHK | ADS5122IGHK | Tray, 90 |
| ADS5122 | ROHS-Compliant Microstar | ZHK | -40°C to +85°C | ADS5122IZHK | ADS5122IZHK | Tray, 90 |

NOTE: (1) For the most current package and ordering information, see the Package Option Addendum at the end of this document, or see the TI website at www.ti.com.

BLOCK DIAGRAM



DC CHARACTERISTICS

$AV_{DD} = DV_{DD} = 1.8V$, $DRV_{DD} = 3.3V$, 50% Clock Duty Cycle, $CLK = 40MSPS$, Analog Input at $-0.5dBFS$ Input Span, Internal Voltage Reference, $I_{REFR} = 6.8k\Omega$, $T_{MIN} = -40^{\circ}C$, $T_{MAX} = +85^{\circ}C$, and typical values at $T_A = 25^{\circ}C$, unless otherwise noted.

| PARAMETER | CONDITION | ADS5122 | | | UNITS | |
|--|--------------------------------------|--------------------|-----------------|-----------|------------------|------|
| | | MIN | TYP | MAX | | |
| RESOLUTION | | | 10 | | Bits | |
| DC ACCURACY | | | | | | |
| Differential Nonlinearity (DNL) | External Reference | -0.9 | ± 0.4 | +1.0 | LSB | |
| Integral Nonlinearity (INL) | | -2.5 | ± 1.0 | +2.5 | LSB | |
| No Missing Codes | | Tested | | | | |
| Gain Error | | -1.0 | 0.1 | +1.0 | %FSR | |
| Offset Error | | External Reference | | 0.2 | +2.5 | %FSR |
| Gain Temperature Coefficient | | | | 6 | ppm/ $^{\circ}C$ | |
| Gain Matching | | | | ± 0.7 | %FSR | |
| ANALOG INPUT | | | | | | |
| Input Voltage Range (AIN+, AIN-) | $f_{CLK} = 65MSPS$ | REFB | | REFT | V | |
| Input Voltage, Differential Full-Scale | | | 1 | | V_{PP} | |
| Input Common-Mode Range | | | (REFT + REFB)/2 | | V | |
| Input Resistance, R_{IN} | | | 20 | | k Ω | |
| Input Capacitance, C_{IN} | | | 5 | | pF | |
| INTERNAL REFERENCE VOLTAGES | | | | | | |
| Reference, Top (REFT) | | 1.30 | 1.35 | 1.42 | V | |
| Reference, Bottom (REFB) | | 0.76 | 0.82 | 0.87 | V | |
| Int Reference Temperature Coefficient | | | 10 | | ppm/ $^{\circ}C$ | |
| EXTERNAL REFERENCE GENERATION | | | | | | |
| Reference, Top (REFT) | | 1.15 | 1.25 | 1.35 | V | |
| Reference, Bottom (REFB) | | 0.65 | 0.75 | 0.85 | V | |
| Input Resistance, $REFR_{IN}$ (between REFB and REFT) | | | 80 | | Ω | |
| POWER SUPPLY | | | | | | |
| Operating Supply Current, I_{DD} | $f_{IN} = 3.5MHz$ | | 357 | 375 | mA | |
| Analog Operating Supply Current, $I_{AV_{DD}}$ | | | 226 | 245 | mA | |
| Digital Operating Supply Current, IDV_{DD} | | | 64 | 74 | mA | |
| Driver Operating Supply Current, $IDRV_{DD}$ | $C_L = 20pF, 3.3V$ | | 60 | 70 | mA | |
| | $C_L = 20pF, 1.8V$ | | 31 | 40 | mA | |
| Operating Voltage | | | | | | |
| AV_{DD} | | 1.65 | 1.8 | 2.0 | V | |
| DV_{DD} | | 1.65 | 1.8 | 2.0 | V | |
| DRV_{DD} | | 1.65 | 1.8 | 3.6 | V | |
| Power Dissipation | $DRV_{DD} = 3.3V$ | | 733 | 800 | mW | |
| | $DRV_{DD} = 1.8V$ | | 590 | 615 | mW | |
| Power Standby | CLK Running | | 68 | | mW | |
| | CLK Stopped | | 54 | | mW | |
| | PDREF = 1, External REF, CLK Running | | 14 | 18 | mW | |
| | PDREF = 1, External REF, CLK Stopped | | 1.6 | 5 | mW | |
| Power-Supply Rejection Ratio, PSRR | $\pm 5\%$, AV_{DD} | | 5 | | mV/V | |

DC CHARACTERISTICS

$AV_{DD} = DV_{DD} = 1.8V$, $DRV_{DD} = 3.3V$, 50% Clock Duty Cycle, $CLK = 40MSPS$, Analog Input at $-0.5dBFS$ Input Span, Internal Voltage Reference, $I_{REFR} = 6.8k\Omega$, $T_{MIN} = -40^{\circ}C$, $T_{MAX} = +85^{\circ}C$, and typical values at $T_A = 25^{\circ}C$, unless otherwise noted.

| PARAMETER | CONDITION | ADS5122 | | | UNITS |
|--|------------------------|-----------------------|-----|-----------------------|---------|
| | | MIN | TYP | MAX | |
| DIGITAL INPUTS (\overline{STBY} A-H, PDREF, \overline{OE}, CLK) | $DRV_{DD} = 3.3V/1.8V$ | | | | |
| High-Level Input Voltage, V_{IH} | $V_{IH} = DRV_{DD}$ | $0.70 \cdot DRV_{DD}$ | | $0.25 \cdot DRV_{DD}$ | V |
| Low-Level Input Voltage, V_{IL} | $V_{IL} = 0V$ | | | | |
| High-Level Input Current, I_{IH} | | | | ± 1 | μA |
| Low-Level Input Current, I_{IL} | | | | ± 1 | μA |
| DIGITAL INPUTS (DCASEL) | | | | | |
| High-Level Input Voltage, V_{IH} | $V_{IH} = DV_{DD}$ | $0.70 \cdot DV_{DD}$ | | $0.25 \cdot DV_{DD}$ | V |
| Low-Level Input Voltage, V_{IL} | $V_{IL} = 0V$ | | | | |
| High-Level Input Current, I_{IH} | | | | ± 1 | μA |
| Low-Level Input Current, I_{IL} | | | | ± 1 | μA |
| DIGITAL OUTPUTS ($DRV_{DD} = 3.3/1.8V$) | | | | | |
| High-Level Output Voltage, V_{OH} | $I_{OH} = -50\mu A$ | $0.8 \cdot DRV_{DD}$ | | $0.2 \cdot DRV_{DD}$ | V |
| Low-Level Output Voltage, V_{OL} | $I_{OL} = 50\mu A$ | | | | |
| External Load Capacitance, C_L | | | 15 | | pF |
| 3-State Leakage Current, I_{LEAK} | $\overline{OE} = HIGH$ | | | ± 1 | μA |

AC CHARACTERISTICS

$AV_{DD} = DV_{DD} = 1.8V$, $DRV_{DD} = 3.3V$, 50% Clock Duty Cycle, CLK = 65MSPS, Analog Input at $-0.5dBFS$ Input Span, Internal Voltage Reference, $T_{MIN} = -40^{\circ}C$, $T_{MAX} = +85^{\circ}C$, and typical values at $T_A = 25^{\circ}C$, unless otherwise noted.

| PARAMETER | CONDITION | ADS5122 | | | UNITS |
|---|---|---------|------------|-----|---------|
| | | MIN | TYP | MAX | |
| Signal-to-Noise Ratio (SNR) | $f_{IN} = 3.5MHz$ | 56 | 59 | | dB |
| | $f_{IN} = 10MHz$ | 56 | 59 | | dB |
| | $f_{IN} = 20MHz$ | | 59 | | dB |
| Signal-to-Noise and Distortion (SINAD) | $f_{IN} = 3.5MHz$ | 56 | 58 | | dB |
| | $f_{IN} = 10MHz$ | 56 | 58 | | dB |
| | $f_{IN} = 20MHz$ | | 58 | | dB |
| Effective Number of Bits (ENOB) | $f_{IN} = 3.5MHz$ | 9.0 | 9.3 | | Bits |
| | $f_{IN} = 10MHz$ | 9.0 | 9.3 | | Bits |
| | $f_{IN} = 20MHz$ | | 9.3 | | Bits |
| Spurious-Free Dynamic Range (SFDR) | $f_{IN} = 3.5MHz$ | 65 | 72 | | dBc |
| | $f_{IN} = 10MHz$ | 65 | 72 | | dBc |
| | $f_{IN} = 20MHz$ | | 68 | | dBc |
| 2nd-Harmonic Distortion (HD2) | $f_{IN} = 3.5MHz$ | 68 | 83 | | dBc |
| | $f_{IN} = 10MHz$ | 68 | 79 | | dBc |
| | $f_{IN} = 20MHz$ | | 79 | | dBc |
| 3rd-Harmonic Distortion (HD3) | $f_{IN} = 3.5MHz$ | 65 | 72 | | dBc |
| | $f_{IN} = 10MHz$ | 65 | 72 | | dBc |
| | $f_{IN} = 20MHz$ | | 68 | | dBc |
| 2-Tone Intermodulation Distortion (IMD) Channel-to-Channel Crosstalk Effective Resolution Bandwidth Over-Voltage Recovery Time ⁽¹⁾ Differential Gain ⁽¹⁾ Differential Phase ⁽¹⁾ | $f_1 = 4.43MHz$, $f_2 = 4.53MHz$ at $-6.5dB$ $f_{IN} = 10MHz$, $DRV_{DD} = 3.3V$ | | -69 | | dBFS |
| | | | 89 | | dB |
| | | | 30 | | MHz |
| | | | 20 | | ns |
| | | | ± 1 | | % |
| | | | ± 0.25 | | Degrees |

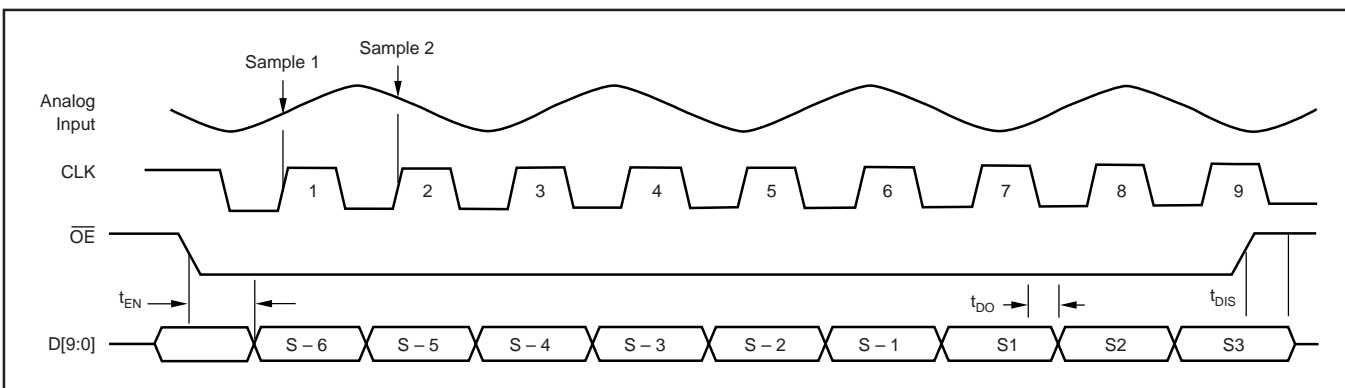
NOTE: (1) Assured by design.

SWITCHING CHARACTERISTICS

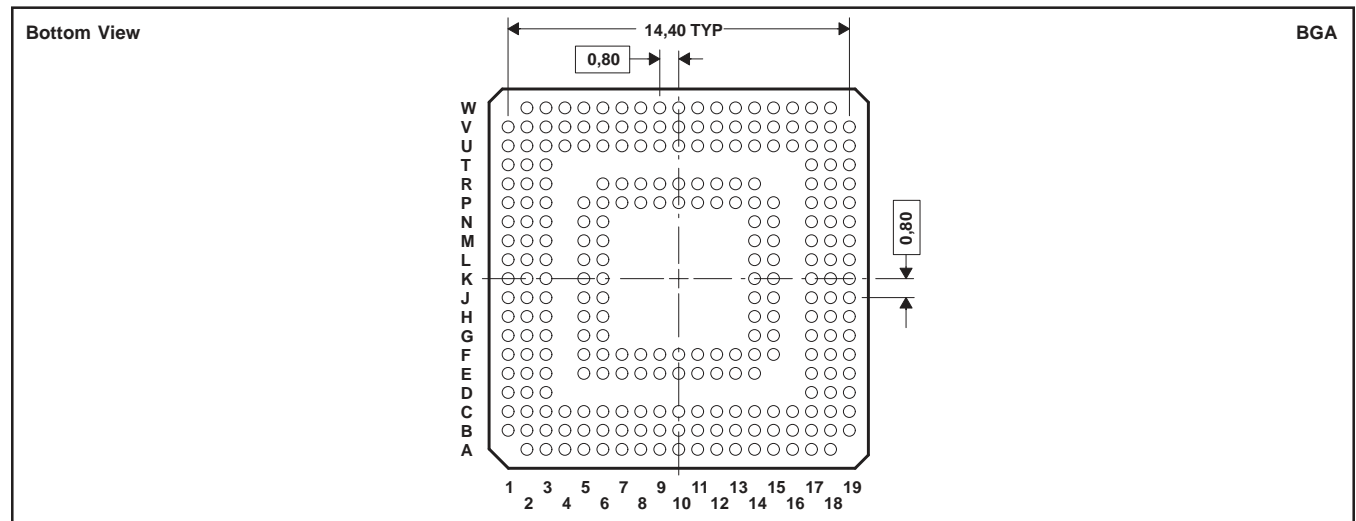
$AV_{DD} = DV_{DD} = 1.8V$, $DRV_{DD} = 3.3V$, 50% Clock Duty Cycle, CLK = 65MSPS, Analog Input at $-0.5dBFS$ Input Span, Internal Voltage Reference, $T_{MIN} = -40^{\circ}C$, and $T_{MAX} = +85^{\circ}C$. Typical values at $T_A = 25^{\circ}C$, unless otherwise noted.

| PARAMETER | CONDITION | ADS5122 | | | UNITS |
|---|----------------|---------|----------|-----|------------|
| | | MIN | TYP | MAX | |
| Maximum Conversion Rate | DCASEL Enabled | 5 | | 65 | MSPS |
| Clock Duty Cycle | | | 30 to 70 | | % |
| Data Latency ⁽¹⁾ | | | 6.5 | | Clk Cycles |
| Clock \downarrow to Data Valid $t_{DO}^{(1)}$ | | | 8 | 10 | ns |
| $\overline{OE} \downarrow$ to Outputs Enabled $t_{EN}^{(1)}$ | | | 8 | | ns |
| $\overline{OE} \uparrow$ Rising to Outputs Tri-Stated t_{DIS} | | | 8 | | ns |
| Aperture Delay | | | 1 | | ns |
| Aperture Uncertainty (Jitter) | | | 2 | | ps, rms |

TIMING DIAGRAM (Per ADC Channel)



PIN CONFIGURATION



PIN DESCRIPTIONS

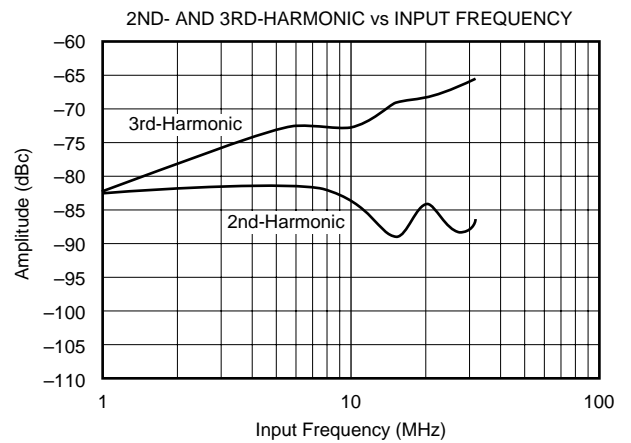
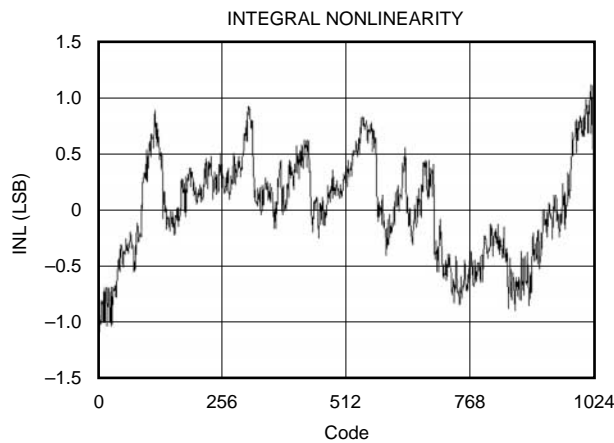
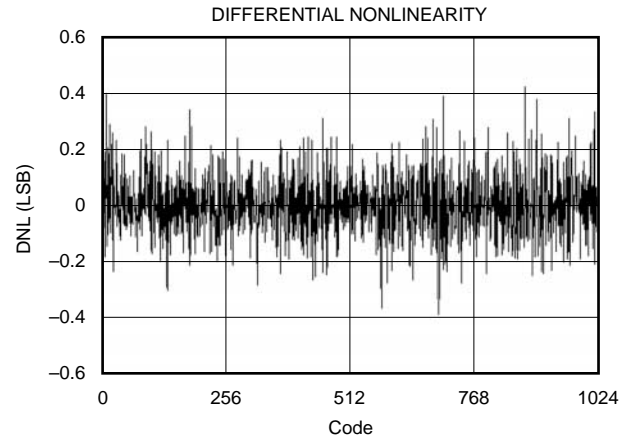
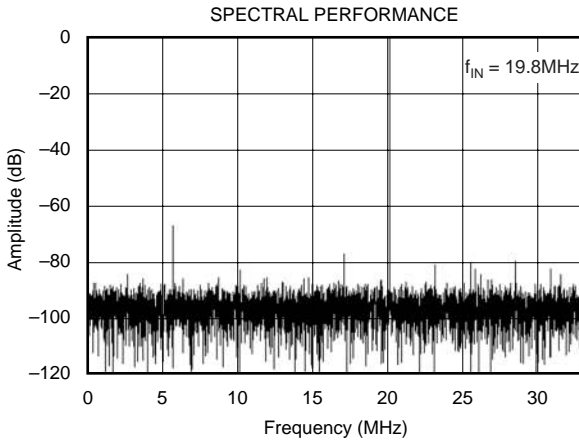
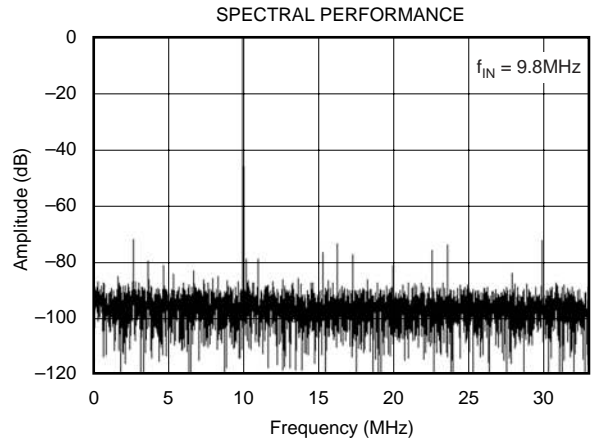
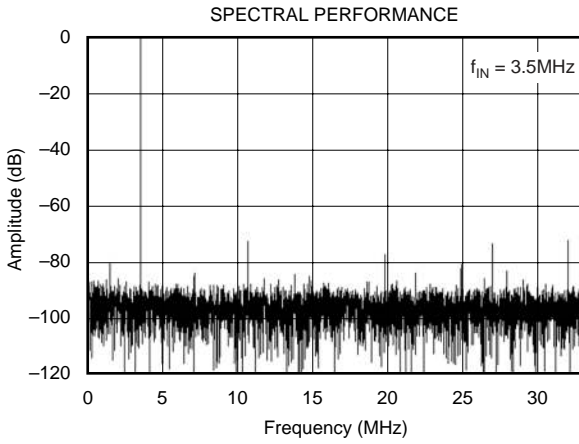
| NAME | PINS | I/O | TERMINAL DESCRIPTION |
|-------------------|--|-----|--|
| AV _{DD} | C6, C7, E6, F1, F2, F3, F5, F6, J6, N3, P3, P5, P6, P7, R6, V6, W6 | I | Analog Supply (1.8V) |
| AGND | A3, A5, B5, B9, C1, C5, C9, E3, E7, F7, G1, G5, G6, H6, J1, J2, M2, N5, N6, P8, R1, R2, R3, R7, U1, U5, U10, V5, V10, W3, W7 | I | Analog Ground |
| AINA+ | U7 | I | Analog Input Channel A |
| AINA- | V7 | I | Complementary Analog Input Channel A |
| AINB+ | W4 | I | Analog Input Channel B |
| AINB- | V4 | I | Complementary Analog Input Channel B |
| AINC+ | T1 | I | Analog Input Channel C |
| AINC- | T2 | I | Complementary Analog Input Channel C |
| AIND+ | P2 | I | Analog Input Channel D |
| AIND- | P1 | I | Complementary Analog Input Channel D |
| AINE+ | G3 | I | Analog Input Channel E |
| AINE- | G2 | I | Complementary Analog Input Channel E |
| AINF+ | D1 | I | Analog Input Channel F |
| AINF- | D2 | I | Complementary Analog Input Channel F |
| AING+ | A4 | I | Analog Input Channel G |
| AING- | B4 | I | Complementary Analog Input Channel G |
| AINH+ | B6 | I | Analog Input Channel H |
| AINH- | A6 | I | Complementary Analog Input Channel H |
| CLK | W9 | I | Clock Input |
| REFT | K3, L1, J3 | I/O | Reference Top |
| REFB | K5, J5, L5 | I/O | Reference Bottom |
| CML | L2, L3 | O | Common-Mode Level Output |
| BG | K1 | I/O | Bandgap Decoupling (Decouple with 0.1µF cap to AGND) |
| IREFR | K6 | I | Internal Reference Bias Current (Connect 4.42kΩ resistor from this pin AGND to set internal bias amplifier current.) |
| DNC | L6 | I | Do Not Connect |
| DNC | M1 | I | Do Not Connect |
| NC | E1, E2, E5, K2, U6, W5 | I | No Internal Connection |
| DCASEL | N2 | I | Duty Cycle Adjust |
| DV _{DD} | C2, C3, C4, D3, E8, F8, H3, H5, M3, M5, R8, T3, U3, U4, U8, V3, P13, R13 P17, L15, J14, F17, F12, E12 | I | Digital Supply (1.8V) |
| DGND | A2, A7, B1, B2, B3, B7, B13, C13, G15, H1, H2, H17, L17, M6, N1, N15, U2, U13, U14, V1, V2, V8, W2, W8 | I | Digital Ground |
| PDREF | V9 | I | Power-Down Ref: 0 = internal reference, 1 = external reference. In external reference mode connect REFT to BG pin. |
| STBY A | W10 | I | Power-Down Channel A |
| STBY B | P9 | I | Power-Down Channel B |
| STBY C | R9 | I | Power-Down Channel C |
| STBY D | U9 | I | Power-Down Channel D |
| STBY E | C8 | I | Power-Down Channel E |
| STBY F | B8 | I | Power-Down Channel F |
| STBY G | A8 | I | Power-Down Channel G |
| STBY H | A9 | I | Power-Down Channel H |
| OE | P10 | I | Enable all Digital Outputs, Ch. A-H. $\overline{\text{OE}}$: 0 = Outputs Enable. $\overline{\text{OE}}$: 1 = Outputs disabled (3-state). |
| DRV _{DD} | B17, C16, D17, E9, E10, E11, E17, F9, H14, H15, K17, L14, N14, P12, P14, P15 R10, R12, R14 | I | Driver Digital Supply (1.8V or 3.3V) |
| DRGND | E13, F10, F11, F13, F14, F15, G14, G17, M14, M15, M17, N17, U11, U12, U15, U16 | I | Driver Digital Ground |

DATA OUTPUT PINS

| NAME | PINS | I/O | TERMINAL DESCRIPTION | NAME | PINS | I/O | TERMINAL DESCRIPTION |
|------|------|-----|-------------------------|------|------|-----|-------------------------|
| D0A | V14 | O | Bit 1, Channel A (LSB) | D0E | F18 | O | Bit 1, Channel E (LSB) |
| D1A | W14 | O | Bit 2, Channel A | D1E | F19 | O | Bit 2, Channel E |
| D2A | V13 | O | Bit 3, Channel A | D2E | G18 | O | Bit 3, Channel E |
| D3A | W13 | O | Bit 4, Channel A | D3E | G19 | O | Bit 4, Channel E |
| D4A | V12 | O | Bit 5, Channel A | D4E | H18 | O | Bit 5, Channel E |
| D5A | W12 | O | Bit 6, Channel A | D5E | H19 | O | Bit 6, Channel E |
| D6A | R11 | O | Bit 7, Channel A | D6E | J15 | O | Bit 7, Channel E |
| D7A | P11 | O | Bit 8, Channel A | D7E | J17 | O | Bit 8, Channel E |
| D8A | V11 | O | Bit 9, Channel A | D8E | J18 | O | Bit 9, Channel E |
| D9A | W11 | O | Bit 10, Channel A (MSB) | D9E | J19 | O | Bit 10, Channel E (MSB) |
| D0B | V19 | O | Bit 1, Channel B (LSB) | D0F | A18 | O | Bit 1, Channel F (LSB) |
| D1B | V18 | O | Bit 2, Channel B | D1F | B18 | O | Bit 2, Channel F |
| D2B | U17 | O | Bit 3, Channel B | D2F | C17 | O | Bit 3, Channel F |
| D3B | W18 | O | Bit 4, Channel B | D3F | B19 | O | Bit 4, Channel F |
| D4B | V17 | O | Bit 5, Channel B | D4F | C18 | O | Bit 5, Channel F |
| D5B | W17 | O | Bit 6, Channel B | D5F | C19 | O | Bit 6, Channel F |
| D6B | V16 | O | Bit 7, Channel B | D6F | D18 | O | Bit 7, Channel F |
| D7B | W16 | O | Bit 8, Channel B | D7F | D19 | O | Bit 8, Channel F |
| D8B | V15 | O | Bit 9, Channel B | D8F | E18 | O | Bit 9, Channel F |
| D9B | W15 | O | Bit 10, Channel B (MSB) | D9F | E19 | O | Bit 10, Channel F (MSB) |
| D0C | P19 | O | Bit 1, Channel C (LSB) | D0G | A14 | O | Bit 1, Channel G (LSB) |
| D1C | P18 | O | Bit 2, Channel C | D1G | B14 | O | Bit 2, Channel G |
| D2C | R19 | O | Bit 3, Channel C | D2G | C14 | O | Bit 3, Channel G |
| D3C | R18 | O | Bit 4, Channel C | D3G | A15 | O | Bit 4, Channel G |
| D4C | R17 | O | Bit 5, Channel C | D4G | B15 | O | Bit 5, Channel G |
| D5C | T19 | O | Bit 6, Channel C | D5G | E14 | O | Bit 6, Channel G |
| D6C | T18 | O | Bit 7, Channel C | D6G | C15 | O | Bit 7, Channel G |
| D7C | U19 | O | Bit 8, Channel C | D7G | A16 | O | Bit 8, Channel G |
| D8C | U18 | O | Bit 9, Channel C | D8G | B16 | O | Bit 9, Channel G |
| D9C | T17 | O | Bit 10, Channel C (MSB) | D9G | A17 | O | Bit 10, Channel G (MSB) |
| D0D | K14 | O | Bit 1, Channel D (LSB) | D0H | C10 | O | Bit 1, Channel H (LSB) |
| D1D | K15 | O | Bit 2, Channel D | D1H | B10 | O | Bit 2, Channel H |
| D2D | K18 | O | Bit 3, Channel D | D2H | A10 | O | Bit 3, Channel H |
| D3D | K19 | O | Bit 4, Channel D | D3H | C11 | O | Bit 4, Channel H |
| D4D | L18 | O | Bit 5, Channel D | D4H | B11 | O | Bit 5, Channel H |
| D5D | L19 | O | Bit 6, Channel D | D5H | A11 | O | Bit 6, Channel H |
| D6D | M19 | O | Bit 7, Channel D | D6H | A12 | O | Bit 7, Channel H |
| D7D | M18 | O | Bit 8, Channel D | D7H | B12 | O | Bit 8, Channel H |
| D8D | N19 | O | Bit 9, Channel D | D8H | C12 | O | Bit 9, Channel H |
| D9D | N18 | O | Bit 10, Channel D (MSB) | D9H | A13 | O | Bit 10, Channel H (MSB) |

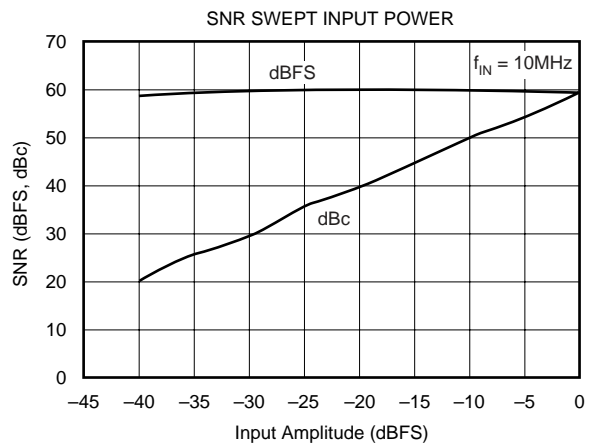
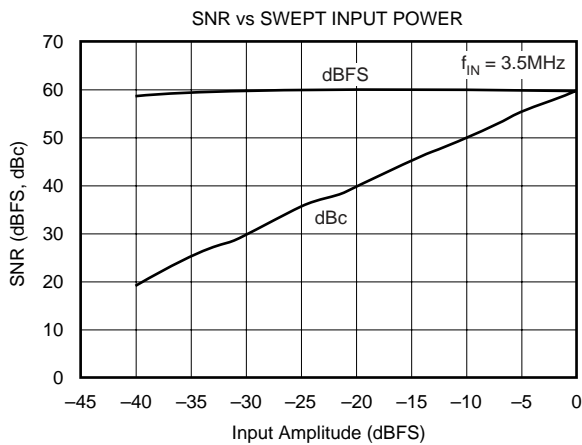
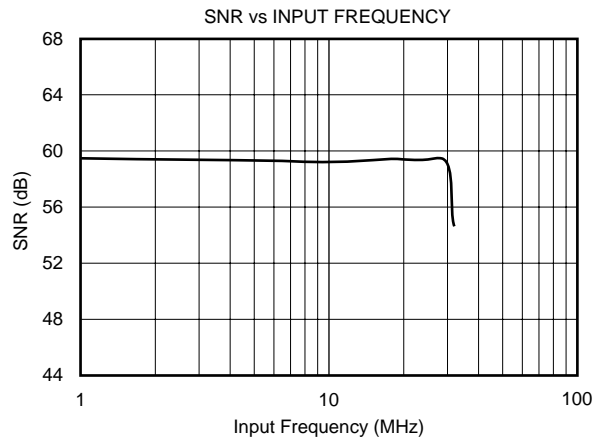
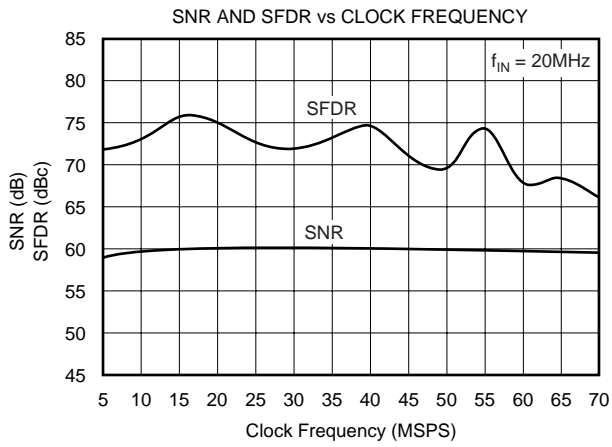
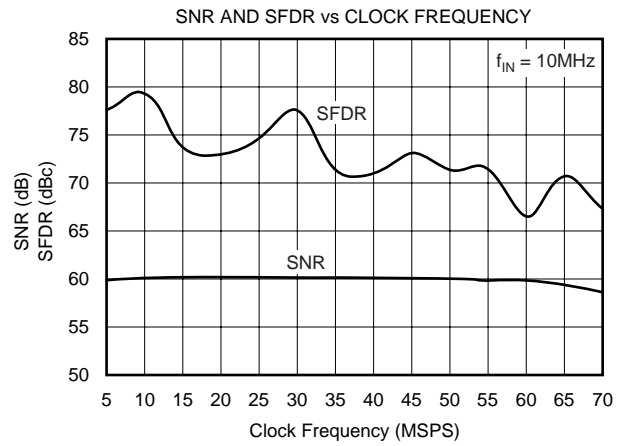
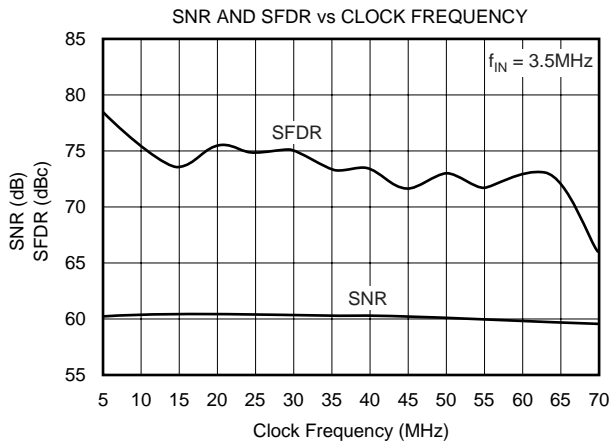
TYPICAL CHARACTERISTICS

$T_A = 25^\circ\text{C}$, $AV_{DD} = DV_{DD} = 1.8\text{V}$, $DRV_{DD} = 3.3\text{V}$, $f_{IN} = -0.5\text{dBFS}$, Internal Reference, Clock = 65MSPS, and Differential Input Range = $1V_{PP}$, unless otherwise noted.



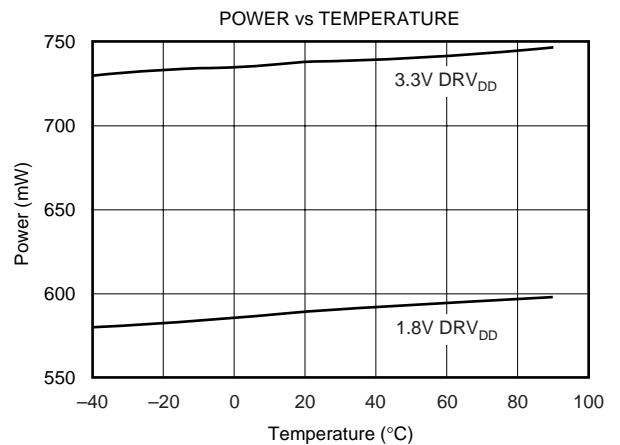
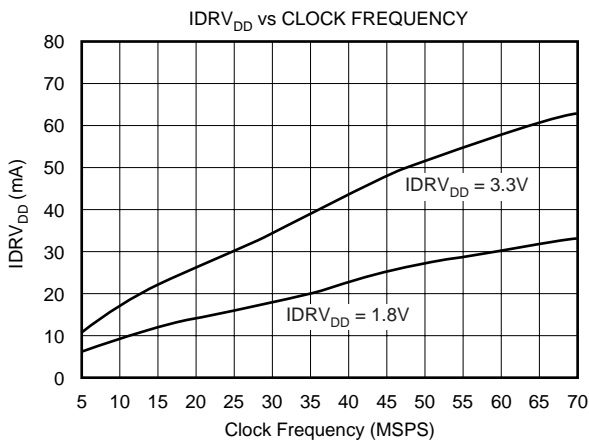
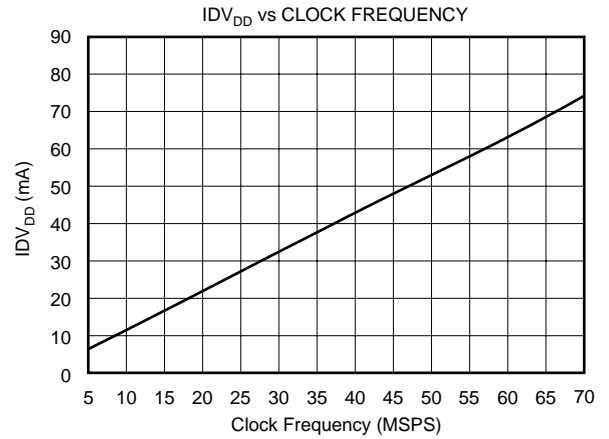
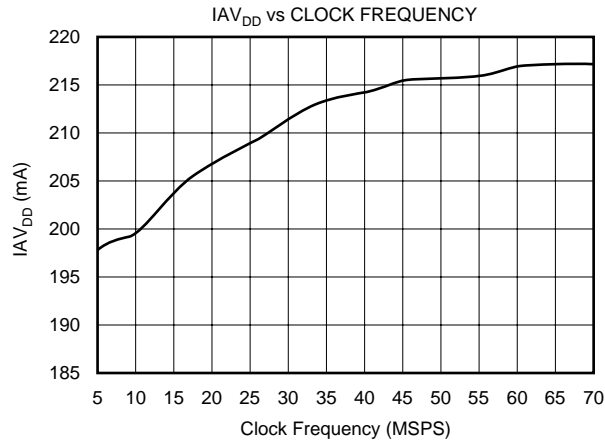
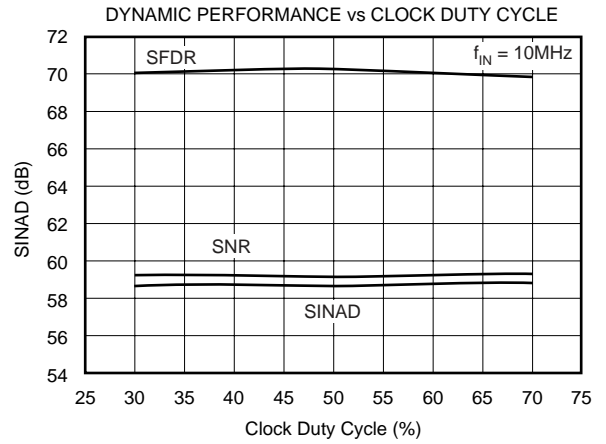
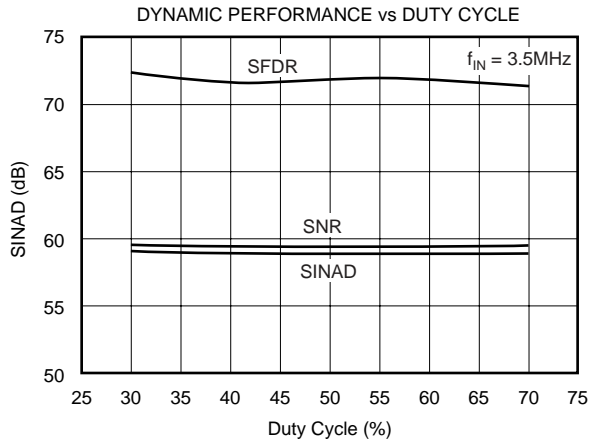
TYPICAL CHARACTERISTICS (Cont.)

$T_A = 25^\circ\text{C}$, $AV_{DD} = DV_{DD} = 1.8\text{V}$, $DRV_{DD} = 3.3\text{V}$, $f_{IN} = -0.5\text{dBFS}$, Internal Reference, Clock = 65MSPS, and Differential Input Range = $1V_{PP}$, unless otherwise noted.



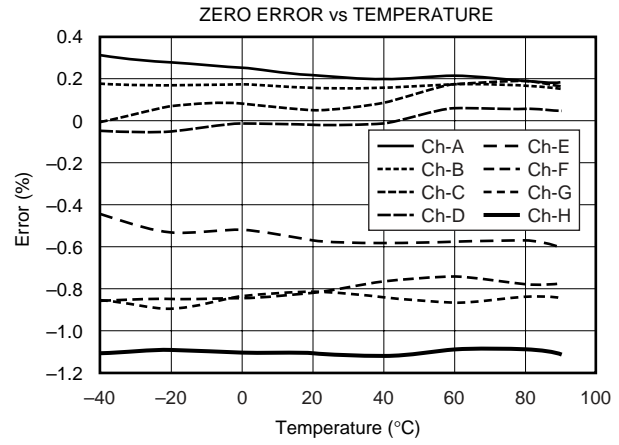
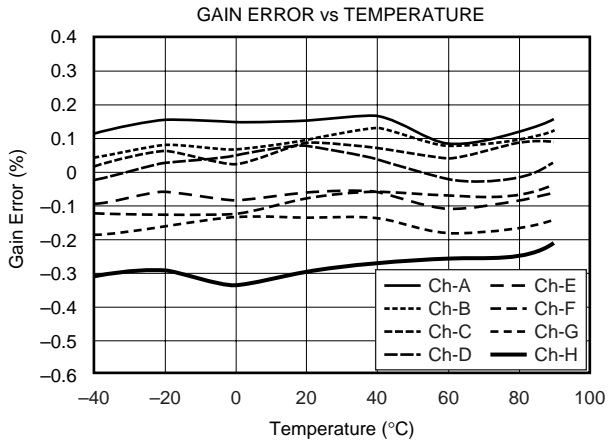
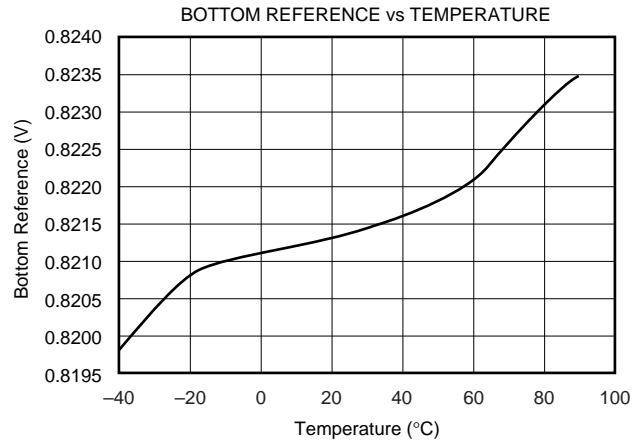
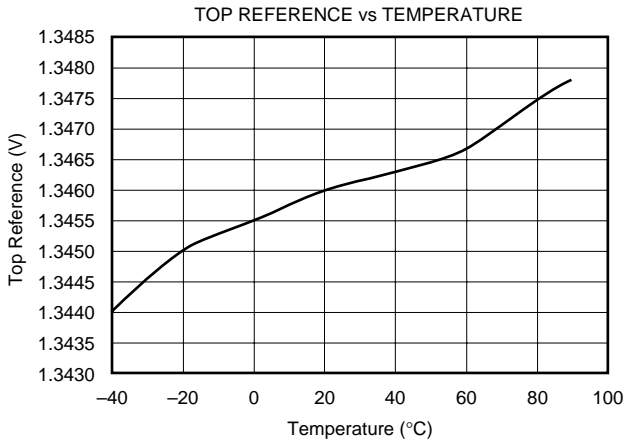
TYPICAL CHARACTERISTICS (Cont.)

$T_A = 25^\circ\text{C}$, $AV_{DD} = DV_{DD} = 1.8\text{V}$, $DRV_{DD} = 3.3\text{V}$, $f_{IN} = -0.5\text{dBFS}$, Internal Reference, Clock = 65MSPS, and Differential Input Range = $1V_{PP}$, unless otherwise noted.



TYPICAL CHARACTERISTICS (Cont.)

$T_A = 25^\circ\text{C}$, $AV_{DD} = DV_{DD} = 1.8\text{V}$, $DRV_{DD} = 3.3\text{V}$, $f_{IN} = -0.5\text{dBFS}$, Internal Reference, Clock = 65MSPS, and Differential Input Range = $1V_{pp}$, unless otherwise noted.



APPLICATION INFORMATION

CONVERTER OPERATION

The ADS5122 is an 8-channel, simultaneous sampling ADC. Its low power and high sampling rate of 65MSPS is achieved using a state-of-the-art switched capacitor pipeline architecture built on an advanced low-voltage CMOS process. The ADS5122 primarily operates from a +1.8V single supply. For additional interfacing flexibility, the digital I/O supply (DRV_{DD}) can be set to either +1.8V or +3.3V. The ADC core of each channel consists of 10 pipeline stages. Each of the 10 stages produces one digital bit per stage. Both the rising and the falling clock edges are utilized to propagate the sample through the pipeline every half clock, for a total of five clock cycles. One and a half additional clock cycles are needed to pass the sample data through the digital error correction logic and the output latches. The total pipeline delay, or data latency, is therefore 6.5 clock cycles long. Since a common clock controls the timing of all eight channels, the analog signal is sampled at the same time, as well as the data on the parallel ports that become updated simultaneously.

INPUT IMPEDANCE

Due to the switched capacitor input, the input impedance of the ADS5122 is effectively capacitive, and the driving source needs to provide sufficient slew current to charge and discharge the input sampling capacitor. The input impedance of the ADS5122 is also a function of the sampling rate. As the sampling frequency increases, the input impedance decreases at a linear rate of $1/f_s$. For most applications, this does not represent a limitation since the impedance remains relatively high, for example, approximately $20k\Omega$ at the max sampling rate of 65MSPS. For applications using an op amp to drive the ADC, it is recommended that a series resistor, typically 10Ω to 50Ω , be added between the amplifier output and the converter inputs. This will isolate the converter's capacitive input from the driver and avoid potential gain peaking, or instability.

INPUT BIASING

The ADS5122 operates from a single +1.8V analog supply, and requires each of the analog inputs (A_{IN+} , A_{IN-}) to be externally biased by a suitable common-mode voltage. For example, with a common-mode voltage of +1V, the $1V_{PP}$ full-scale, differential input signal will swing symmetrically around +1V, or between 0.75V and 1.25V. This is determined by the two reference voltages, the top reference (REFT), and the bottom reference (REFB). Typically, the input common-mode level is related to the reference voltages and defined as $(REFT + REFB)/2$. This reference mid-point is provided at the common-mode level output (CML) pin and can directly be used for input biasing purposes. The voltage at CML will assume the mid-point for either internal or external reference

operation. In any case, it is recommended to bypass the CML pin with a ceramic $0.1\mu F$ capacitor.

DRIVING THE ANALOG INPUTS

Differential versus Single-Ended

The analog input of the ADS5122 allows it to be driven either single-ended or differentially. Differential operation of the ADS5122 requires an input signal that consists of an in-phase and a 180° out-of-phase part simultaneously applied to the inputs (A_{IN+} , A_{IN-}). The full-scale input range of the ADS5122 is defined by the reference voltages according to $FSR = 2 \times (REFT - REFB)$. For a typical $1V_{PP}$ range, the differential input configuration only requires each input to see a signal swing of $0.5V_{PP}$. Operating the converter in single-ended configuration requires the full $1V_{PP}$ swing applied to the chosen input. The differential operation offers a number of advantages, which in most applications will be instrumental in achieving the best dynamic performance of the ADS5122:

- Signal swing is half that required for the single-ended operation and is therefore less demanding to achieve while maintaining good linearity performance from the signal source.
- Reduced signal swing allows for more headroom of the interface circuitry and therefore a wider selection of the best suitable driver op amp.
- Even-order harmonics are minimized.
- Improved noise immunity based on the converter's common-mode input rejection.

For the single-ended mode, the signal is applied to one of the inputs while the other input is biased with a DC voltage to the required common-mode level. Both inputs are identical in terms of their impedance and performance. Applying the signal to the complementary input (A_{IN-}) instead of the A_{IN+} input, however, will invert the orientation of the input signal relative to the output code. This could be helpful, for example, if the input driver operates in inverting mode using input A_{IN-} as the signal input will restore the phase of the signal to its original orientation.

INPUT DRIVER CONFIGURATIONS

Transformer-Coupled Interface

If the application requires a signal conversion from a single-ended source to drive the ADS5122 differentially, an RF-transformer might be a good solution. The selected transformer must have a center tap in order to apply the common-mode DC voltage necessary to bias the converter inputs. AC-grounding the center tap will generate the differential signal swing across the secondary winding. Consider a step-up transformer to take advantage of signal amplification without the introduction of another noise source. Furthermore, the reduced signal swing from the source may lead to an improved distortion performance.

The differential input configuration may provide a noticeable advantage of achieving good SFDR performance over a wide range of input frequencies. In this mode, both inputs (AIN+ and AIN-) of the ADS5122 see matched impedances. Figure 1 shows the schematic for the suggested transformer-coupled interface circuit. The component values of the R-C low-pass may be optimized depending on the desired roll-off frequency.

Single-Ended, AC-Coupled Driver

The circuit of Figure 2 shows an example for driving the inputs of the ADS5122 in a single-ended configuration. The signal is AC-coupled between the driver amplifier and the converter input (AIN+). This allows for setting the required common-mode voltages for the ADC and op amp separately. The single-supply op amp is biased at mid-supply by two resistors connected at its noninverting input. Connecting each input to the CML pin provides the required common-mode voltage for the inputs of the ADS5122. Here, two resistors of equal value ensure that the inputs see closely

matched source impedances. If the op amp features a disable function, it could be easily tied together with the power-down pin of the ADS5122 channel (STBY). In the circuit example depicted in Figure 2, the OPA355 EN pin is directly connected to the STBY pin to allow for a power-down mode of the entire circuit. Other suitable op amps for single-supply driver applications include the OPA634, OPA635, or OPA690, for example.

DC-Coupled Interface with Differential Amplifier

Differential input/output amplifiers can simplify the driver circuit for applications requiring input DC-coupling. Flexible in their configurations, such amplifiers can be used for single-ended to differential conversion, allow for signal amplification, and also for filtering prior to the ADC. See Figure 3 for one possible circuit implementation using the THS4130 amplifier. Here, the amplifier operates with a gain of +1. The common-mode voltage available at the CML pin can be conveniently connected to the amplifier V_{OCM} pin to set the required input bias for the ADS5122.

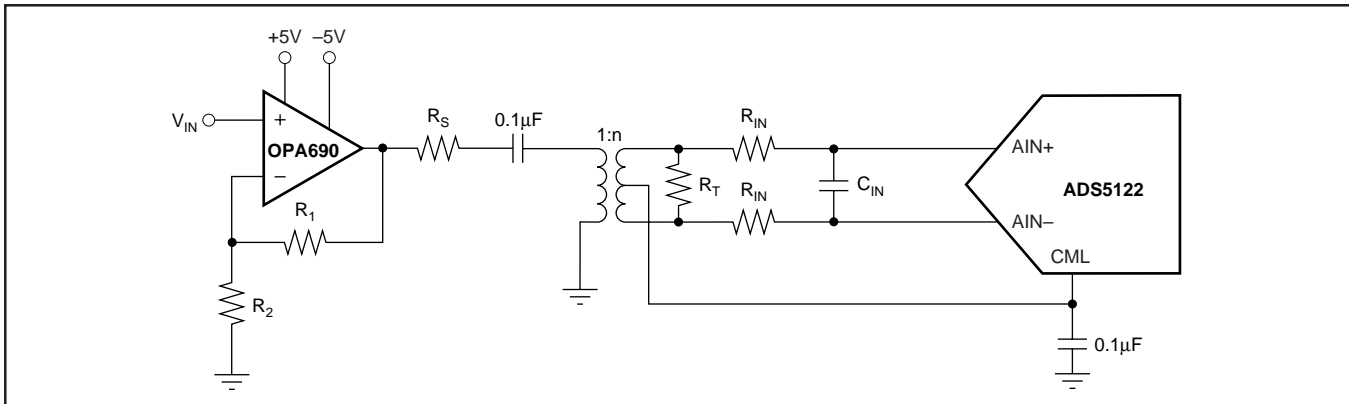


FIGURE 1. Converting a Single-Ended Input Signal into a Differential Signal Using an RF-Transformer.

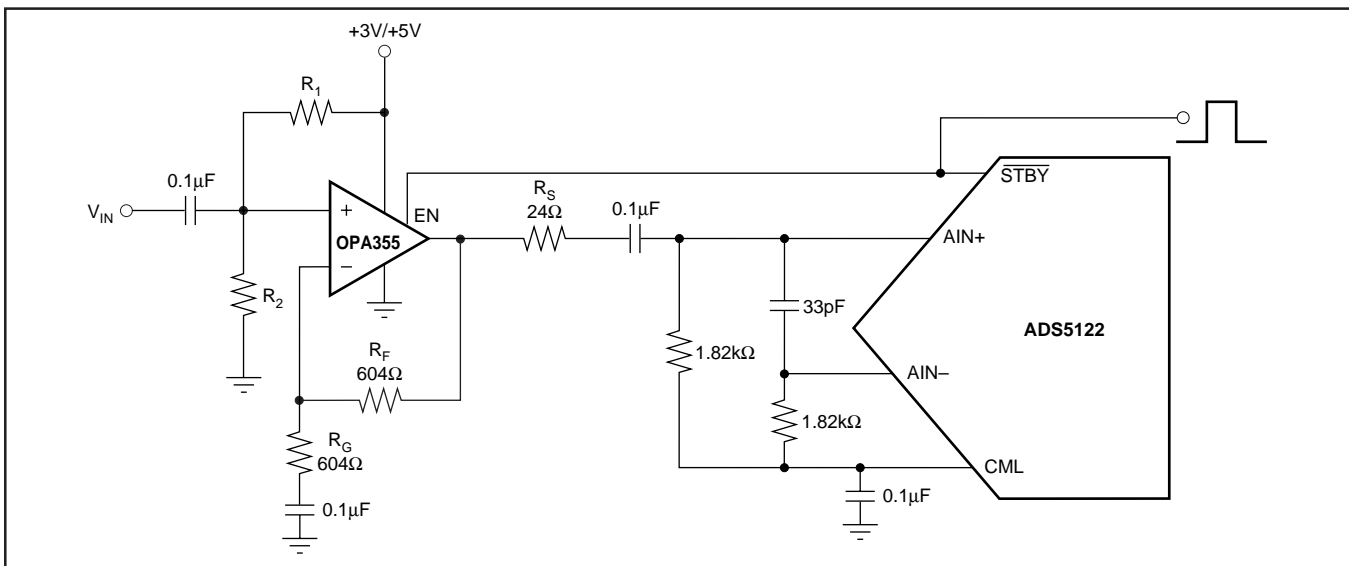


FIGURE 2. Single-Ended, AC-Coupled Driver Configuration for Single Supply.

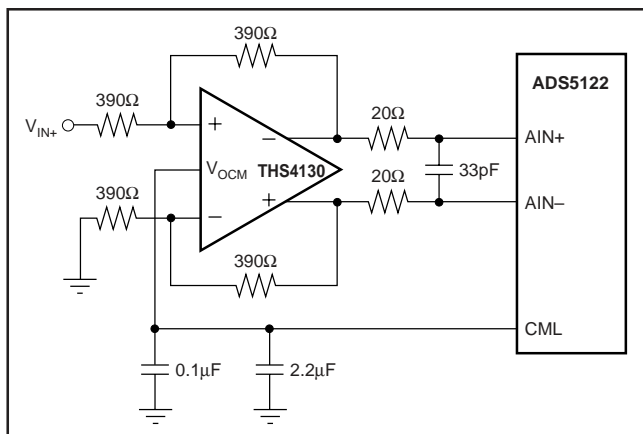


FIGURE 3. DC-Coupled Interface Using Differential I/O Amplifier THS4130.

REFERENCE OPERATION

For proper operation of the ADS5122 and its reference, an external 4.42kΩ resistor must be connected from the IREFR pin to analog ground (AGND), as shown in Figure 4. While a 1% resistor tolerance is adequate, deviating from this resistor value will cause altered and degraded performance.

To ensure proper operation with any reference configuration, it is necessary to provide solid bypassing at all reference pins in order to keep the clock feedthrough to a minimum. Figure 4 shows the recommended decoupling scheme. Good performance can be obtained using 0.1μF low inductance ceramic capacitors. Adding tantalum capacitors (1μF to 10μF) may lead to a performance improvement, depending on the application. All bypassing capacitors should be located as close as possible to their respective pins.

INTERNAL REFERENCE

The internal reference circuit of the ADS5122 consists of a bandgap voltage reference, the drivers for the top and bottom reference, and the resistive reference ladder. The corresponding reference pins are REFT, REFB, CML, IREFR, BG, and PDREF. In order to enable the internal reference, PDREF must be at a logic LOW (= 0) level. In addition, the bandgap pin (BG) should be decoupled with a 0.1μF capacitor. The reference circuit provides the reference voltages to each of the eight channels.

The reference buffers can be utilized to supply up to 1mA (sink and source) to an external circuitry. The CML pin represents the mid-point of the internal resistor ladder and is an unbuffered node. Loading of this pin should be avoided, as it will lead to degradation of the converter linearity.

USING EXTERNAL REFERENCES

For even more design flexibility, the internal reference can be disabled and an external reference voltage used. The utilization of an external reference may be considered for applications requiring higher accuracy or improved temperature performance. Especially in multi-channel applications, the use of a common external reference has the benefit of obtaining better matching of the full-scale range between converters.

Setting the ADS5122 for external reference mode requires taking the PDREF pin HIGH. In addition, pins BG and REFT must be connected together (see Figure 5). The common-mode voltage at the CML pin will be maintained at approximately the mid-point of the applied reference voltages, according to $CML \approx (V_{REFT} - V_{REFB})/2$. The internal buffer amplifiers for REFT and REFB are disabled when the

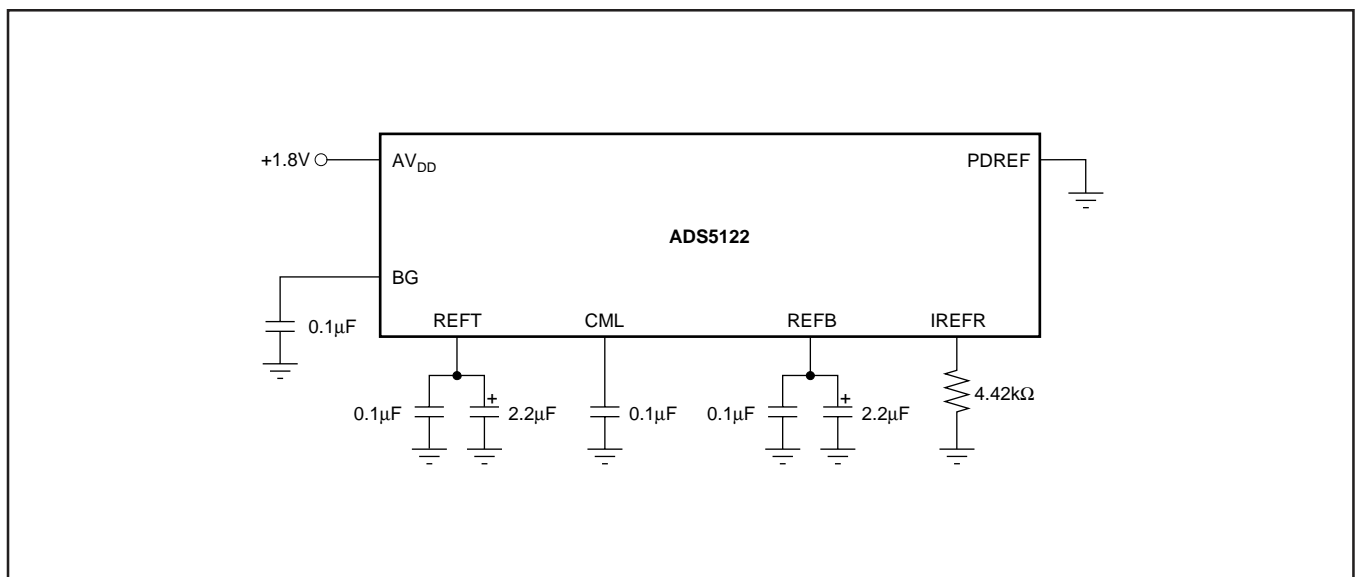


FIGURE 4. Internal Reference; Recommended Configuration and Bypassing.

ADS5122 operates in the external reference mode. The external reference circuit must be designed to drive the internal reference ladder (80Ω) located between the REFT and REFB pins. For example, setting REFT = +1.25V and REFB = +0.75V will require a current drive capability of at least $0.5V/80\Omega = 6.25mA$. The external references can vary as long as the value of the external top reference (REFT_{EXT}) stays within the range of +1.15V to +1.35V, and the external bottom reference (REFB_{EXT}) stays within +0.65V to +0.85V (as shown in Figure 6).

DIGITAL INPUTS AND OUTPUTS

Clock Input

The clock input is designed to operate with +1.8V or +3.3V CMOS logic levels. The clock circuitry is internally connected to the DRV_{DD} supply. Therefore, the input HIGH and LOW levels will vary depending on the applied DRV_{DD} supply; see *DC Characteristics* tables. Since both edges of the clock are used in this pipeline ADC, the ideal clock should be a square-wave logic signal with a 50% duty-cycle.

Since this condition cannot always easily be met, the ADS5122 features an internal clock conditioning circuitry that can be activated through the duty-cycle adjust pin (DCASEL).

The DCASEL pin is a logic input, with its logic levels related to the DV_{DD} supply (+1.8V only):

- DCASEL = LOW (GND); in this mode the clock conditioning circuitry is disabled. Use this setting if the applied clock signal is a square-wave clock with a duty cycle of 50%, or if the duty cycle stays within a range of 48% to 52%.
- DCASEL = HIGH (DV_{DD}); in this mode the clock conditioning circuitry is enabled. Use this setting if the applied external clock signal is a square-wave clock that does not meet the criteria listed above, but has a duty cycle in the range of 30% to 70%.

MINIMUM SAMPLING RATE

The pipeline architecture of the ADS5122 uses a switched capacitor technique for the internal track-and-hold stages. With each clock cycle, charges representing the captured signal level are moved within the ADC pipeline core. The high sampling rate necessitates the use of very small capacitor values. In order to hold the droop errors low, the capacitors require a minimum refresh rate. To maintain full accuracy of the acquired sample charge, the sampling clock of the ADS5122 should not be lower than the specified minimum of 5MSPS.

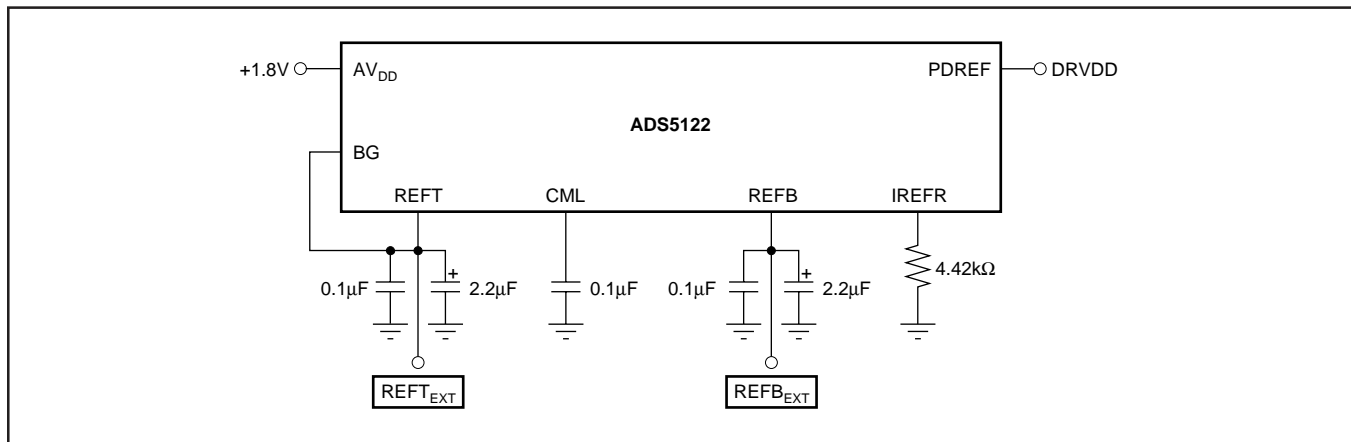


FIGURE 5. External Reference; Recommended Configuration and Bypassing.

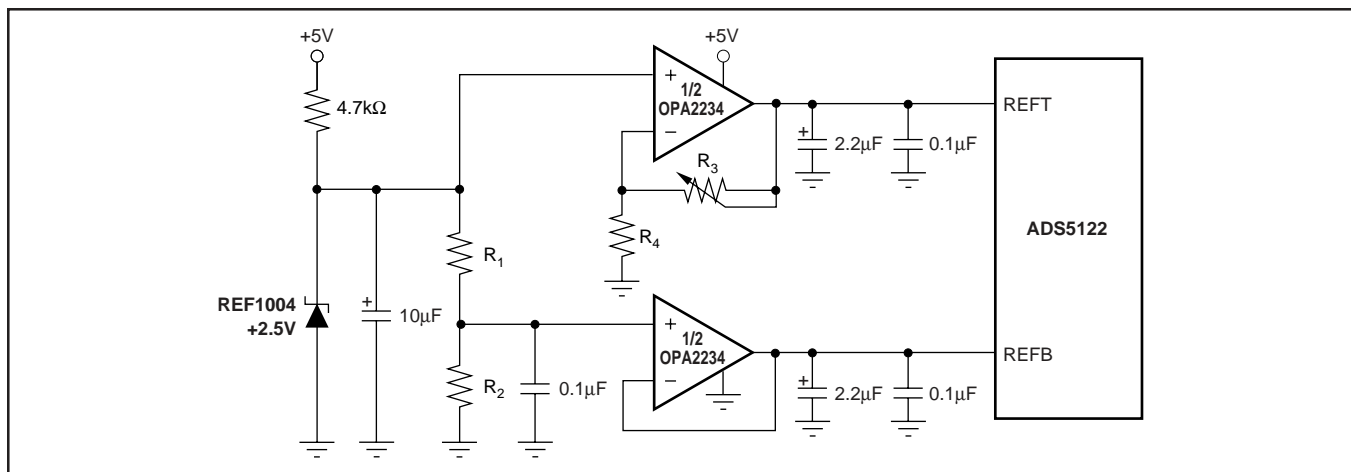


FIGURE 6. Circuit Example of an External Circuit Using a Single-Supply, Low-Power, Dual Op Amp (OPA2234).

DATA OUTPUT FORMAT

The output data format of the ADS5122 is a positive Straight Offset Binary (SOB) code. Tables I and II show output coding of a single-ended and differential signal. For all data output channels, the MSBs are located at the D9x pins.

| SINGLE-ENDED INPUT (AIN- = CML) | STRAIGHT OFFSET BINARY (SOB) |
|------------------------------------|---------------------------------|
| +FS – 1LSB (AIN+ = CML + FSR/2) | 11 1111 1111 |
| +1/2 FS | 11 0000 0000 |
| Bipolar Zero (AIN+ = CML) | 10 0000 0000 |
| –1/2 FS | 01 0000 0000 |
| –FS (AIN+ = CML – FSR/2) | 00 0000 0000 |

TABLE I. Coding Table for Single-Ended Input Configuration with Input AIN– Tied to the Common-Mode Voltage (CML).

| DIFFERENTIAL INPUT | STRAIGHT OFFSET BINARY (SOB) |
|---------------------------------------|---------------------------------|
| +FS – 1LSB (AIN+ = REFT, AIN– = REFB) | 11 1111 1111 |
| +1/2 FS | 11 0000 0000 |
| Bipolar Zero (AIN+ = AIN– = CML) | 10 0000 0000 |
| –1/2 FS | 01 0000 0000 |
| –FS (AIN+ = REFB, AIN– = REFT) | 00 0000 0000 |

TABLE II. Coding Table for Differential Input Configuration and $1V_{PP}$ Full-Scale Range.

DIGITAL OUTPUT LOADING

Minimizing the capacitive loading on the digital outputs is very important in achieving the best performance. The total load capacitance is typically made up of two sources: the next stage input capacitance, and the parasitic/printed circuit board (PCB) capacitance. It is recommended to keep the total capacitive loading on the data lines as low as possible ($\leq 20\text{pF}$). Higher capacitive loading will cause larger dynamic currents as the digital outputs are dynamic states. High current surges may cause feedback into the analog portion of the ADS5122 and affect the performance. If necessary, external buffers or latches close to the converter output pins may be used to minimize the capacitive loading. A suggested device is the SN74AVC16827 (20-bit buffer/driver), a member of the Advanced Very Low Voltage CMOS logic family (AVC). Using such a logic device can also provide the added benefit of isolating the ADS5122 from any digital noise activities on the bus coupling back high-frequency noise. Some applications may also benefit from the use of series resistors ($\leq 100\Omega$) in the data lines. This will provide a current limit and reduce any existing over- or undershoot.

OUTPUT ENABLE

The ADS5122 provides one output enable pin ($\overline{\text{OE}}$) that controls the digital outputs of all channels simultaneously. A LOW ($L = 0$) level on the $\overline{\text{OE}}$ pin will have all channels active and the converter in normal operation. Taking the $\overline{\text{OE}}$ pin HIGH ($H = 1$) will disable or tri-state the outputs of all

channels. Note that the $\overline{\text{OE}}$ pin has no internal pull-up resistor and therefore requires a defined potential to be applied. The timing relations between $\overline{\text{OE}}$ and the output bus enable/disable times are shown in the Timing Diagram.

POWER-UP SEQUENCE

Ideally, the three main power supplies for the ADS5122 should be applied and ramped up simultaneously. If this cannot be ensured, the following power-up sequence is recommended:

1. AV_{DD} (+1.8 typ)
2. DV_{DD} (+1.8 typ)
3. DRV_{DD} (+3.3 typ)

The clock signal should also be applied with proper logic levels during power-up of the ADS5122. Deviating from this power-up sequence may cause the device to enter a mode such that the digital outputs do not approach the full specified output levels.

POWER-DOWN (STANDBY)

The ADS5122 is equipped with a power-down function for each of the eight channels. Labeled as $\overline{\text{STBY}}$ pins, the channel is in normal operating mode when the $\overline{\text{STBY}}$ pin is connected to logic high ($H = 1$). The selected ADC channel will be in a power-down mode if the corresponding $\overline{\text{STBY}}$ pin is connected to logic LOW ($L = 0$). The logic levels for the $\overline{\text{STBY}}$ pins are dependent on the DRV_{DD} supply. The power-down function controls internal biasing nodes, and as a consequence, any data present in the pipeline of the converter will become invalid. This is independent of whether the clock remains applied during power-down or not. Following a power-up, new valid data will become available after a minimum of seven clock cycles. As a note, the operation of the $\overline{\text{STBY}}$ pins is not intended for the use of dynamically multiplexing between the eight channels of the ADS5122.

DIGITAL OUTPUT DRIVER SUPPLY, DRV_{DD}

The ADS5122 uses a dedicated supply connection for the output logic drivers, DRV_{DD} , along with its digital driver ground connections, labeled DRGND.

Setting the voltage at DRV_{DD} to either +3.3V or +1.8V also sets the output logic levels accordingly, allowing the ADS5122 to directly interface to a selected logic family. The output stages are designed to supply sufficient current to drive a variety of logic families. However, it is recommended to use the ADS5122 with a +1.8V driver supply. This will lower the power dissipation in the output stages due to the lower output swing and reduce current glitches on the supply lines, which otherwise may affect the AC performance of the converter. In some applications it might be advantageous to decouple the DRV_{DD} supply with additional capacitors or a pi-filter.

GROUNDING AND DECOUPLING

Proper grounding and bypassing, short lead length, and the use of ground planes are particularly important for high-frequency designs. Multilayer PCBs are recommended for

best performance since they offer distinct advantages such as minimizing ground impedance, separation of signal layers by ground layers, etc. The ADS5122 should be treated as an analog component. Whenever possible, the supply pins should be powered by the analog supply. This will ensure the most consistent results, since digital supply lines often carry high levels of noise which otherwise would be coupled into the converter and degrade the achievable performance. The ground pins should directly connect to an analog ground plane covering the PCB area under the converter. While designing the layout it is important to keep the analog signal traces separated from any digital line to prevent noise coupling onto the analog signal path. Due to its high sampling rate, the ADS5122 generates high-frequency current transients and noise (clock feedthrough) that are fed back into the supply and reference lines. This requires that all supply and reference pins are sufficiently bypassed. In most cases 0.1µF ceramic chip capacitors at each pin are adequate to keep the impedance low over a wide frequency range. Their effectiveness depends largely on the proximity to the individual supply pin. Therefore, they should be located as close as possible to the supply pins. In addition, a larger bipolar capacitor (1µF to 22µF) should be placed on the PCB in proximity to the converter circuit.

LAYOUT OF THE PCB WITH A MICROSTAR BGA PACKAGE

The ADS5122 is housed in a polyimide film-based chipscale package (CSP). Like most CSPs, solder alloy balls are used as the interconnect between the package substrate and the PCB on which the package is soldered. For detailed information regarding these packages, please refer to literature number SSYZ015B, MicroStar BGA Packaging Reference Guide, which addresses the specific considerations required when integrating a MicroStar BGA package into the PCB design. This document can be found at:

<http://www-s.ti.com/sc/psheets/ssyz015b/ssyz015b.pdf>

TERMINOLOGY

ANALOG BANDWIDTH

The analog input frequency at which the spectral power of the fundamental frequency (as determined by the FFT analysis) is reduced by 3dB.

APERTURE DELAY

The delay between the 50% point of the rising edge of the clock and the instant at which the analog input is sampled.

APERTURE UNCERTAINTY (JITTER)

The sample-to-sample variation in aperture delay.

EFFECTIVE NUMBER OF BITS (ENOB)

The ENOB is calculated from the measured SINAD based on the equation:

$$\text{ENOB} = \left(\frac{\text{SINAD} - 1.76\text{dB}}{6.02} \right)$$

EFFECTIVE RESOLUTION BANDWIDTH

The maximum analog input frequency at which the SINAD is decreased by 3dB or the ENOB by half a bit.

GAIN ERROR

Gain Error is the deviation of the actual difference between first and last code transitions and the ideal difference between first and last code transitions.

GAIN MATCHING

Variation in Gain Error between adjacent channels.

2ND-HARMONIC DISTORTION

The ratio of the rms signal amplitude to the rms value of the 2nd-harmonic component, reported in dBc.

3RD-HARMONIC DISTORTION

The ratio of the rms signal amplitude to the rms value of the 3rd-harmonic component, reported in dBc.

INTERMODULATION DISTORTION (IMD)

The 2-tone IMD is the ratio expressed in decibels of either input tone to the worst 3rd-order (or higher) Intermodulation products. The individual input tone levels are at -6.5dB full-scale, and their envelope is at -0.5dB full-scale.

OFFSET ERROR (ZERO-SCALE ERROR)

The first transition should occur for an analog value 1/2 LSB above negative full-scale. Offset error is defined as the deviation of the actual transition from that point.

OFFSET MATCHING

The change in offset error between adjacent channels.

POWER-SUPPLY REJECTION RATIO (PSRR)

The ratio of a change in input offset voltage to a change in power-supply voltage.

SIGNAL-TO-NOISE AND DISTORTION (SINAD)

The ratio of the rms signal amplitude (set 0.5dB below full-scale) to the rms value of the sum all other spectral components, including harmonics but excluding DC.

SIGNAL-TO-NOISE RATIO (WITHOUT HARMONICS)

The ratio of the rms signal amplitude (set 0.5dB below full-scale) to the rms value of the sum of all other spectral components, excluding the first five harmonics and DC.

SPURIOUS-FREE DYNAMIC RANGE (SFDR)

The ratio of the rms signal amplitude to the rms value of the peak spurious spectral component. The peak spurious component may or may not be a harmonic. May be reported in dBc (i.e., degrades as signal level is lowered), or dBFS (always related back to converter full-scale).

Revision History

| DATE | REVISION | PAGE | SECTION | DESCRIPTION |
|-------|----------|------|---------------------------|---|
| 6/06 | E | 1 | Front Page | Text change in Description; last sentence |
| | | 2 | Package/Ordering Table | Added last two rows |
| | | 3 | DC Characteristics | Text change in table headers |
| | | 17 | Application Information | Added Revision History Table |
| 11/05 | D | 2 | Package/Ordering Table | Include the new package designator ZHK for green/Pb-free package. |
| 7/05 | C | 14 | Using External References | Correct Figure 5: Added DRV_{DD} to PDREF |
| 6/04 | B | 2 | Abs Max Table | Changed incorrect specification Was: Clock Input CLK to DGND: $-0.3V$ to $AV_{DD} + 0.3V$, Changed to: Clock Input CLK to DGND: $-0.3V$ to $DRV_{DD} + 0.3V$ |
| | | 3 | DC Characteristics | Analog Input section; Input Resistance, R_{IN} row, TYP was: 83, Changed to: 20 Added CLK to Digital Inputs list |
| | | 11 | Driving Analog Inputs | Added definition of full-scale input range and clarified differential input configuration requirements. |
| | | 15 | Power-Up Sequence | Added Power-Up Sequence section |
| | | 16 | PCB Layout | "Polymide" corrected to "polyimide" |
| 5/03 | A | | | Was: Product Preview, Changed to: Production Data |

NOTE: Page numbers for previous revisions may differ from page numbers in the current version.

PACKAGING INFORMATION

| Orderable Device | Status ⁽¹⁾ | Package Type | Package Drawing | Pins | Package Qty | Eco Plan ⁽²⁾ | Lead/ Ball Finish | MSL Peak Temp ⁽³⁾ | Samples (Requires Login) |
|------------------|-----------------------|------------------|-----------------|------|-------------|----------------------------|-------------------|------------------------------|--------------------------------------|
| ADS5122CGHK | ACTIVE | BGA MICROSTAR | GHK | 257 | 90 | TBD | SNPB | Level-3-220C-168 HR | Request Free Samples |
| ADS5122CZHK | ACTIVE | BGA MICROSTAR | ZHK | 257 | 90 | Green (RoHS & no Sb/Br) | SNAGCU | Level-3-260C-168 HR | Request Free Samples |

⁽¹⁾ The marketing status values are defined as follows:

ACTIVE: Product device recommended for new designs.

LIFEBUY: TI has announced that the device will be discontinued, and a lifetime-buy period is in effect.

NRND: Not recommended for new designs. Device is in production to support existing customers, but TI does not recommend using this part in a new design.

PREVIEW: Device has been announced but is not in production. Samples may or may not be available.

OBsolete: TI has discontinued the production of the device.

⁽²⁾ Eco Plan - The planned eco-friendly classification: Pb-Free (RoHS), Pb-Free (RoHS Exempt), or Green (RoHS & no Sb/Br) - please check <http://www.ti.com/productcontent> for the latest availability information and additional product content details.

TBD: The Pb-Free/Green conversion plan has not been defined.

Pb-Free (RoHS): TI's terms "Lead-Free" or "Pb-Free" mean semiconductor products that are compatible with the current RoHS requirements for all 6 substances, including the requirement that lead not exceed 0.1% by weight in homogeneous materials. Where designed to be soldered at high temperatures, TI Pb-Free products are suitable for use in specified lead-free processes.

Pb-Free (RoHS Exempt): This component has a RoHS exemption for either 1) lead-based flip-chip solder bumps used between the die and package, or 2) lead-based die adhesive used between the die and leadframe. The component is otherwise considered Pb-Free (RoHS compatible) as defined above.

Green (RoHS & no Sb/Br): TI defines "Green" to mean Pb-Free (RoHS compatible), and free of Bromine (Br) and Antimony (Sb) based flame retardants (Br or Sb do not exceed 0.1% by weight in homogeneous material)

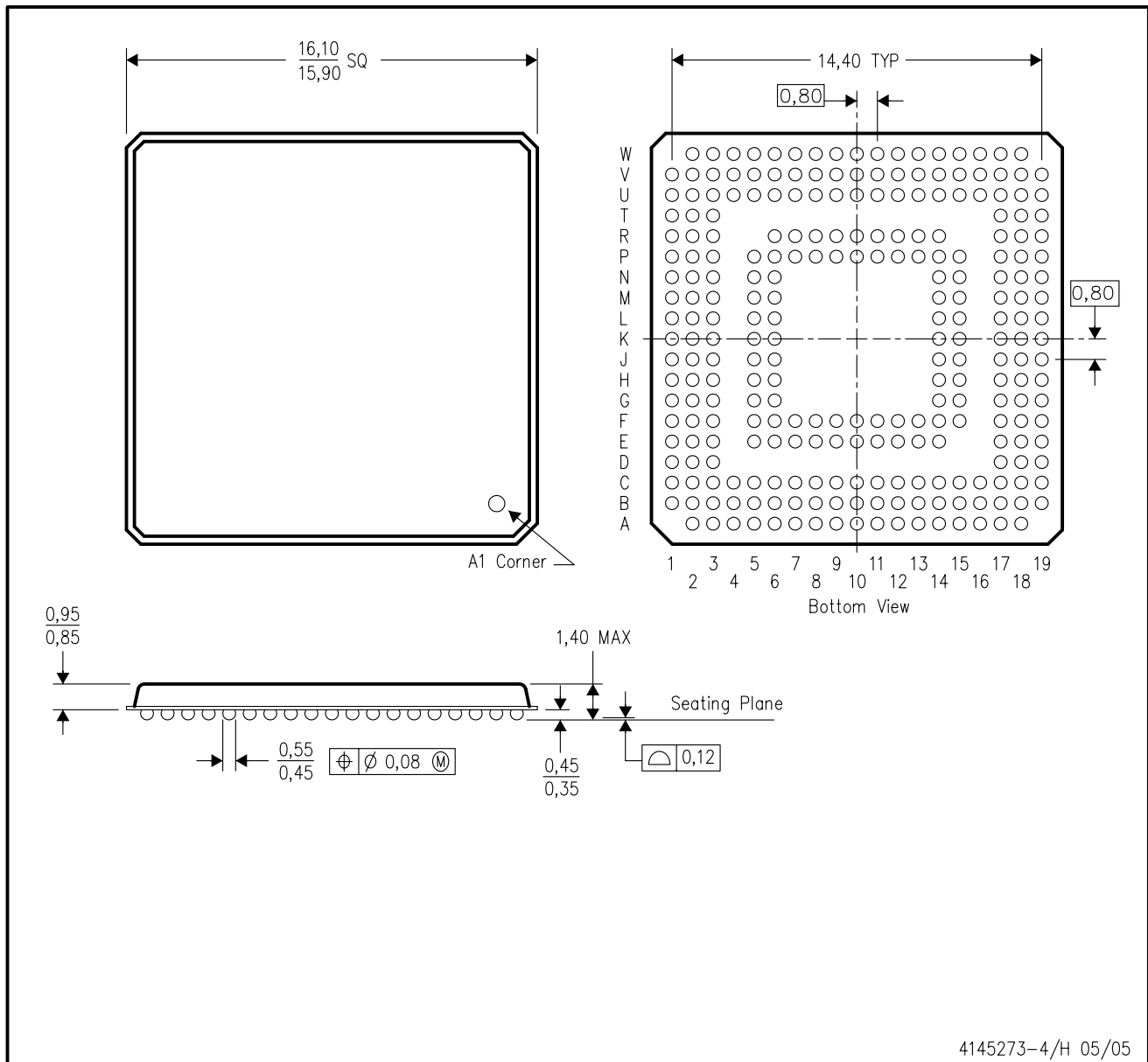
⁽³⁾ MSL, Peak Temp. -- The Moisture Sensitivity Level rating according to the JEDEC industry standard classifications, and peak solder temperature.

Important Information and Disclaimer: The information provided on this page represents TI's knowledge and belief as of the date that it is provided. TI bases its knowledge and belief on information provided by third parties, and makes no representation or warranty as to the accuracy of such information. Efforts are underway to better integrate information from third parties. TI has taken and continues to take reasonable steps to provide representative and accurate information but may not have conducted destructive testing or chemical analysis on incoming materials and chemicals. TI and TI suppliers consider certain information to be proprietary, and thus CAS numbers and other limited information may not be available for release.

In no event shall TI's liability arising out of such information exceed the total purchase price of the TI part(s) at issue in this document sold by TI to Customer on an annual basis.

GHK (S-PBGA-N257)

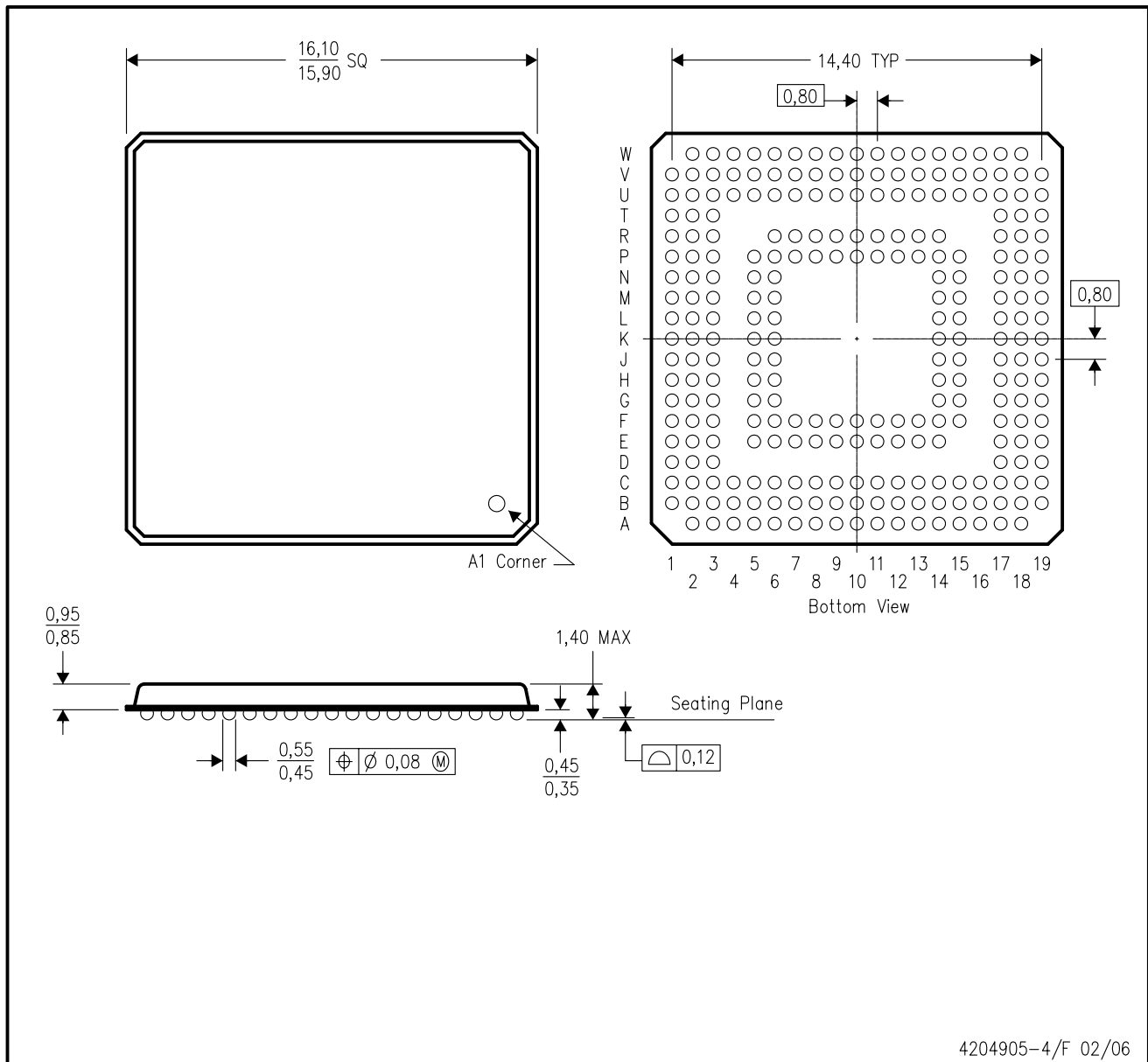
PLASTIC BALL GRID ARRAY



- NOTES: A. All linear dimensions are in millimeters.
 B. This drawing is subject to change without notice.

ZHK (S-PBGA-N257)

PLASTIC BALL GRID ARRAY



- NOTES:
- A. All linear dimensions are in millimeters.
 - B. This drawing is subject to change without notice.
 - C. This is a lead-free solder ball design.

IMPORTANT NOTICE

Texas Instruments Incorporated and its subsidiaries (TI) reserve the right to make corrections, modifications, enhancements, improvements, and other changes to its products and services at any time and to discontinue any product or service without notice. Customers should obtain the latest relevant information before placing orders and should verify that such information is current and complete. All products are sold subject to TI's terms and conditions of sale supplied at the time of order acknowledgment.

TI warrants performance of its hardware products to the specifications applicable at the time of sale in accordance with TI's standard warranty. Testing and other quality control techniques are used to the extent TI deems necessary to support this warranty. Except where mandated by government requirements, testing of all parameters of each product is not necessarily performed.

TI assumes no liability for applications assistance or customer product design. Customers are responsible for their products and applications using TI components. To minimize the risks associated with customer products and applications, customers should provide adequate design and operating safeguards.

TI does not warrant or represent that any license, either express or implied, is granted under any TI patent right, copyright, mask work right, or other TI intellectual property right relating to any combination, machine, or process in which TI products or services are used. Information published by TI regarding third-party products or services does not constitute a license from TI to use such products or services or a warranty or endorsement thereof. Use of such information may require a license from a third party under the patents or other intellectual property of the third party, or a license from TI under the patents or other intellectual property of TI.

Reproduction of TI information in TI data books or data sheets is permissible only if reproduction is without alteration and is accompanied by all associated warranties, conditions, limitations, and notices. Reproduction of this information with alteration is an unfair and deceptive business practice. TI is not responsible or liable for such altered documentation. Information of third parties may be subject to additional restrictions.

Resale of TI products or services with statements different from or beyond the parameters stated by TI for that product or service voids all express and any implied warranties for the associated TI product or service and is an unfair and deceptive business practice. TI is not responsible or liable for any such statements.

TI products are not authorized for use in safety-critical applications (such as life support) where a failure of the TI product would reasonably be expected to cause severe personal injury or death, unless officers of the parties have executed an agreement specifically governing such use. Buyers represent that they have all necessary expertise in the safety and regulatory ramifications of their applications, and acknowledge and agree that they are solely responsible for all legal, regulatory and safety-related requirements concerning their products and any use of TI products in such safety-critical applications, notwithstanding any applications-related information or support that may be provided by TI. Further, Buyers must fully indemnify TI and its representatives against any damages arising out of the use of TI products in such safety-critical applications.

TI products are neither designed nor intended for use in military/aerospace applications or environments unless the TI products are specifically designated by TI as military-grade or "enhanced plastic." Only products designated by TI as military-grade meet military specifications. Buyers acknowledge and agree that any such use of TI products which TI has not designated as military-grade is solely at the Buyer's risk, and that they are solely responsible for compliance with all legal and regulatory requirements in connection with such use.

TI products are neither designed nor intended for use in automotive applications or environments unless the specific TI products are designated by TI as compliant with ISO/TS 16949 requirements. Buyers acknowledge and agree that, if they use any non-designated products in automotive applications, TI will not be responsible for any failure to meet such requirements.

Following are URLs where you can obtain information on other Texas Instruments products and application solutions:

| Products | | Applications | |
|-----------------------------|--|----------------------------|--|
| Amplifiers | amplifier.ti.com | Audio | www.ti.com/audio |
| Data Converters | dataconverter.ti.com | Automotive | www.ti.com/automotive |
| DLP® Products | www.dlp.com | Communications and Telecom | www.ti.com/communications |
| DSP | dsp.ti.com | Computers and Peripherals | www.ti.com/computers |
| Clocks and Timers | www.ti.com/clocks | Consumer Electronics | www.ti.com/consumer-apps |
| Interface | interface.ti.com | Energy | www.ti.com/energy |
| Logic | logic.ti.com | Industrial | www.ti.com/industrial |
| Power Mgmt | power.ti.com | Medical | www.ti.com/medical |
| Microcontrollers | microcontroller.ti.com | Security | www.ti.com/security |
| RFID | www.ti-rfid.com | Space, Avionics & Defense | www.ti.com/space-avionics-defense |
| RF/IF and ZigBee® Solutions | www.ti.com/lprf | Video and Imaging | www.ti.com/video |
| | | Wireless | www.ti.com/wireless-apps |

Mailing Address: Texas Instruments, Post Office Box 655303, Dallas, Texas 75265
Copyright © 2010, Texas Instruments Incorporated