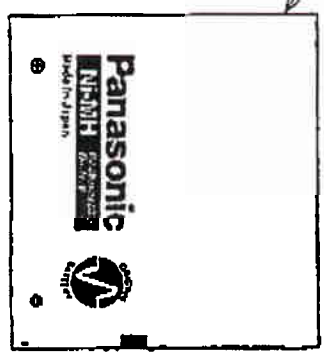
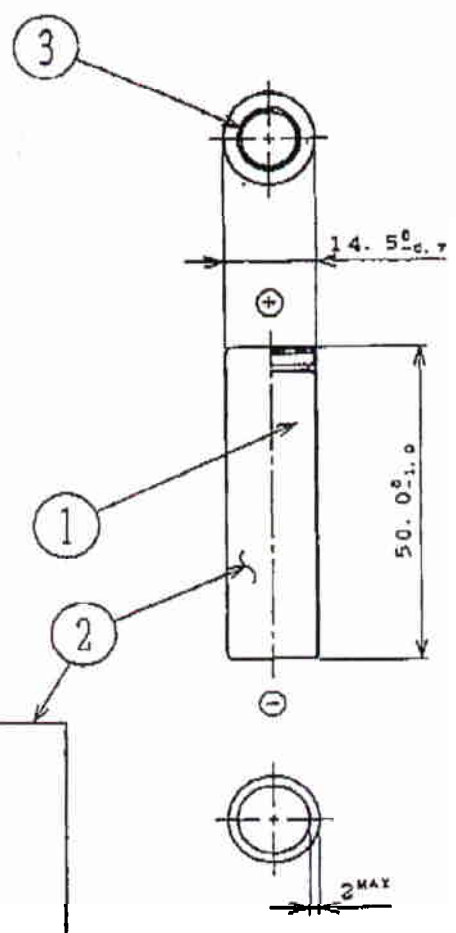


Commercial Tolerance	Sym.	Date	Revision	Drawn	Checked	Approved

5/8



HEAT STAMP: DATE CODE  
 EX: 9704  
 Year Month

NOMINAL VOLTAGE : 1.2V  
 NOMINAL CAPACITY : 1300mah  
 APPROX WEIGHT : .276

3	INSULATOR	PAPER	1		
2	OUTER JACKET	P. V. C. TUBE (FRESH GREEN)	1	PRINT: Panasonic	HEAT STAMP: DATE CODE
1	CELL	HHR-130AA	1	DISCHARGED	
Sym.	Item or Code No.	Material & Size	QTY.	Process	Remark
SEALED NICKEL METAL HYDRIDE BATTERY			Model No.	HHR-130AAB6	
			Name	DIMENSION SKETCH	
Qty	Desig	Drawn	Checked	Approved	No.
					C2197040203