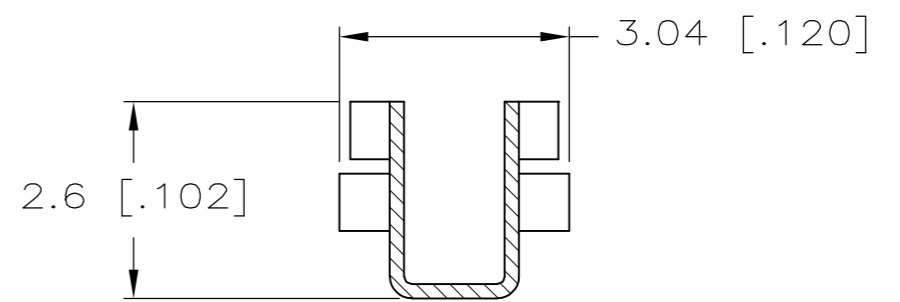
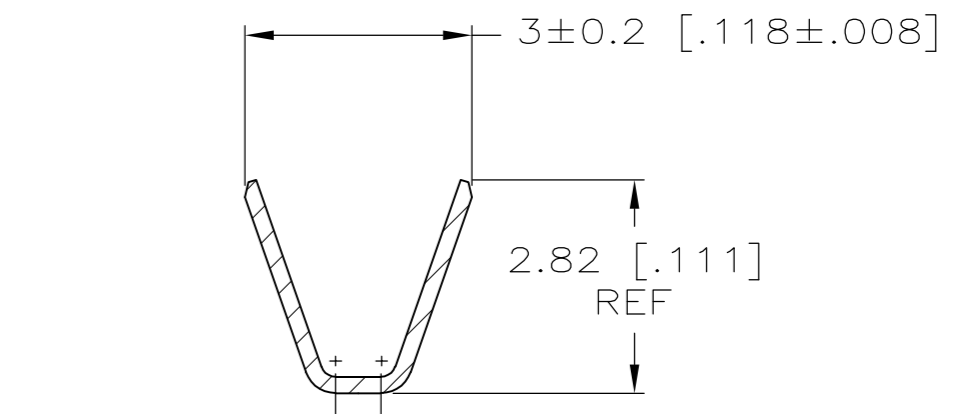
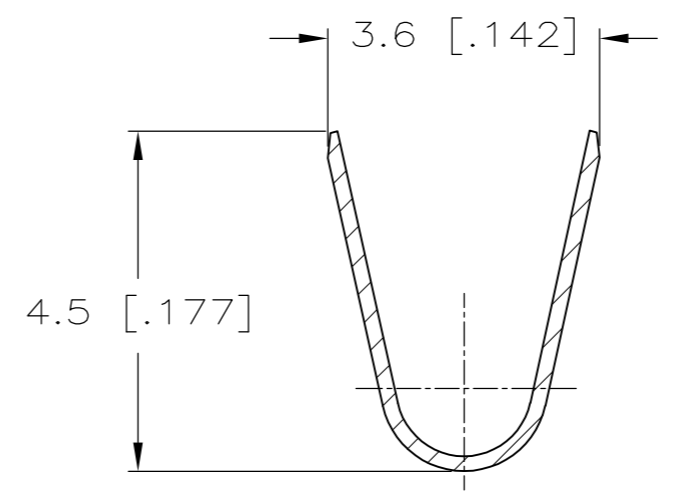
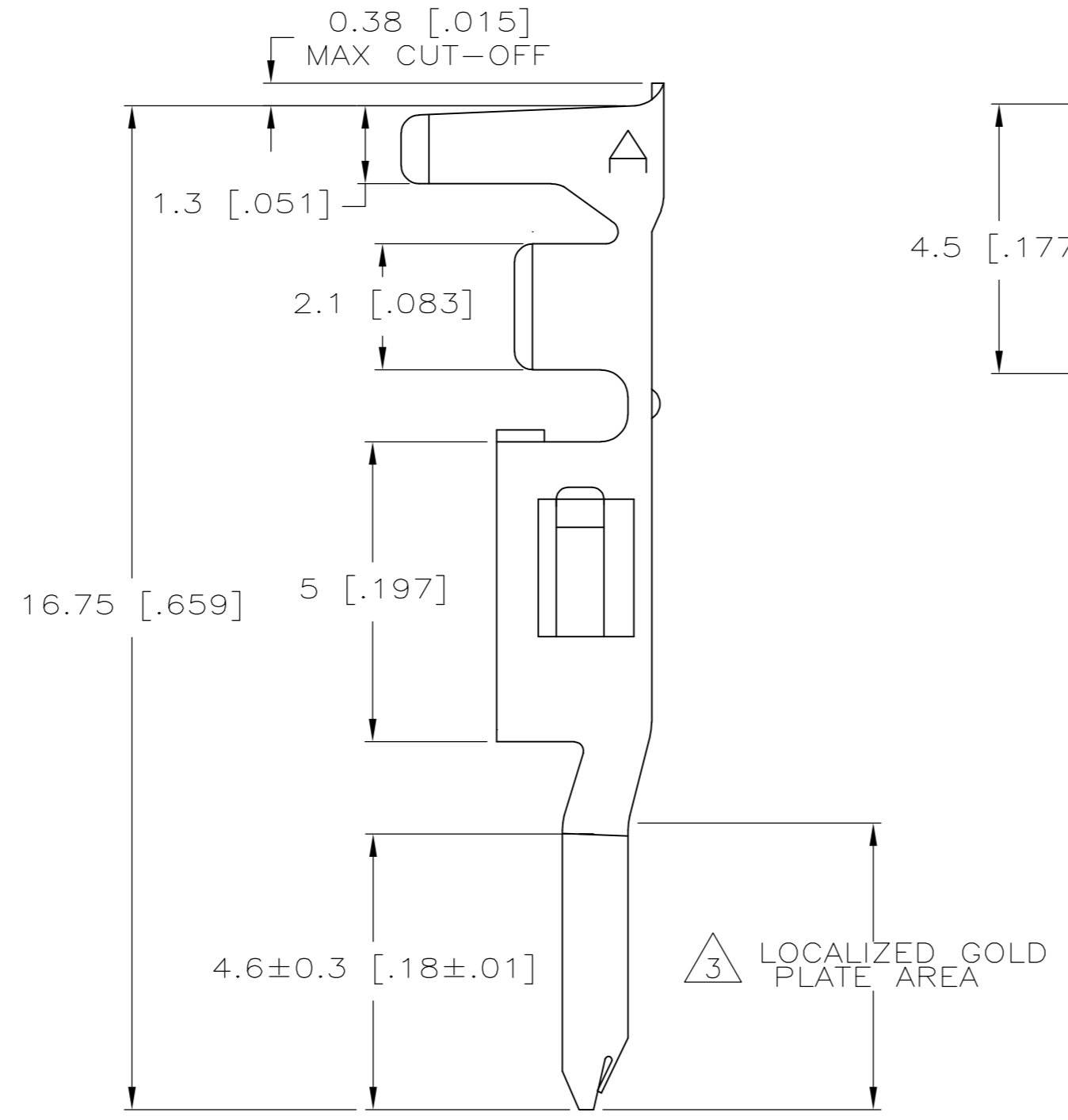
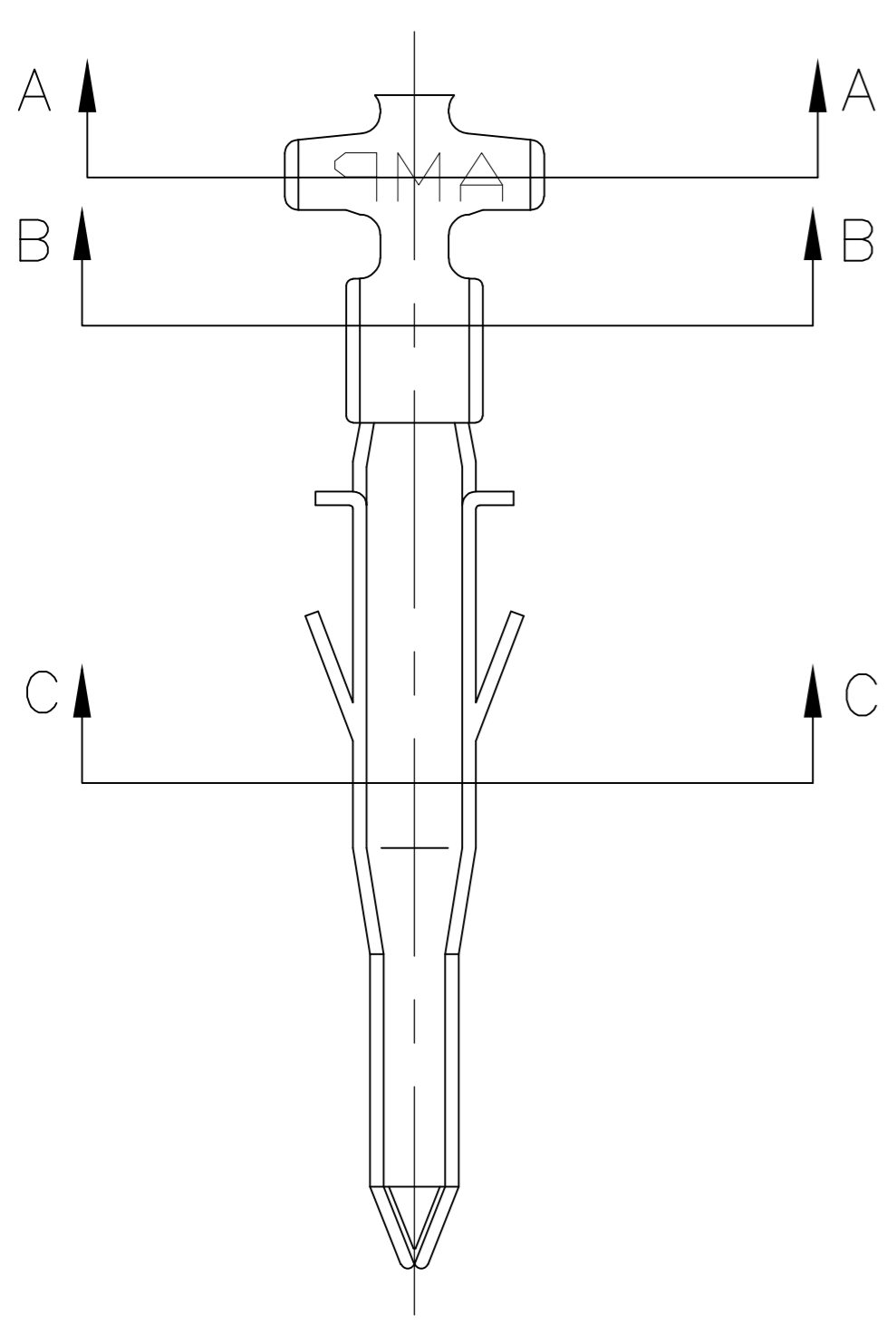


THIS DRAWING IS UNPUBLISHED. RELEASED FOR PUBLICATION
 © COPYRIGHT BY TYCO ELECTRONICS CORPORATION. ALL RIGHTS RESERVED.

LOC	DIST	REVISIONS			
P	LTR	DESCRIPTION	DATE	DWN	APVD
CM	00	B1	REVISED PER ECO-08-027061	05NOV08	HMR CC

1. WIRE RANGE: 1.31mm² (16 AWG)
2. INSULATION RANGE: 3.10 [.122] DIA.
3. FINISH: 0.76µm [.000030 in] GOLD IN LOCALIZED GOLD PLATE AREA OVER 1.27µm [.00005 in] MINIMUM NICKEL.
4. FINISH: 2.54µm [.00001 in] MINIMUM TIN IN LOCALIZED TIN PLATE AREA.



3 4	PHOS. BRZ.	1586840-4
PRE-TIN	PHOS. BRZ.	1586840-3
3 4	BRASS	1586840-2
PRE-TIN	BRASS	1586840-1
FINISH	MATERIAL	PART NO.

METRIC

DIMENSIONS:		TOLERANCES UNLESS OTHERWISE SPECIFIED:		APPLICABLE SPECIFICATIONS		MATERIAL		FINISH		WEIGHT		CUSTOMER DRAWING	
mm	[INCHES]	0 PLC	±	04APR2007	04APR2007	04APR2007	04APR2007	04APR2007	04APR2007	04APR2007	04APR2007	04APR2007	04APR2007
1 PLC	±	1 PLC	±	04APR2007	04APR2007	04APR2007	04APR2007	04APR2007	04APR2007	04APR2007	04APR2007	04APR2007	04APR2007
2 PLC	± 0.13 [.005]	2 PLC	± 0.13 [.005]	04APR2007	04APR2007	04APR2007	04APR2007	04APR2007	04APR2007	04APR2007	04APR2007	04APR2007	04APR2007
3 PLC	±	3 PLC	±	04APR2007	04APR2007	04APR2007	04APR2007	04APR2007	04APR2007	04APR2007	04APR2007	04APR2007	04APR2007
4 PLC	±	4 PLC	±	04APR2007	04APR2007	04APR2007	04APR2007	04APR2007	04APR2007	04APR2007	04APR2007	04APR2007	04APR2007
ANGLES	± 0°30'	ANGLES	± 0°30'	04APR2007	04APR2007	04APR2007	04APR2007	04APR2007	04APR2007	04APR2007	04APR2007	04APR2007	04APR2007