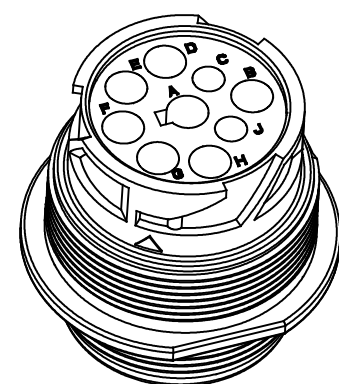
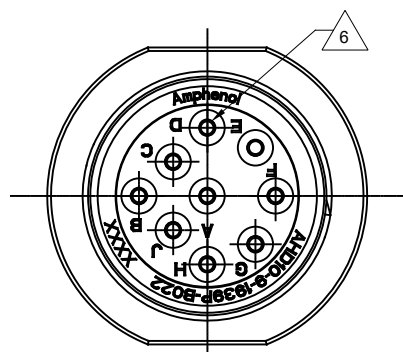
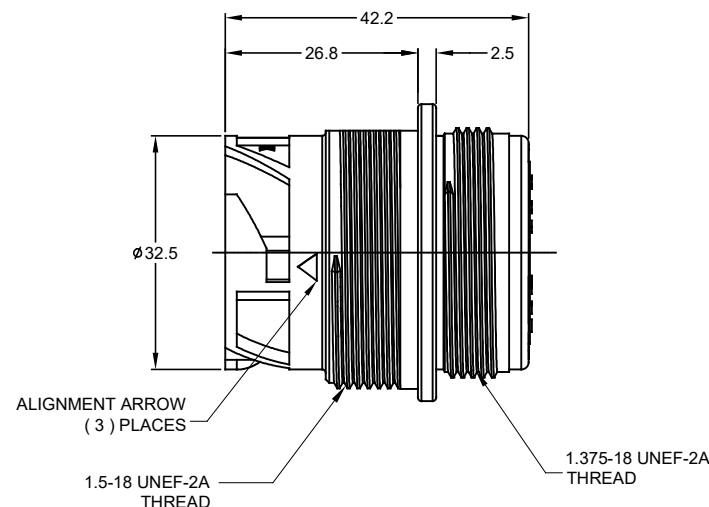
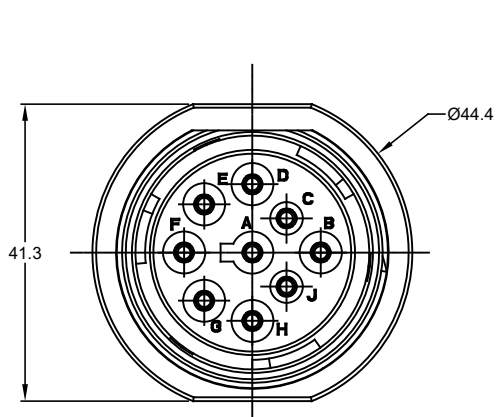
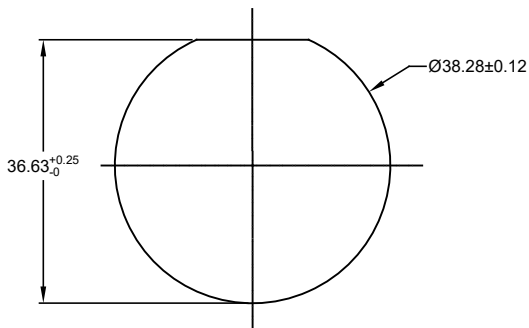


REVISIONS

REV	ECO	DESCRIPTION	DATE	BY	APPR
A1		FIRST RELEASE	08JAN18	WILBER	TOMMY



3D VIEW



RECOMMENDED PANEL MOUNTING HOLE

RECOMMENDED PANEL THICKNESS :1.57 TO 4.77

CONTACT SIZE AND WIRE SEAL RANGE:

PART NUMBER	SEAL TYPE	CONTACT SIZE	MIN. INSUL O.D.	MAX. INSUL O.D.	TYPICAL WIRE RANGE
AHD10-9-1939P-B022	STANDARD	16	2.54 mm (.100 in)	3.81 mm (.150 in)	14 - 20 AWG
AHD10-9-1939PR-B022	REDUCED	16	1.35 mm (.053 in)	3.05 mm (.120 in)	14 - 20 AWG

NOTES: UNLESS OTHERWISE SPECIFIED

- MATERIAL:  
HOUSING: THERMOPLASTIC; COLOR: BLACK  
SEAL: SILICONE RUBBER
- MODIFICATIONS: J1939-13 TYPE I ;  
OPTIONAL REDUCED DIA. WIRE SEAL  
( SEE NOTE 6 )
- SPECIFICATIONS:  
3.1 CURRENT RATING: 13 AMPS  
3.2 OPERATING TEMPERATURE: -55°C TO +125°C.  
3.3 DIELECTRIC WITHSTANDING VOLTAGE: LESS THAN 2 MILLIAMPS CURRENT LEAKAGE @ 1500 VOLTS AC.  
3.4 INSULATION RESISTANCE: 1000 MEGOHM MIN @ 25°C.  
3.5 MOISTURE RESISTANCE: IP67 ( MATED CONDITION ).  
3.6 MATING CYCLE DURABILITY: 100 CYCLES  
3.7 RoHS COMPLIANT
- MATING PART: AHD17-9-1939S\* OR AHD16-9-1939S\*  
(\* = AVAILABLE MODIFICATIONS )
- ALL DIMENSIONS ARE FOR REFERENCE USE ONLY.

SEE NOTE 6		PART NUMBER		DESCRIPTION		ITEM																																																																																																																
<table border="1"> <thead> <tr> <th>QUANTITY</th> <th colspan="6">MATERIALS LIST</th> </tr> </thead> <tbody> <tr> <td colspan="7">UNLESS OTHERWISE SPECIFIED:</td> </tr> <tr> <td colspan="7">1) All dimensions are in metric (mm).</td> </tr> <tr> <td colspan="7">2) Tolerances are as follows:</td> </tr> <tr> <td colspan="7">1 PL DEC ±0.30 Fractions ±1/64</td> </tr> <tr> <td colspan="7">2 PL DEC ±0.15 Angles ±1°</td> </tr> <tr> <td colspan="7">3 PL DEC ±0.08</td> </tr> <tr> <td colspan="7">3) Note reference = </td> </tr> <tr> <td colspan="2">MATERIAL SPECIFICATIONS:</td> <td colspan="2">SIGNATURES</td> <td colspan="3">DATE</td> </tr> <tr> <td colspan="2">DRAWN: Wilber</td> <td colspan="2">ENGINEER: Orion</td> <td colspan="3">08JAN18</td> </tr> <tr> <td colspan="2">APPROVAL: Tommy</td> <td colspan="2">CUSTOMER:</td> <td colspan="3">08JAN18</td> </tr> <tr> <td colspan="2">PROCESS SPECIFICATIONS:</td> <td colspan="5">THIS DRAWING IS SUPPLIED FOR INFORMATION ONLY. DESIGN FEATURES, SPECIFICATIONS AND PERFORMANCE DATA SHOWN HEREON ARE THE PROPERTY OF THE AMPHENOL CORPORATION. NO RIGHTS OF REPRODUCTION ARE IMPLIED. ALL DIMENSIONS ARE SUBJECT TO NORMAL MANUFACTURING VARIATIONS.</td> </tr> <tr> <td colspan="2">NEXT ASSY:</td> <td colspan="2">SIZE</td> <td colspan="2">TYPE</td> <td>REVISION</td> </tr> <tr> <td colspan="2"></td> <td colspan="2">B C-</td> <td colspan="2">AHD10-9-1939PX-B022</td> <td>A1</td> </tr> <tr> <td colspan="2"></td> <td colspan="2">SCALE</td> <td colspan="3">NONE</td> </tr> <tr> <td colspan="2"></td> <td colspan="2">SHEET</td> <td colspan="3">1 OF 1</td> </tr> </tbody> </table>							QUANTITY	MATERIALS LIST						UNLESS OTHERWISE SPECIFIED:							1) All dimensions are in metric (mm).							2) Tolerances are as follows:							1 PL DEC ±0.30 Fractions ±1/64							2 PL DEC ±0.15 Angles ±1°							3 PL DEC ±0.08							3) Note reference =							MATERIAL SPECIFICATIONS:		SIGNATURES		DATE			DRAWN: Wilber		ENGINEER: Orion		08JAN18			APPROVAL: Tommy		CUSTOMER:		08JAN18			PROCESS SPECIFICATIONS:		THIS DRAWING IS SUPPLIED FOR INFORMATION ONLY. DESIGN FEATURES, SPECIFICATIONS AND PERFORMANCE DATA SHOWN HEREON ARE THE PROPERTY OF THE AMPHENOL CORPORATION. NO RIGHTS OF REPRODUCTION ARE IMPLIED. ALL DIMENSIONS ARE SUBJECT TO NORMAL MANUFACTURING VARIATIONS.					NEXT ASSY:		SIZE		TYPE		REVISION			B C-		AHD10-9-1939PX-B022		A1			SCALE		NONE					SHEET		1 OF 1		
QUANTITY	MATERIALS LIST																																																																																																																					
UNLESS OTHERWISE SPECIFIED:																																																																																																																						
1) All dimensions are in metric (mm).																																																																																																																						
2) Tolerances are as follows:																																																																																																																						
1 PL DEC ±0.30 Fractions ±1/64																																																																																																																						
2 PL DEC ±0.15 Angles ±1°																																																																																																																						
3 PL DEC ±0.08																																																																																																																						
3) Note reference =																																																																																																																						
MATERIAL SPECIFICATIONS:		SIGNATURES		DATE																																																																																																																		
DRAWN: Wilber		ENGINEER: Orion		08JAN18																																																																																																																		
APPROVAL: Tommy		CUSTOMER:		08JAN18																																																																																																																		
PROCESS SPECIFICATIONS:		THIS DRAWING IS SUPPLIED FOR INFORMATION ONLY. DESIGN FEATURES, SPECIFICATIONS AND PERFORMANCE DATA SHOWN HEREON ARE THE PROPERTY OF THE AMPHENOL CORPORATION. NO RIGHTS OF REPRODUCTION ARE IMPLIED. ALL DIMENSIONS ARE SUBJECT TO NORMAL MANUFACTURING VARIATIONS.																																																																																																																				
NEXT ASSY:		SIZE		TYPE		REVISION																																																																																																																
		B C-		AHD10-9-1939PX-B022		A1																																																																																																																
		SCALE		NONE																																																																																																																		
		SHEET		1 OF 1																																																																																																																		

TITLE: REC. J1939-13 TYPE I, 9POS. PANEL MOUNT, D-HOLE, AHD DWG NO: AHD10-9-1939PX-B022 REV: A1 SH: 1 OF: 1

# AT Series™ - Contact Size 16 Options

Machined Contacts, Sockets & Pins				
Part Number	Description	Size	AWG	Type
AT60-215-1631	Male Contact - Pin, Gold-plated	16	14	Machined
AT62-209-1631	Female Contact - Socket, Gold-plated	16	14	Machined
AT60-215-16141	Male Contact - Pin, Nickel-plated	16	14	Machined
AT62-209-16141	Female Contact - Socket, Nickel-plated	16	14	Machined
AT60-202-1631	Male Contact - Pin, Gold-plated	16	16-20	Machined
AT62-201-1631	Female Contact - Socket, Gold-plated	16	16-20	Machined
AT60-202-16141	Male Contact - Pin, Nickel-plated	16	16-20	Machined
AT62-201-16141	Female Contact - Socket, Nickel-plated	16	16-20	Machined
AT60-202-1631-22	Male Contact - Pin, Gold-plated	16	22-24	Machined
AT62-201-1631-22	Female Contact - Socket, Gold-plated	16	22-24	Machined
AT60-202-16141-22	Male Contact - Pin, Nickel-plated	16	22-24	Machined
AT62-201-16141-22	Female Contact - Socket, Nickel-plated	16	22-24	Machined

Tooling - Machined Contacts		
Part	Part Number	Description
	CA-5D12	Universal Hand Crimp Tool, Size 12/16/20 (Machined contacts only)
	CA-5E12	Pneumatic Crimp Tool, Size 12/16/20 (Machined contacts only)

Contact Removal Tools		
Part	Part Number	Description
	ATRT-100	Used for removal of contacts for A Series™ products
	AT11-310-1605	Contact Removal Tool, Plastic, Size 16
	A114017	Sealing Plug, Size 16, White

Stamped & Formed Contacts, Sockets & Pins				
Part Number	Description	Size	AWG	Type
AT60-14-0144	Male Contact - Pin, Gold-plated	16	14-16	Stamped & Formed
AT62-14-0144	Female Contact - Socket, Gold-plated	16	14-16	Stamped & Formed
AT60-14-0122	Male Contact - Pin, Nickel-plated	16	14-16	Stamped & Formed
AT62-14-0122	Female Contact - Socket, Nickel-plated	16	14-16	Stamped & Formed
AT60-16-0144	Male Contact - Pin, Gold-plated	16	16-18	Stamped & Formed
AT62-16-0144	Female Contact - Socket, Gold-plated	16	16-18	Stamped & Formed
AT60-16-0122	Male Contact - Pin, Nickel-plated	16	16-18	Stamped & Formed
AT62-16-0122	Female Contact - Socket, Nickel-plated	16	16-18	Stamped & Formed
AT60-16-0644	Male Contact - Pin, Gold-plated	16	18-20	Stamped & Formed
AT62-16-0644	Female Contact - Socket, Gold-plated	16	18-20	Stamped & Formed
AT60-16-0622	Male Contact - Pin, Nickel-plated	16	18-20	Stamped & Formed
AT62-16-0622	Female Contact - Socket, Nickel-plated	16	18-20	Stamped & Formed
AT60-16-0844	Male Contact - Pin, Gold-plated	16	20-22	Stamped & Formed
AT62-16-0844	Female Contact - Socket, Gold-plated	16	20-22	Stamped & Formed
AT60-16-0822	Male Contact - Pin, Nickel-plated	16	20-22	Stamped & Formed
AT62-16-0822	Female Contact - Socket, Nickel-plated	16	20-22	Stamped & Formed

Tooling - Stamped & Formed Contacts		
Part	Part Number	Description
	MFX-3950	Crimp Die - Size 16, 18-20AWG (S&F contacts only)
	MFX-3953	Crimp Die - Size 16, 16-18AWG (S&F contacts only)
	MFX-3975	Crimp Die - Size 16, 14-16AWG (S&F contacts only)
	MFX-3990	Crimp Die - Size 16, 20-22AWG (S&F contacts only)
	ATT-16-00	Hand Crimp Tool - Size 16, 14-16AWG (S&F contacts only)
	ATT-16-01	Hand Crimp Tool - Size 16, 18-20AWG (S&F contacts only)
	ATT-1612-03	Hand Crimp Tool - Size 16, 20-22AWG (S&F contacts only)

**Amphenol Sine Systems**  
 44724 Morley Drive  
 Clinton Township, MI 48036 USA  
[www.amphenol-sine.com](http://www.amphenol-sine.com)  
 09/2021