

Technical specification:

Rated voltage: IEC 61076-2-101	60 V
Current rating: IEC 61076-2-101	4 A at 40°C
Insulation resistance: IEC 60512	>=100 MΩ
Pollution degree: IEC 60664-1	3/2
Degree of protection: IEC 60529	IP 67, in mated condition
Temperature range:	-30°C ... +80°C
Mating cycles: IEC 60512-9a	>=100

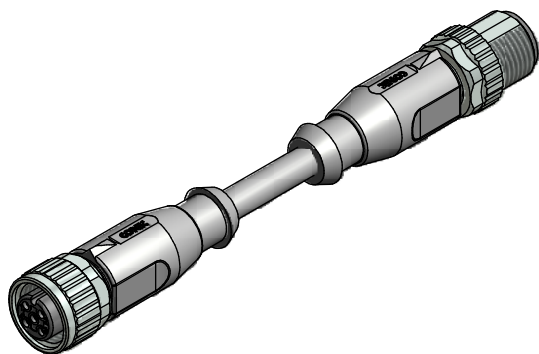
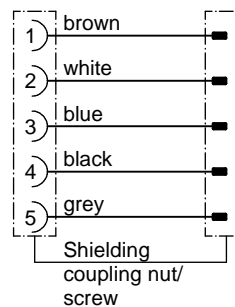
Materials:

Contact:	CuZn
Contact plating:	Nickel, gold plated
Contact carrier:	PA, UL 94
Sealing:	FPM
Coupling nut/ screw:	GD-Zn, nickel plated
Moulding body:	TPU, UL 94, grey

Installation specification:

Recommended torque:	0,6 Nm
Conec installation tool:	Torque wrench: 36-000200 Insert across flats 13: 36-000220

Contact assignment:



Part no:	Description:	Length L:	Cable:
43-10824	SAL - 12S - RK5.1 - RS5.1 - 0,3 / G3	0,3m	PVC, grey, 5x0,25mm ² Cable: 781-G32500
43-10825	SAL - 12S - RK5.1 - RS5.1 - 0,6 / G3	0,6m	
43-10826	SAL - 12S - RK5.1 - RS5.1 - 1,5 / G3	1,5m	
43-10827	SAL - 12S - RK5.1 - RS5.1 - 3,0 / G3	3m	
43-xxxxx	SAL - 12S - RK5.1 - RS5.1 - ... / G3	x	

D see data sheet cable

DO NOT ALTER CAD DRAWING BY HAND Directive 2011/65/EU RoHS compliant	Index: c 09.09.14 rbo Ä5338 Data sheet modified, material contact carrier was PBT	dim. in mm	title: Connecting cable M12x1, 360°-shielding, female connector axial - male connector axial									
	tolerance of cable: L ≤ 4m: L + 40mm L > 4m: L + 1%			<table border="1"> <tr> <td></td> <td>date</td> <td>name</td> </tr> <tr> <td>drawn</td> <td>08.03.07</td> <td>Fromm</td> </tr> <tr> <td>appd.</td> <td>08.03.07</td> <td>Mankopf</td> </tr> </table>		date	name	drawn	08.03.07	Fromm	appd.	08.03.07
		date		name								
	drawn	08.03.07		Fromm								
	appd.	08.03.07		Mankopf								
general tolerance: 0 ± 0,50mm 0,0 ± 0,25mm 0,00 ± 0,10mm		dwg no: 43K1A229										
THIS DRAWING MAY NOT BE COPIED OR REPRODUCED IN ANY WAY, AND MAY NOT BE PASSED ON TO A THIRD PARTY WITHOUT WRITTEN PERMISSION. OWNERSHIP AND COPYRIGHT OF CONEC GmbH		part no: see table										