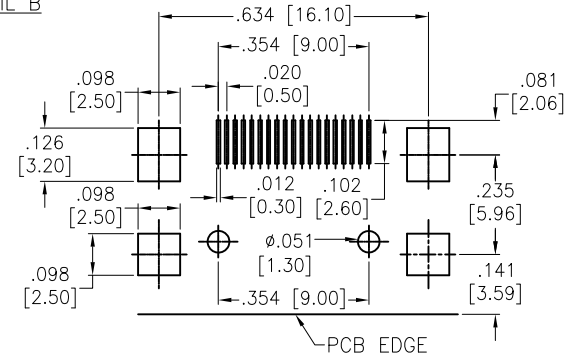
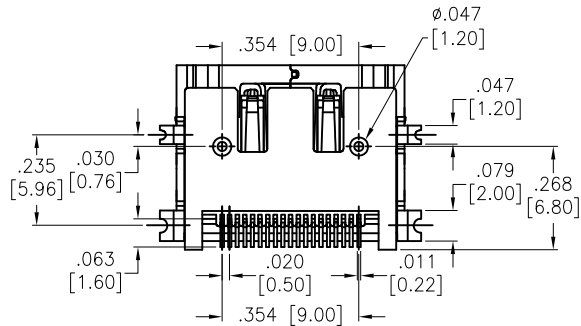
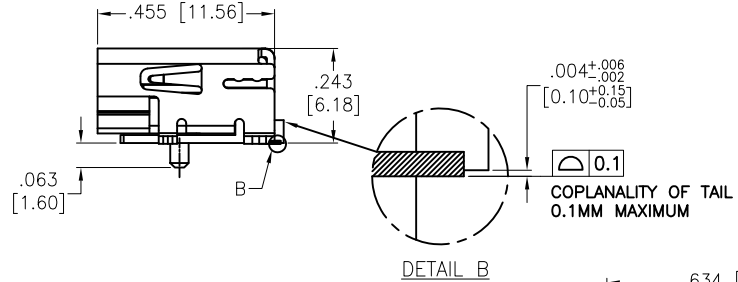
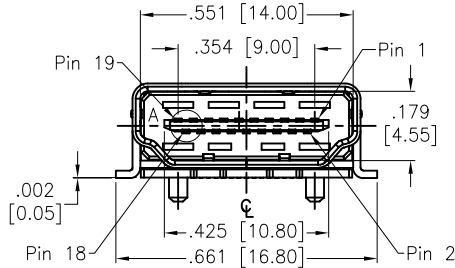
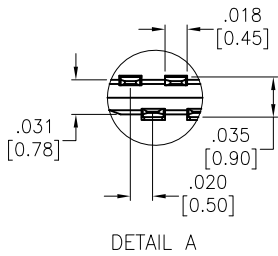
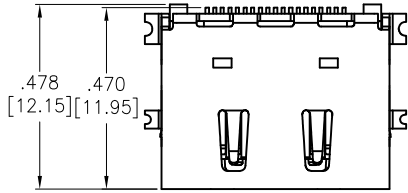


APPROVED: _____
 DATE: _____ TITLE: _____

| Rev | AWO # | Description | Date | Appr |
|-----|-------|-------------|----------|-------|
| - | 7155 | RELEASED | 10/09/06 | |
| A | | REDRAWN | 11/25/11 | |
| B | | ADDED DIM. | 9/6/18 | AY/TY |



SPECIFICATIONS:

Material:
 Insulator: Hi-Temp Thermoplastic, rated UL 94V-0
 Insulator color: Black
 Shield: Copper Alloy, Nickel Plated
 Contacts: Copper Alloy
 Plating:
 Gold Flash over Nickel underplate on contact area,
 Tin over Copper underplate on tails
 Electrical:
 Current rating: 0.5 Amps max.
 Contact resistance: 10 mohms max.
 Insulation resistance: 100 Mohms min.
 Dielectric withstanding voltage: 300 VAC for 1 minute
 Temperature Rating:
 Operating temperature: -55°C to +85°C
 Environmental:
 Lead free, RoHS compliant.



UNLESS OTHERWISE SPECIFIED
 ALL DIMENSIONS ARE INCHES [MM]
 TOLERANCES: EXCEPT AS NOTED

| INCHES | | HOLES | |
|--------|--------|-------|-------|
| .X | ± .10 | Ø.X | ±.10 |
| .XX | ± .020 | Ø.XX | ±.015 |
| .XXX | ± .015 | Ø.XXX | ±.010 |

| APPROVALS | | DATE |
|-----------|----|----------|
| DRAWN | BW | 10/09/06 |
| CHECKED | | |
| APPROVED | | |

ADAM TECH
 INTERCONNECTS
 909 Rahway Avenue,
 Union, NJ 07083
 Phone: 908-687-5000
 Fax: 908-687-5710

| | | |
|--|----------------------------|--------------|
| TITLE HDMI CONNECTOR, RIGHT ANGLE, SURFACE MOUNT | | |
| SIZE X | PART NO. HDMI-S-RA-TSMT | REV. B |
| REF: S00013T | SCALE: NTS | SHEET 1 OF 1 |