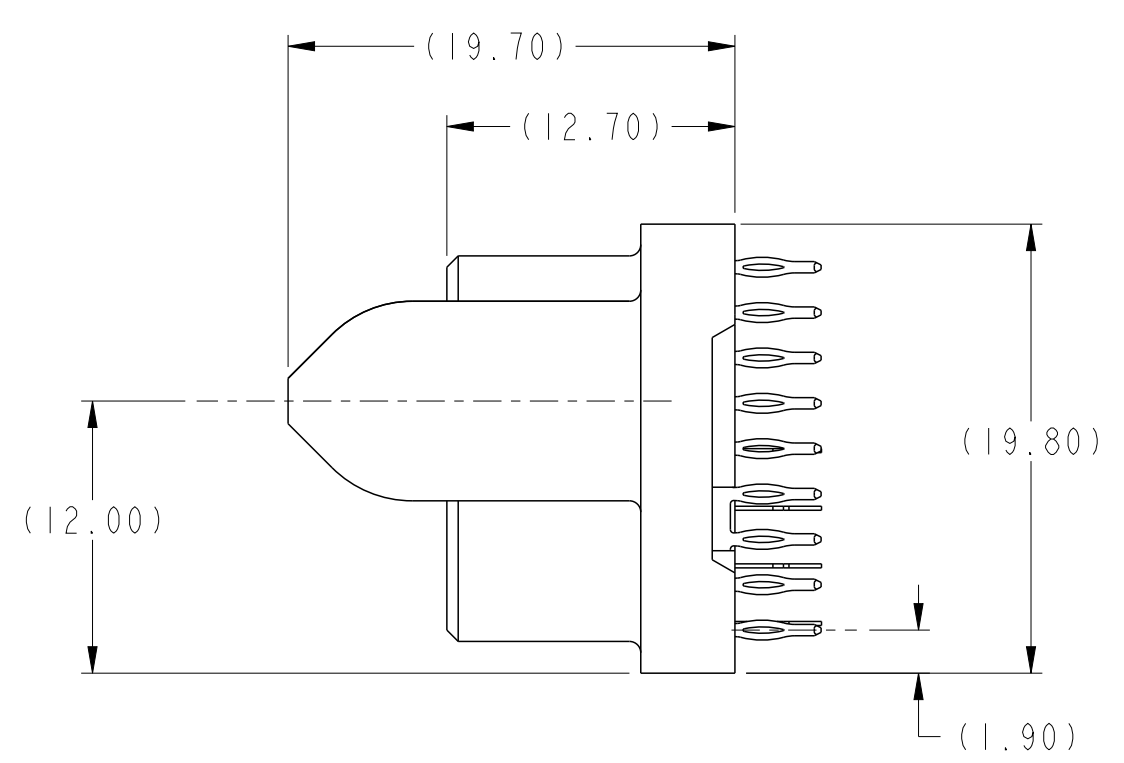
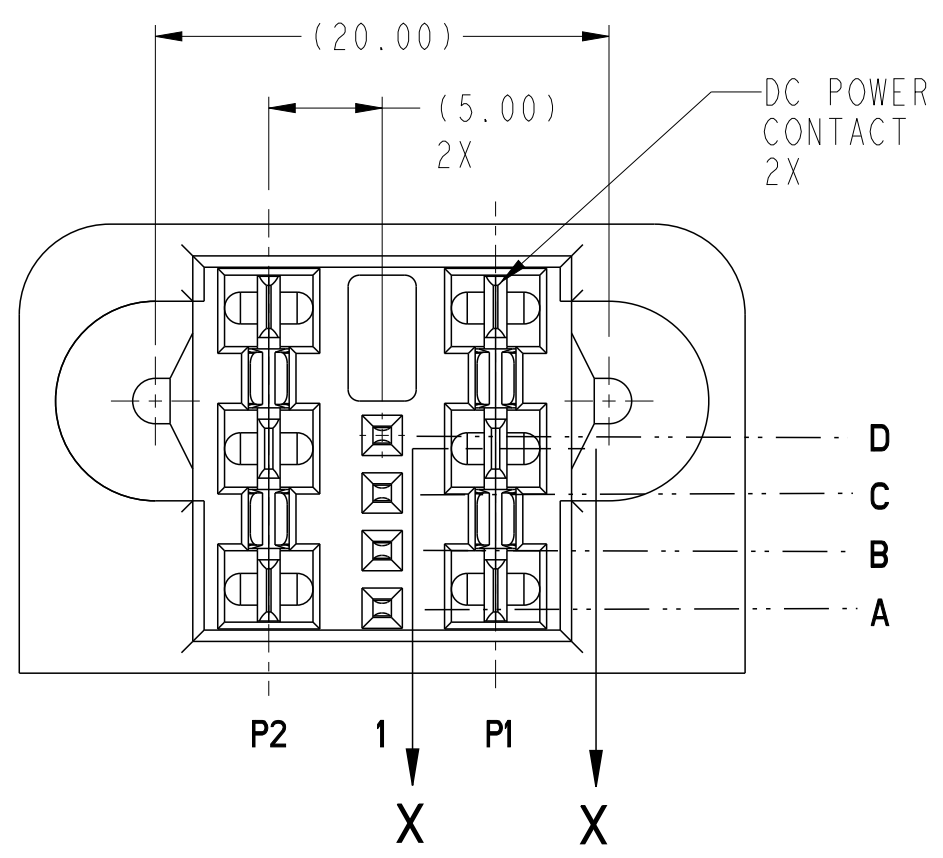


SECTION X-X



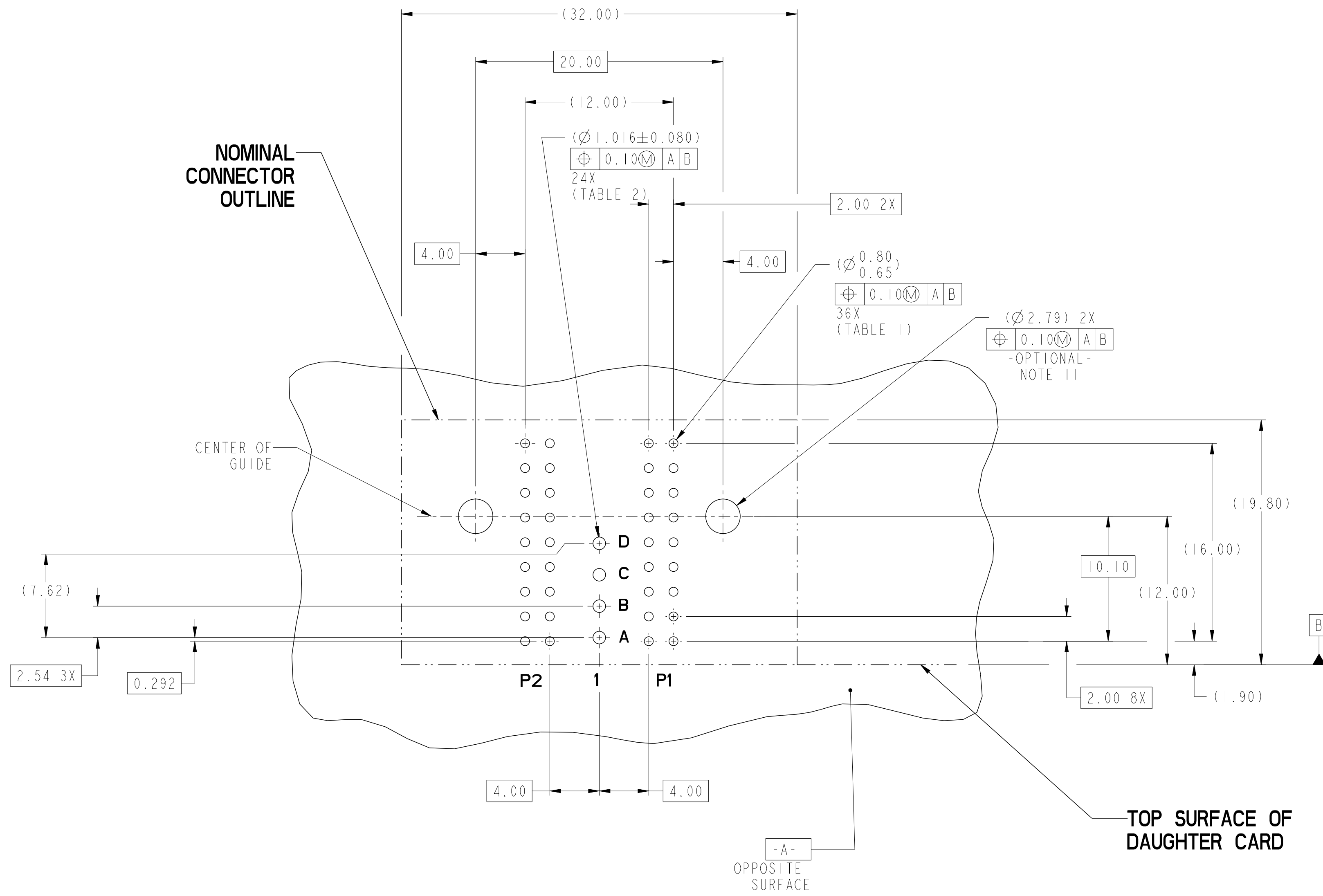
Copyright FCI. FCI

spec ref	*	dr	DuWa	2010/04/28	projection	MM	size	A2	scale	3:1
tolerance std	ASME Y14.5	eng	Helen Zhang	2012/07/23	chr	-	ecn no	-	rel level	Released
surface	✓	appr	Pei-Ming Zheng	2012/07/23	product family	HCI	cat. no.	10108306	rev	A
ASME Y14.5	linear	0.X	±0.5	0.XX	±0.25	0.XXX	±0.10	angular	0°	±2°
		www.fci.com		title		VERT RECPT ASSY IP-4S-IP		Product - Customer Drw		sheet 1 of 4

PDS: Rev :A

STATUS:Released

Printed: Jul 23, 2012



**RECOMMENDED PCB LAYOUT
COMPONENT SIDE**
NOTE 6

spec ref	*	dr	DuWa	2010/04/28	projection	MM	size	A2	scale	3:1
tolerance std	ASME Y14.5	eng	Helen Zhang	2012/07/23			ecn no	-	rel level	Released
TOLERANCES UNLESS OTHERWISE SPECIFIED		chr	-	app			Pei-Ming Zheng	2012/07/23	product family	HCI
surface	ASME Y14.5	linear	0.X	±0.5		VERT RECPT ASSY IP-4S-IP HCI POWER CONNECTOR	dwg no 10108306	rev A	Product - Customer Drw	
			0.XX	±0.25					sheet 2 of 4	
			0.XXX	±0.10						
angular	0°	±2°	www.fci.com	cat. no.	-	Product - Customer Drw		sheet 2 of 4		

PDS: Rev :A

STATUS:Released

Printed: Jul 23, 2012

Copyright FCI. FCI

A

A

B

B

C

C

D

D

E

E

F

F

TOP LAYER DESCRIPTION

TABLE 1 (HCI POWER)
PLATED THROUGH-HOLE REQUIREMENTS

TOP LAYER DESCRIPTION	DRILLED HOLE DIAMETER	COPPER THICKNESS	TIN-LEAD THICKNESS	NICKEL THICKNESS	GOLD THICKNESS	TIN THICKNESS	SILVER THICKNESS	FINISHED HOLE DIAMETER
TIN-LEAD	0.81-0.86 (0.85 DRILL)	0.025 - 0.050	0.005 - 0.015	--	--	--	--	0.65 - 0.80
IMMERSION TIN	0.81-0.86 (0.85 DRILL)	0.025 - 0.050	--	--	--	0.9 - 1.5um	--	0.70 - 0.80
IMMERSION SILVER	0.81-0.86 (0.85 DRILL)	0.025 - 0.050	--	--	--	--	0.15 - 0.65um	0.70 - 0.80
COPPER (SEE NOTE 9)	0.81-0.86 (0.85 DRILL)	0.025 - 0.050	--	--	--	--	--	0.70 - 0.80
GOLD	0.81-0.86 (0.85 DRILL)	0.025 - 0.050	--	0.003 - 0.007	FLASH UP TO 0.0002	--	--	0.69 - 0.80

TOP LAYER DESCRIPTION

TABLE 2 (HPC SIGNALS)
PLATED THROUGH-HOLE REQUIREMENTS

TOP LAYER DESCRIPTION	DRILLED HOLE DIAMETER	COPPER THICKNESS	TIN-LEAD THICKNESS	FINISHED HOLE DIAMETER
TIN-LEAD	1.125-1.175 ($\varnothing .0453 \pm .0010$)	0.025-0.050	0.005-0.015	0.94 - 1.10 ($\varnothing .040 \pm .003$)



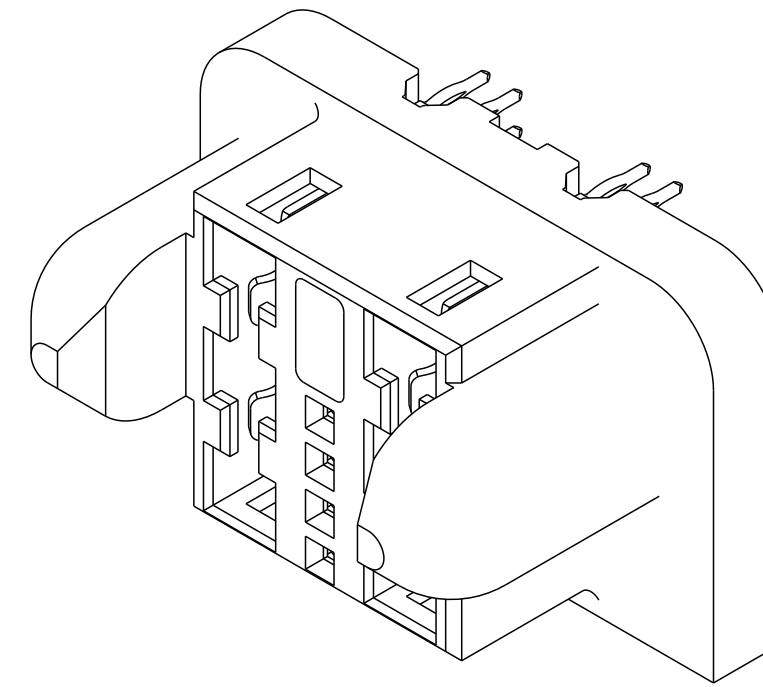
Copyright FCI.

spec ref	*	dr	DuWa	2010/04/28	projection	MM	size	A2	scale	3:1												
tolerance std	-	eng	Helen Zhang	2012/07/23			ecn no	-	rel level	Released												
ASME Y14.5	TOLERANCES UNLESS OTHERWISE SPECIFIED	chr	-	product family							HCI											
surface	<table border="1"> <tr> <td>linear</td> <td>0.X</td> <td>±0.5</td> </tr> <tr> <td></td> <td>0.XX</td> <td>±0.25</td> </tr> <tr> <td></td> <td>0.XXX</td> <td>±0.10</td> </tr> <tr> <td>angular</td> <td>0°</td> <td>±2°</td> </tr> </table>	linear	0.X	±0.5								0.XX	±0.25		0.XXX	±0.10	angular	0°	±2°	appr	Pei-Ming Zheng	2012/07/23
linear	0.X	±0.5																				
	0.XX	±0.25																				
	0.XXX	±0.10																				
angular	0°	±2°																				
ASME Y14.5		www.fci.com			diag no	10108306	rev	A														

PART NUMBER	M2.5 SCREW NOTE 11	TAIL PLATING	TAIL TYPE
10108306-001	OPTIONAL	SnPb	PRESS-FIT
10108306-001LF	OPTIONAL	Sn	PRESS-FIT

NOTES:

1. CONNECTOR MATERIALS:
HOUSING: HIGH TEMPERATURE THERMOPLASTIC, BLACK
UL 94V-0 COMPLIANT
CONTACTS: HIGH PERFORMANCE COPPER ALLOY
2. CONTACT FINISH (ref GS-12-380 SECTION 5.2)
3. PRODUCT SPECIFICATION: GS-12-380. (IN PROGRESS)
4. APPLICATION SPECIFICATION: GS-20-070. (IN PROGRESS)
5. MINIMUM NOMINAL PCB THICKNESS: 1.6mm
6. PACKAGING MEETS FCI SPECIFICATION GS-14-1073.
7. HOUSING COMPONENT WILL WITHSTAND EXPOSURE TO 260°C
PEAK TEMPERATURE FOR 60 SECONDS IN A CONVECTION, INFRA-RED,
OR VAPOR PHASE REFLOW OVEN.
8. COPPER PLATING THICKNESS IN CENTER OF VIA-HOLE CAN BE
NO MORE THAN 0.003 LESS THAN OTHER AREAS.
9. ALL HOLE SIZES ARE FINISHED HOLE SIZES.
10. RECOMMENDED RETENTION TO PCB:
Ø0.110[2.79] THRU HOLE (UNPLATED) FOR M2.5 SELF THREADING SCREW, MAX
HEAD Ø0.177[4.50].
RECOMMENDED SCREW LENGTH 0.276[7.00] + PCB THICKNESS.
RECOMMENDED SCREW SEATING TO PCB TORQUE: 2-5 lbf-in (2300-5760 gf-cm).



spec ref	*	dr	DuWa	2010/04/28	projection	MM	size	A2	scale	3:1
tolerance std	ASME Y14.5	eng	Helen Zhang	2012/07/23	chr	-	ecn no	-	rel level	Released
surface	✓	appr	Pei-Ming Zheng	2012/07/23	product family	HCI	rel level	Released	title	VERT RECPT ASSY IP-4S-IP
ASME Y14.5	linear	0.X	±0.5	0.XX	±0.25	0.XXX	±0.10	angular	0°	±2°
		www.fci.com		cat. no.	-	Product - Customer Drw	sheet 4 of 4	rev	A	

PDS: Rev :A

STATUS:Released

Printed: Jul 23, 2012



Copyright FCI.