

- PIN No.1: DAT2
- PIN No.2: CD/DAT3<sup>2</sup>
- PIN No.3: CMD
- PIN No.4: VDD
- PIN No.5: CLK
- PIN No.6: Vss
- PIN No.7: DAT0
- PIN No.8: DAT1

NOTES:

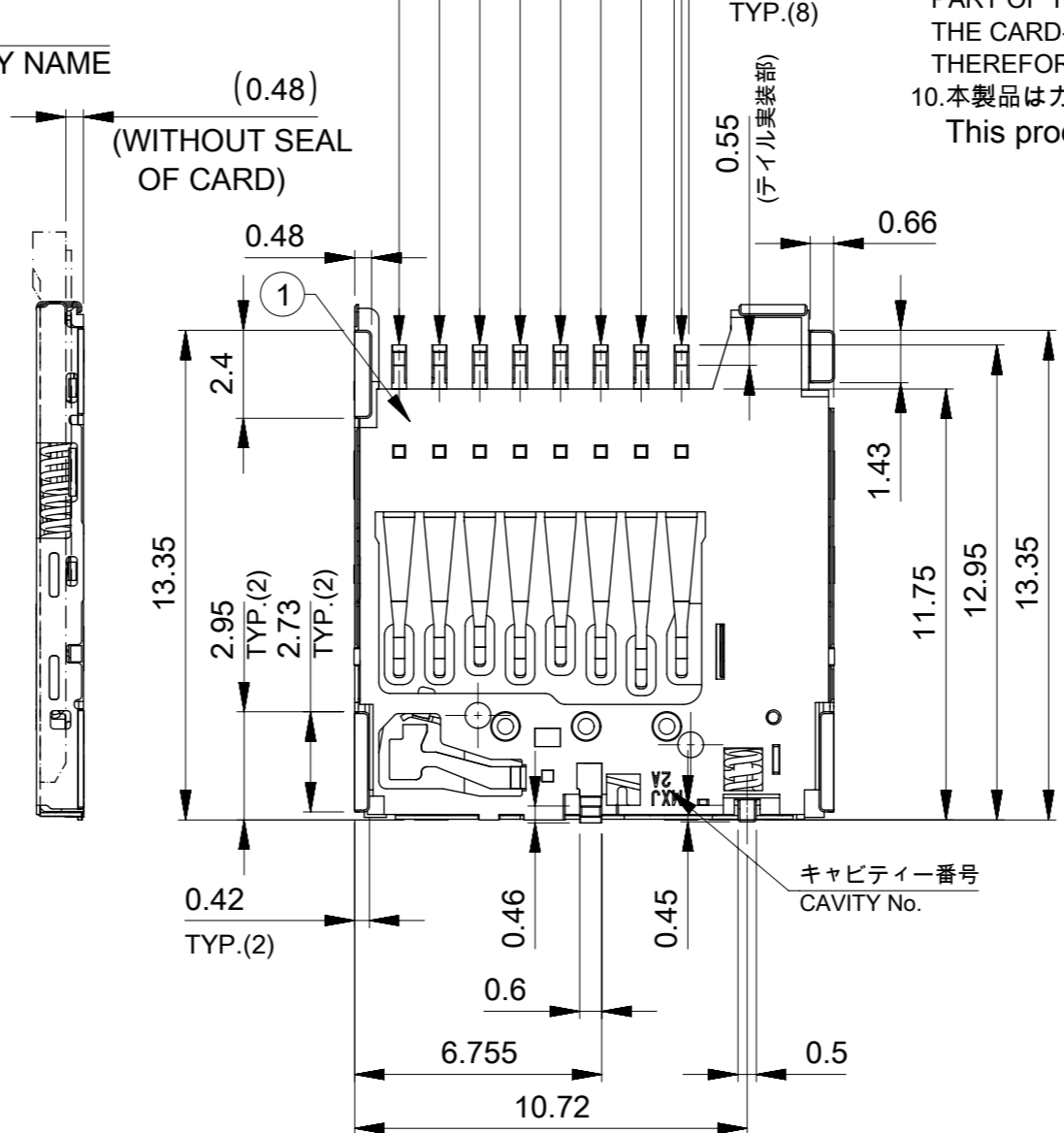
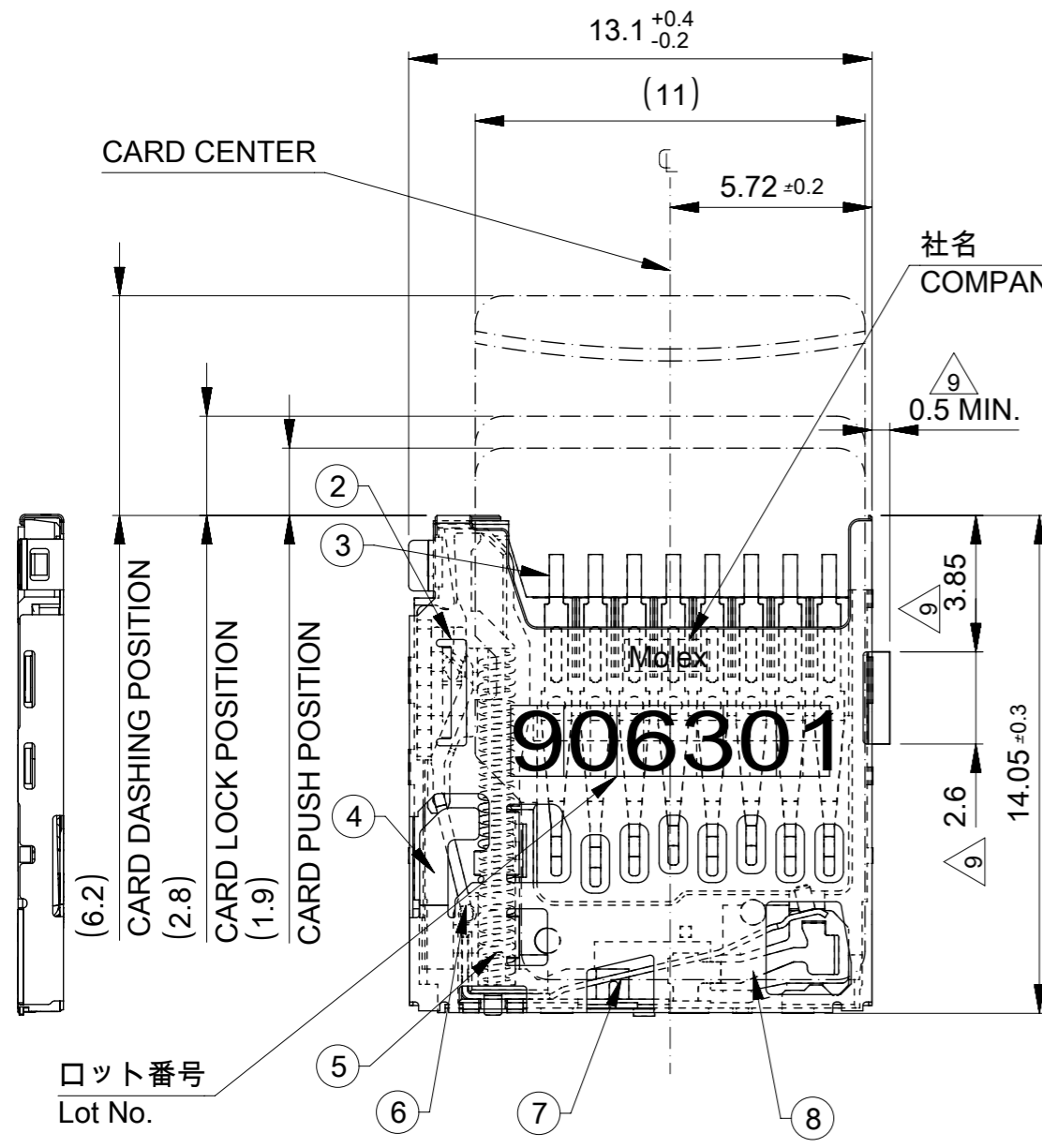
- 1.ターミナル及びネイルの平坦度は0.1 MAX.  
(測定用定板面を基準)
- △2.ターミナル及びネイルの平坦度は0.1 MAX.(FROM GAUGE PLANE)
- 2.スタンドオフ寸法 STAND OFF
- △3.パターン禁止エリア PATTERN PROHIBITION AREA
- 4.カード検知スイッチ DETECT SWITCH

カード挿入時 CARD INSERTING POSITION	クローズ CLOSE
カード未挿入時 NO CARD	オープン OPEN

- 5.肉抜き位置は任意とする。CAVITY IS TO BE OPTIONAL.
- 6.ロット印字は任意とする。LOT NUMBERING IS TO BE OPTIONAL.
- △7.GND 推奨パターン GND RECOMMENDED PATTERN.
- 8.ELV 及びRoHS適合品 ELV AND RoHS COMPLIANT.
- △9.カード裏挿し誤挿入時、カード突出エリア  
(他の部品の設置、非推奨範囲)

WHEN A CARD IS MISS-MATED IN THE REVERSE ORIENTATION, PART OF THE CARD PROTRUDES FROM THE SHELL DUE TO THE CARD-MISS MATING PREVENTION FEATURE. THEREFORE, NO COMPONENTS ARE ALLOWED TO BE PLACED IN THIS AREA.

10.本製品はカード排出性向上品です。  
This product is card ejection performance improvement type.



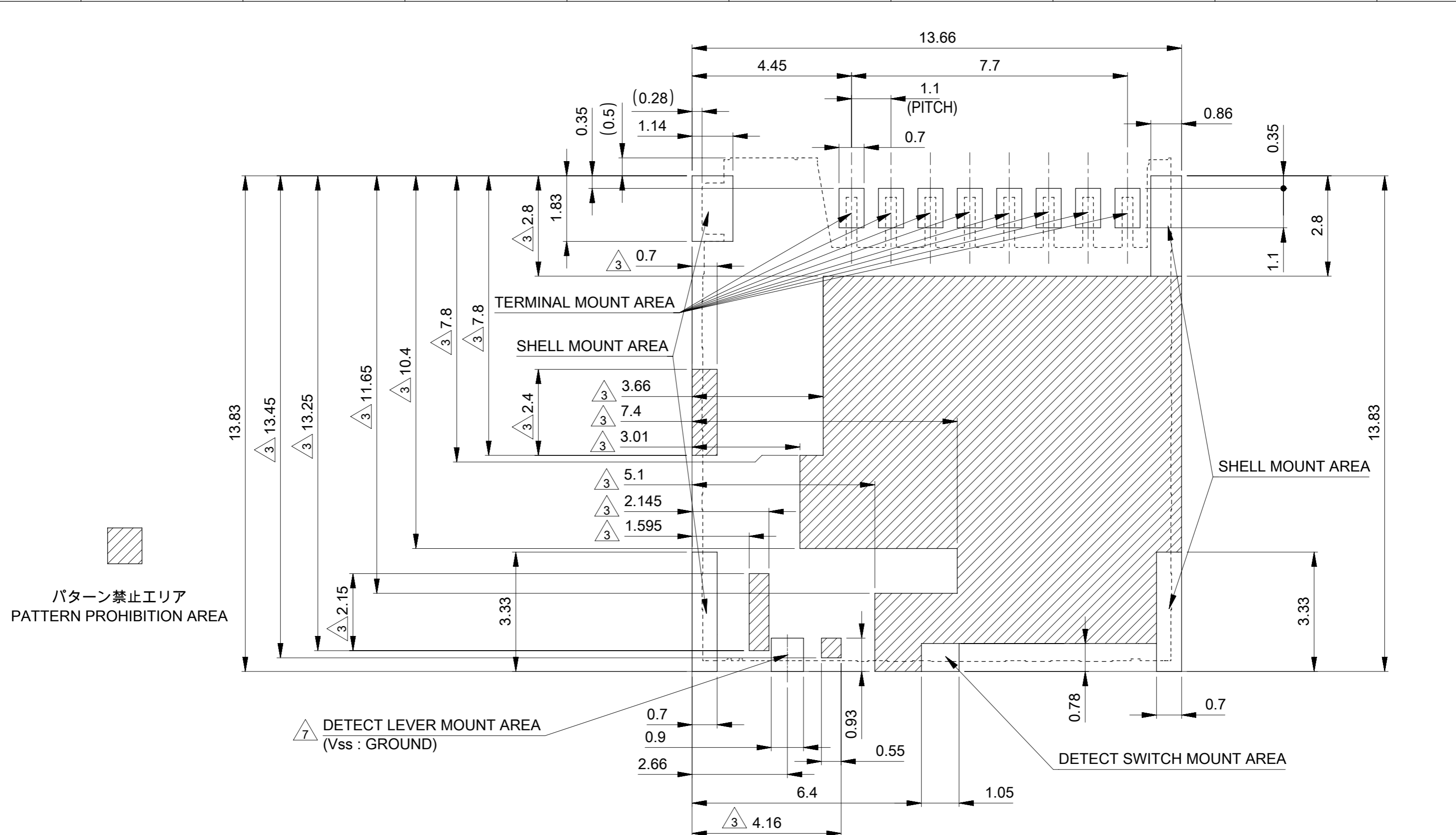
109011C

1 : Year(2011)  
09: Month(9)  
01: Day(1)  
1 : Line No.

IDENTIFICATION MARK  
C : 503398-1892(ORDER NO.)

503398-1892	8
EMBOSSED PACKAGE	極数
オーダー番号 ORDER NO.	CIRCUITS
CONNECTOR SERIES No. 503398-1821	

GENERAL TOLERANCES: (UNLESS SPECIFIED) 一般公差		THIS DRAWING CONTAINS INFORMATION THAT IS PROPRIETARY TO MOLEX ELECTRONIC TECHNOLOGIES, LLC AND SHOULD NOT BE USED WITHOUT WRITTEN PERMISSION	
10 UNDER 未満	±0.2	DIMENSION UNITS	SCALE
10 OVER 以上	30 UNDER 未満	mm	1:1
30 OVER 以上		GENERAL TOLERANCES (UNLESS SPECIFIED)	CURRENT REV DESC:
ANGLE 角度	±3°	ANGULAR TOL ±	EC NO: 635207
		4 PLACES ±	DRWN: YSEKI01 2020/04/02
		3 PLACES ±	CHK'D: MSASAO 2020/04/02
		2 PLACES ±	APPR: YNAITO 2020/04/02
		1 PLACE ±	INITIAL REVISION:
		0 PLACES ±	DRWN: YGOTO 2011/12/13
			APPR: YOITO 2011/12/16
DRAFT WHERE APPLICABLE MUST REMAIN WITHIN DIMENSIONS		THIRD ANGLE PROJECTION	DRAWING
			A3-SIZE
		SERIES	503398
		MATERIAL NUMBER	SEE CHART
		CUSTOMER	GENERAL MARKET
		DOCUMENT NUMBER	SD-503398-003
		DOC TYPE	PSD
		DOC PART	001
		REVISION	A3
		SHEET NUMBER	1 OF 3



RECOMMENDED  
PCB PATTERN LAYOUT  
(GENERAL TOLERANCE : ±0.05)

GENERAL TOLERANCES: (UNLESS SPECIFIED) 一般公差		
10 UNDER 未満		±0.2
10 OVER 以上	30 UNDER 未満	±0.25
30 OVER 以上		±0.3
ANGLE	角度	±3°

THIS DRAWING CONTAINS INFORMATION THAT IS PROPRIETARY TO MOLEX ELECTRONIC TECHNOLOGIES, LLC AND SHOULD NOT BE USED WITHOUT WRITTEN PERMISSION	
DIMENSION UNITS	SCALE
mm	1:1
GENERAL TOLERANCES (UNLESS SPECIFIED)	
ANGULAR TOL	± °
4 PLACES	±
3 PLACES	±
2 PLACES	±
1 PLACE	±
0 PLACES	±

CURRENT REV DESC:			
EC NO: 635207			
DRWN: YSEKI01		2020/04/02	
CHK'D: MSASAO		2020/04/02	
APPR: YNAITO		2020/04/02	
INITIAL REVISION:			
DRWN: YGOTO		2011/12/13	
APPR: YOITO		2011/12/16	

<b>molex</b>			
MICRO SD CONN. PUSH/PUSH & NORMAL SUPER-SMALL TYPE			
PRODUCT CUSTOMER DRAWING			
DOCUMENT NUMBER	DOC TYPE	DOC PART	REVISION
SD-503398-003	PSD	001	A3
DRAFT WHERE APPLICABLE MUST REMAIN WITHIN DIMENSIONS	THIRD ANGLE PROJECTION	DRAWING	SERIES
	⊕	A3-SIZE	503398
MATERIAL NUMBER	CUSTOMER	SHEET NUMBER	
	GENERAL MARKET	2 OF 3	

番号 NO.	名称 NAME	材料 MATERIAL	仕上げ(めっき) FINISHES (PLATING)
1	ハウジング HOUSING	液晶ポリマー(LCP)、ガラス充填、UL94 V-0、黒 LIQUID CRYSTAL POLYMER (LCP), GLASS FILLED, UL94 V-0, BLACK ポリプラスチック製 VECTRA S475 VECTRA S475 MADE OF POLYPLASTICS	
2	カムスライダー CAM SLIDER	液晶ポリマー(LCP)、ガラス充填、UL94 V-0、黒 LIQUID CRYSTAL POLYMER (LCP), GLASS FILLED, UL94 V-0, BLACK ポリプラスチック製 VECTRA E130i VECTRA E130i MADE OF POLYPLASTICS	
3	ターミナル TERMINAL	燐青銅 C52100(t=0.15) PHOSPOHR BRONZE C52100(t=0.15)	接触部：金めっき (0.5μm MIN.) テール部：錫めっき (2.0μm MIN.) 下地：ニッケルめっき (1.0μm MIN.) CONTACT AREA : GOLD PLATING (0.5 MICROMETER MINIMUM.) SOLDER TAIL AREA : TIN PLATING (2.0 MICROMETER MINIMUM.) UNDERPLATE : NICKEL OVERALL (1.0 MICROMETER MINIMUM.)
4	シェル SHELL	ステンレス鋼 SUS301(t=0.1) STAINLESS STEEL SUS301(t=0.1)	基板実装部：金めっき (0.02μm MIN.) 下地：ニッケルめっき (0.5μm MIN.) NAIL AREA : GOLD PLATING (0.02 MICROMETER MINIMUM.) UNDERPLATE : NICKEL OVERALL (0.5 MICROMETER MINIMUM.)
5	スプリング SPRING	ピアノ線 SWP	全面：ニッケルめっき (3.0μm MIN.) NICKEL OVERALL (3.0 MICROMETER MINIMUM.)
6	ピン PIN	ステンレス鋼 SUS304 STAINLESS STEEL SUS304	
7	ディテクト レバー DETECT LEVER	燐青銅 C52100(t=0.15) PHOSPOHR BRONZE C52100(t=0.15)	接触部：金めっき (0.2μm MIN.) 基板実装部：金めっき 下地：ニッケルめっき CONTACT AREA : GOLD PLATING (0.2 MICROMETER MINIMUM.) NAIL AREA : GOLD PLATING UNDERPLATE : NICKEL OVERALL
8	ディテクト スイッチ DETECT SWITCH	燐青銅 C52100(t=0.15) PHOSPOHR BRONZE C52100(t=0.15)	接触部：金めっき (0.2μm MIN.) 基板実装部：金めっき 下地：ニッケルめっき CONTACT AREA : GOLD PLATING (0.2 MICROMETER MINIMUM.) NAIL AREA : GOLD PLATING UNDERPLATE : NICKEL OVERALL

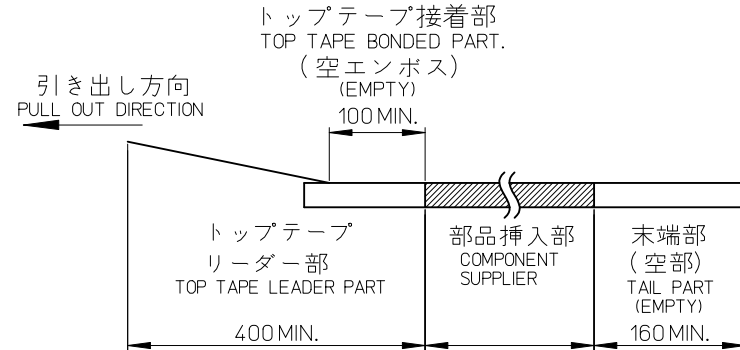
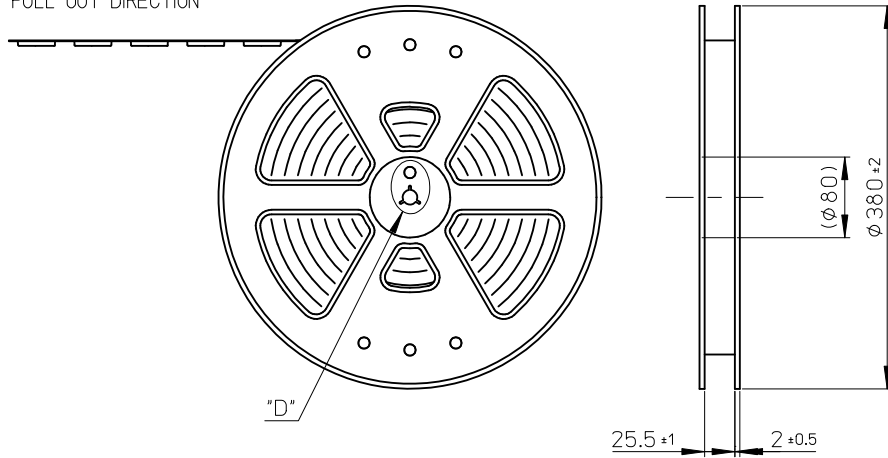
GENERAL TOLERANCES: (UNLESS SPECIFIED) 一般公差		THIS DRAWING CONTAINS INFORMATION THAT IS PROPRIETARY TO MOLEX ELECTRONIC TECHNOLOGIES, LLC AND SHOULD NOT BE USED WITHOUT WRITTEN PERMISSION	
10 UNDER 未満	±0.2	mm	SCALE 1:1
10 OVER 以上	30 UNDER 未満	±0.25	CURRENT REV DESC:
30 OVER 以上	±0.3	ANGULAR TOL ± °	EC NO: 635207
ANGLE 角度	±3°	4 PLACES ±	DRWN: YSEKI01 2020/04/02
		3 PLACES ±	CHK'D: MSASAO 2020/04/02
		2 PLACES ±	APPR: YNAITO 2020/04/02
		1 PLACE ±	INITIAL REVISION:
		0 PLACES ±	DRWN: YGOTO 2011/12/13
			APPR: YOITO 2011/12/16
DRAFT WHERE APPLICABLE MUST REMAIN WITHIN DIMENSIONS		THIRD ANGLE PROJECTION	DRAWING
			A3-SIZE
		SERIES	503398
		MATERIAL NUMBER	GENERAL MARKET
		CUSTOMER	
		DOCUMENT NUMBER	SD-503398-003
		DOC TYPE	PSD
		DOC PART	001
		REVISION	A3
		SHEET NUMBER	3 OF 3

DOCUMENT STATUS	P1	RELEASE DATE	2020/04/02	04:22:19
-----------------	----	--------------	------------	----------

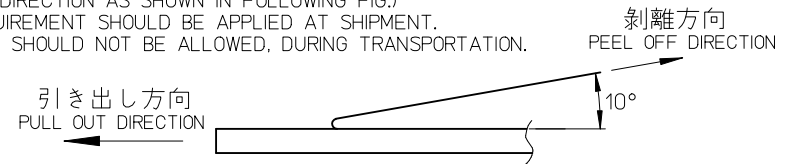
NOTES

- 製品詳細寸法については、SD 図面を参照下さい。  
RE DETAILED DIMENSION, SEE SALES DRAWING.
- 梱包数量: 2400個/リール  
NUMBER OF CONNECTORS: 2400 PCS/REEL.
- リードテープ長さ LEAD TAPE LENGTH.

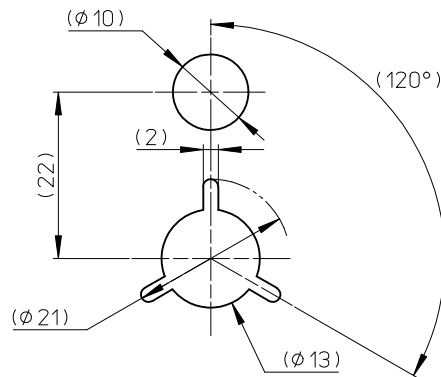
引き出し方向  
PULL OUT DIRECTION



- トップテープの剥離強度: JIS C0806-3に準拠(剥離方向は下図参照)  
尚、本規格値は出荷時に適用。(但し、輸送時に剥離が発生しないこと。)  
PEELING OFF FORCE OF TOP TAPE: BASED UPON JIS C0806-3  
(PEELING DIRECTION AS SHOWN IN FOLLOWING FIG.)  
THIS REQUIREMENT SHOULD BE APPLIED AT SHIPMENT.  
PEEL OFF SHOULD NOT BE ALLOWED, DURING TRANSPORTATION.



- 材料 MATERIAL  
キャリアテープ (CARRIER TAPE): ポリスチレン (POLYSTYRENE)  
トップテープ (TOP TAPE): PET, PE, PEF  
リール (REEL): ポリスチレン (PS) <リサイクル材含む>  
POLYSTYRENE (PS) <RECYCLE MATERIAL CONTAINED>

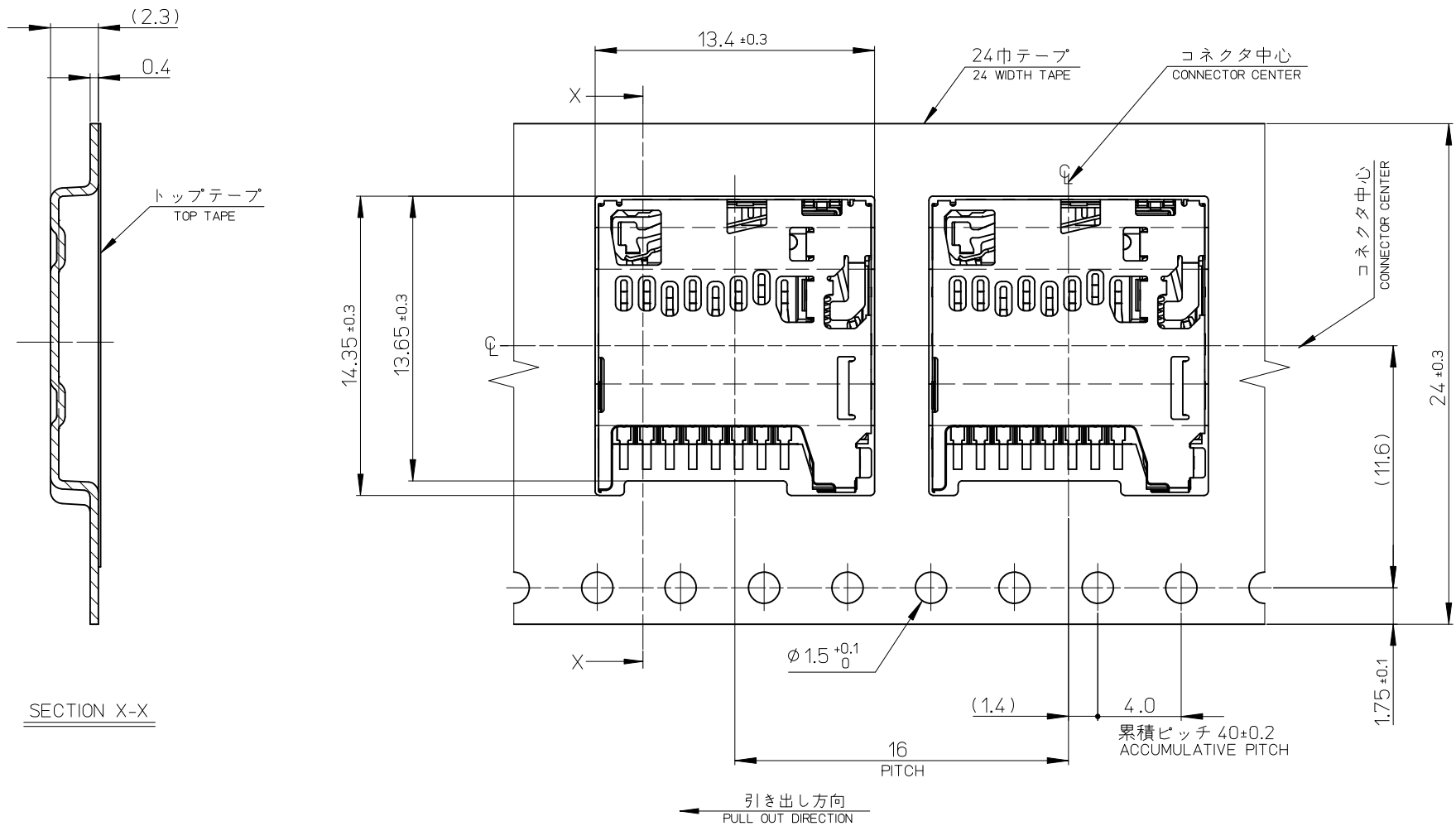


DETAIL "D"

503398-1892	8
EMBOSSED PACKAGE	極数
オーダー番号 ORDER NO.	CIRCUITS
CONNECTOR SERIES No. 503398-1821	

RELEASED EC NO: J2012-0534 DRWN: YGOTO 2011/12/13 CHKD: MTOMITA 2011/12/13 APPR: YOITO 2011/12/16 REV: 0	GENERAL TOLERANCES (UNLESS SPECIFIED)		DIMENSION STYLE MM ONLY		SCALE 1:1	DESIGN UNITS METRIC	THIRD ANGLE PROJECTION
	10 UNDER	± 0.2	DRAWN BY YGOTO	DATE 2011/12/13	TITLE EMBOSSED TAPE PACKAGE FOR 503398-18**		
	10 OVER 30 UNDER	± 0.25	CHECKED BY MTOMITA	DATE 2011/12/13	MATERIAL NO. SEE CHART		
	30 OVER	± 0.3	APPROVED BY YOITO	DATE 2011/12/16	DOCUMENT NO. SD-503398-004		
ANGULAR ± 1 °		DRAFT WHERE APPLICABLE MUST REMAIN WITHIN DIMENSIONS		SIZE A3	SHEET NO. 1 OF 2		

10 9 8 7 6 5 4 3 2 1



<b>RELEASED</b> EC NO: J2012-0534 DRWN: YGOTO 2011/12/13 CHKD: MTOMITA 2011/12/13 APPR: YOITO 2011/12/16 REV: 0	<b>GENERAL TOLERANCES (UNLESS SPECIFIED)</b>		<b>DIMENSION STYLE</b> MM ONLY		SCALE ---	DESIGN UNITS METRIC	THIRD ANGLE PROJECTION
	10 UNDER	± 0.2	DRAWN BY	DATE	TITLE		
	10 OVER 30 UNDER	± 0.25	YGOTO	2011/12/13	EMBOSSED TAPE PACKAGE FOR 503398-18**		
	30 OVER	± 0.3	CHECKED BY	DATE	MOLEX INCORPORATED		
	ANGULAR	± 1 °	MTOMITA	2011/12/13	MATERIAL NO. DOCUMENT NO. SHEET NO.		
DRAFT WHERE APPLICABLE MUST REMAIN WITHIN DIMENSIONS		APPROVED BY YOITO 2011/12/16	SEE CHART	SD-503398-004	2 OF 2		
THIS DRAWING CONTAINS INFORMATION THAT IS PROPRIETARY TO MOLEX INCORPORATED AND SHOULD NOT BE USED WITHOUT WRITTEN PERMISSION							