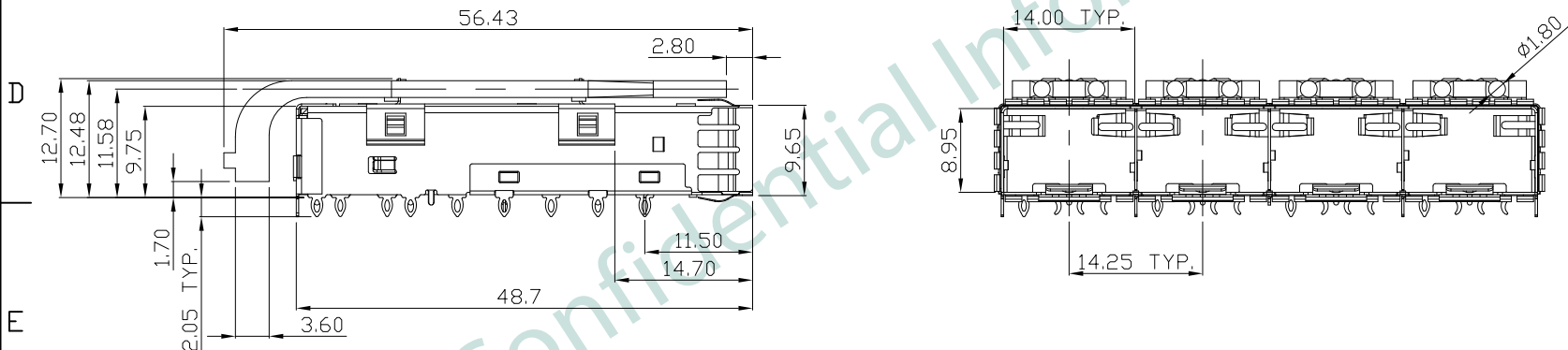
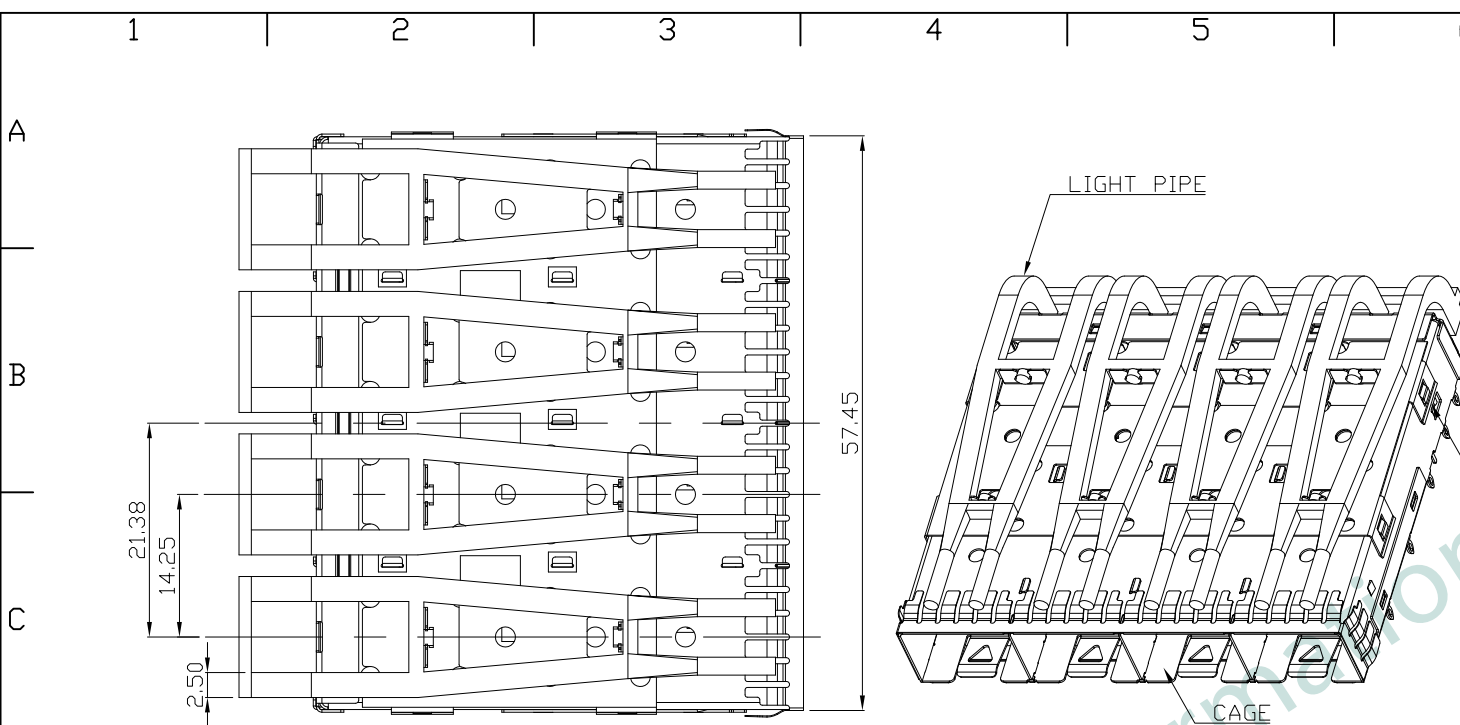


REV.	DATE	DESCRIPTION
01	Mar. 15, '19	1st RELEASE

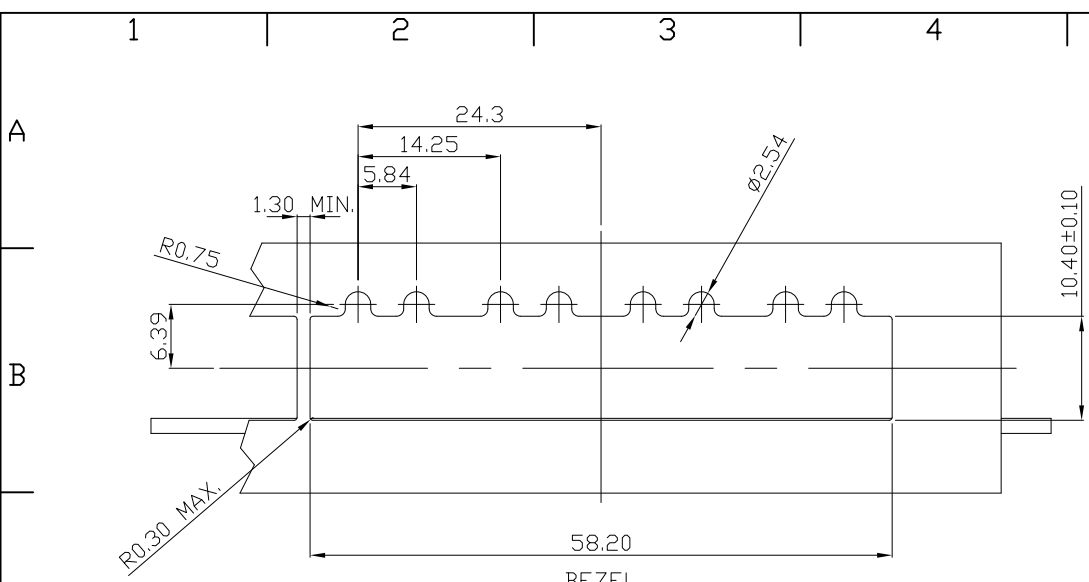
- NOTES:
- CAGE: T=0.25mm COPPER ALLOY
 - CLIP: STAINLESS STEEL
 - LIGHT PIPE: POLYCARBONATE COLOR-CLEAR
 - UNSPECIFIED TOLERANCE: .XXX ±0.15
.XX ±0.25



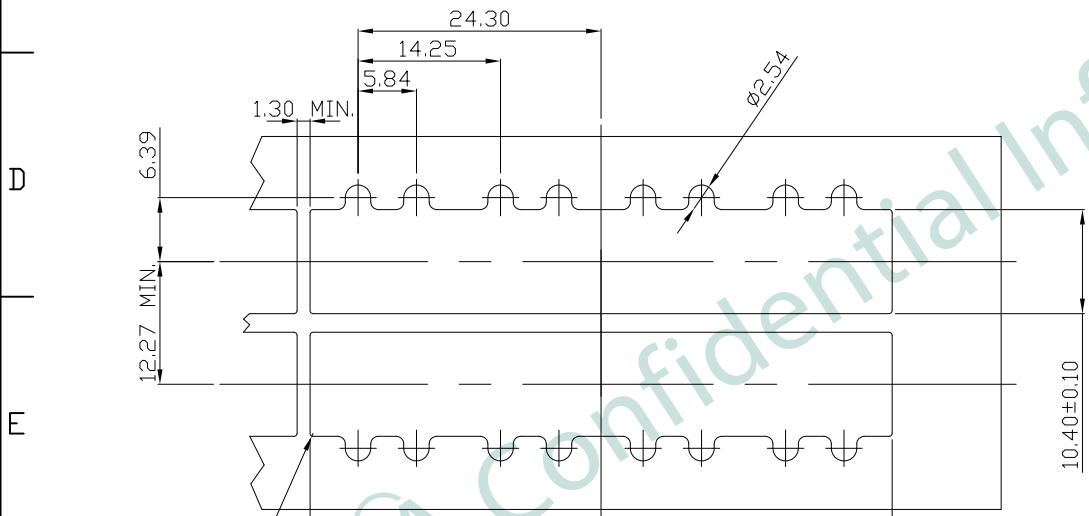
KSFP-A-PPFB-0412-XXX

PRODUCT A: CAGE
 CATEGORY P: SFP+
 TERMINAL TYPE PF: PRESS FIT
 EMI TYPE B: EMI GASKET TAB
 SERIAL NUMBER
 OPTION I: W/LIGHT PIPE
 NUMBER OF PORT
 CUSTOMER CODE

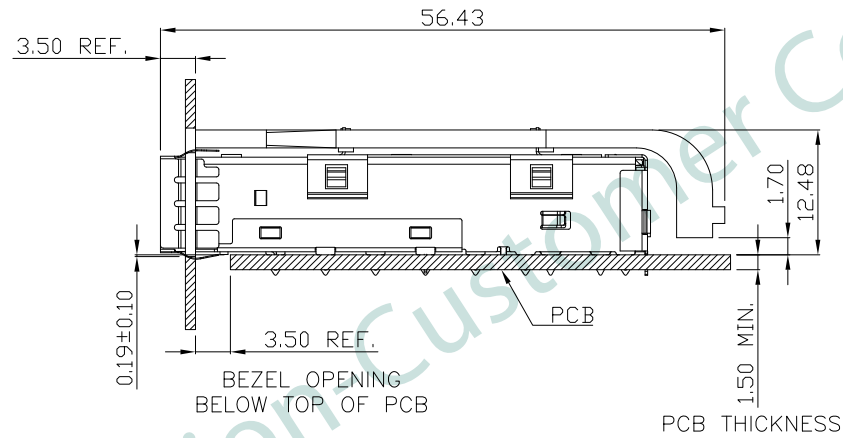
PART NO		KSFP-A-PPFB-0412-XXX		
TITLE	SFP+ 1X4 CAGE, PRESS FIT TYPE, W/LIGHT PIPE			
REV : 01				
UNIT	DRAWN	CHKD	DATE	SHEET
mm[inch]	CINDY	VINCENT	Mar. 15, '19	1 of 4



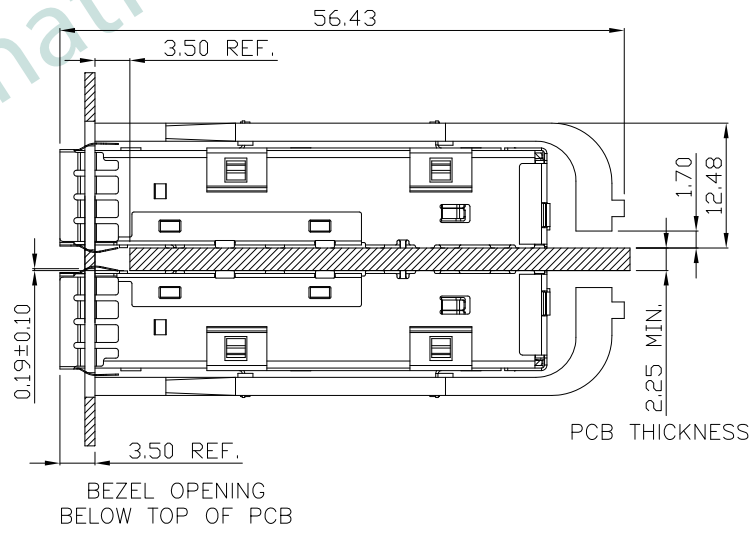
BEZEL
RECOMMENDED PANEL CUTOUT AND PC BOARD
PANEL POSITION AND THICKNESS: 0.8-2.6



BEZEL
RECOMMENDED PANEL CUTOUT AND PC BOARD
PANEL POSITION AND THICKNESS: 0.8-2.6

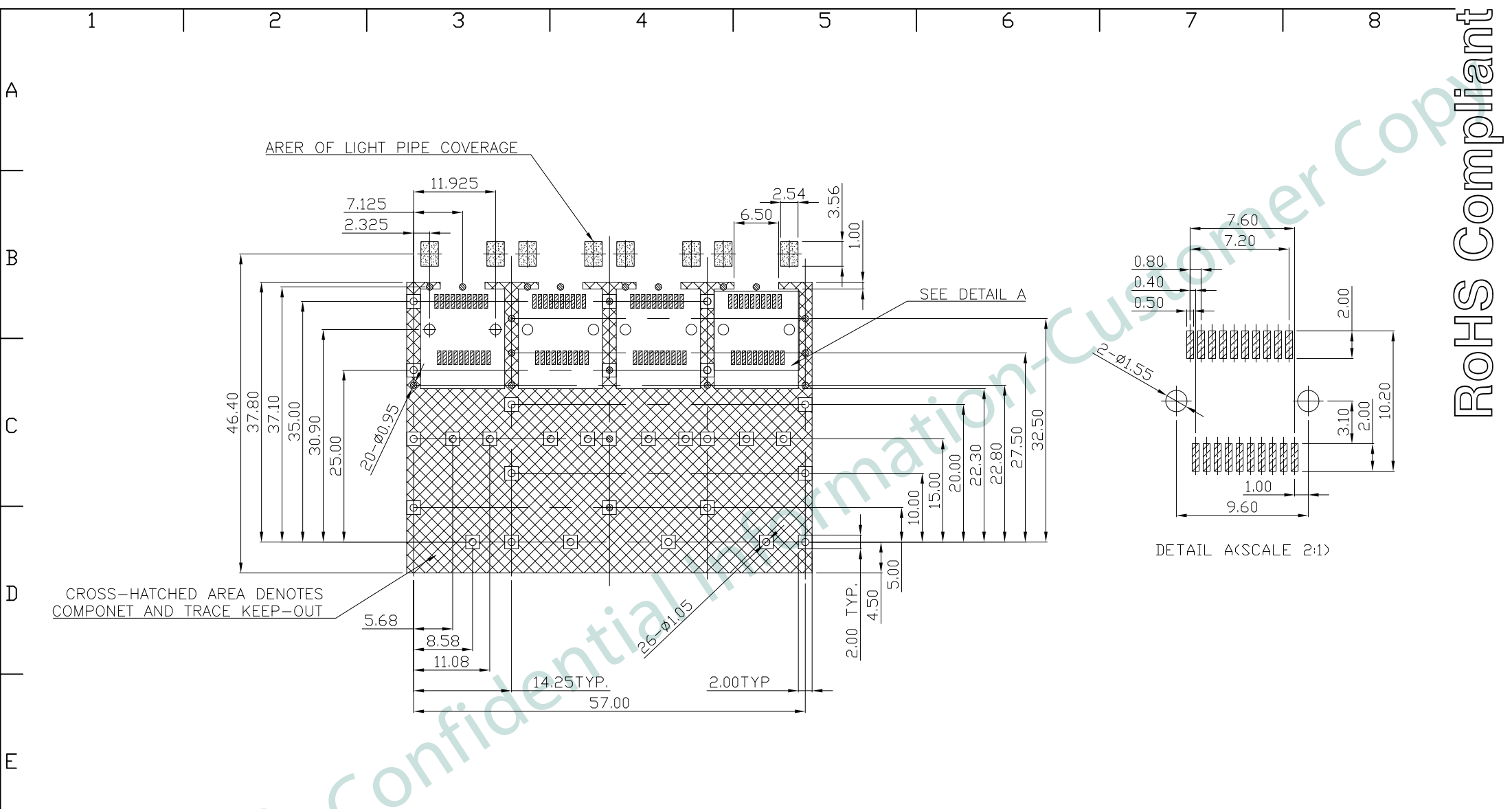


PCB
PCB THICKNESS
BEZEL OPENING BELOW TOP OF PCB



PCB THICKNESS
BEZEL OPENING BELOW TOP OF PCB

PART NO		KSFP-A-PPFB-0412-XXX		
TITLE	SFP+ 1X4 CAGE, PRESS FIT TYPE, W/LIGHT PIPE			
REV : 01				
UNIT	DRAWN	CHKD	DATE	SHEET
mm[inch]	CINDY	VINCENT	Mar. 15, '19	2 of 4

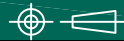


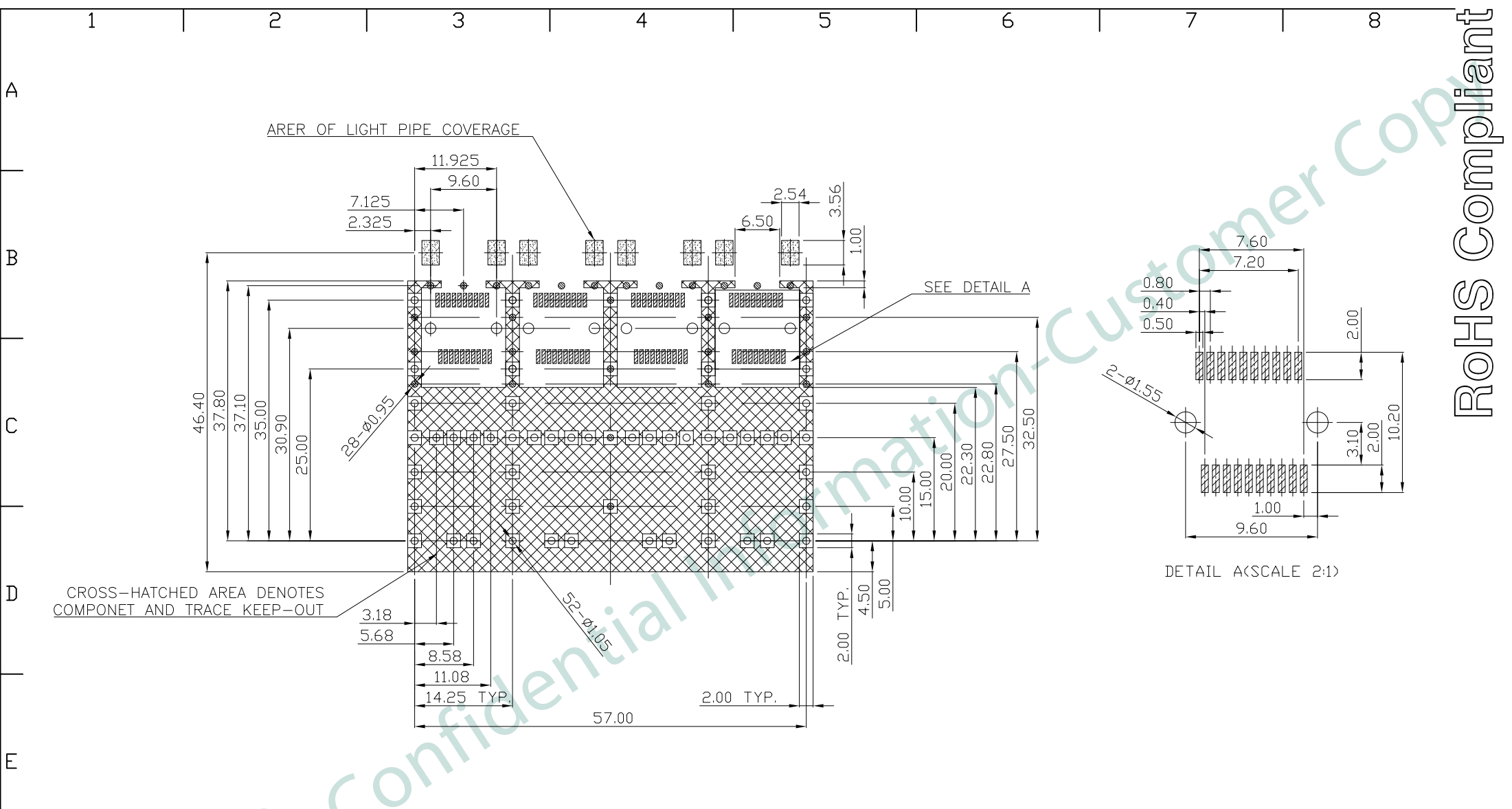
CROSS-HATCHED AREA DENOTES COMPONENT AND TRACE KEEP-OUT

RECOMMENDED PCB LAYOUT (COMPONENT SIDE)

RECOMMENDED MINIMUM PCB THICKNESS: 1.50mm
(ALL TOLERANCES ARE ±0.05)

RECOMMENDED PCB CONFIGURATION WITH KEEP-OUT AREAS SINGLE SIDED APPLICATIONS

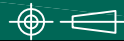
 PART NO		KSFP-A-PPFB-0412-XXX		
TITLE	SFP+ 1X4 CAGE, PRESS FIT TYPE, W/LIGHT PIPE			
REV : 01				
UNIT	DRAWN	CHKD	DATE	SHEET
mm[inch]	CINDY	VINCENT	Mar. 15, '19	3 of 4



RECOMMENDED PCB LAYOUT (COMPONENT SIDE)

RECOMMENDED MINIMUM PCB THICKNESS: 2.25mm
(ALL TOLERANCES ARE ±0.05)

RECOMMENDED PCB CONFIGURATION WITH KEEP-OUT
AREAS BELLY TO BELLY APPLICATIONS

 PART NO KSFP-A-PPFB-0412-XXX				
TITLE	SFP+ 1X4 CAGE, PRESS FIT TYPE, W/LIGHT PIPE			
REV : 01				
UNIT	DRAWN	CHKD	DATE	SHEET
mm[inch]	CINDY	VINCENT	Mar. 15, '19	4 of 4