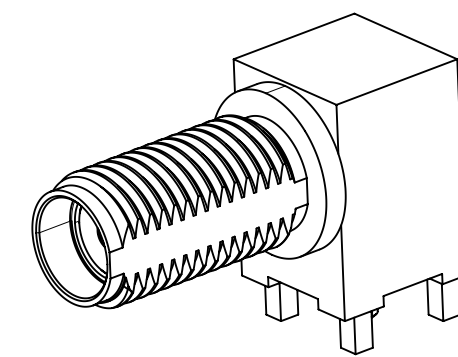
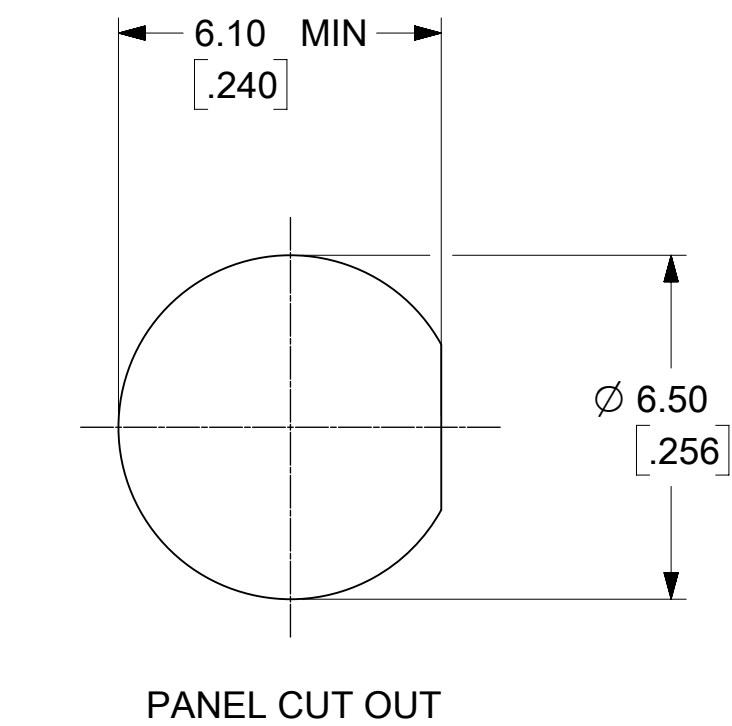
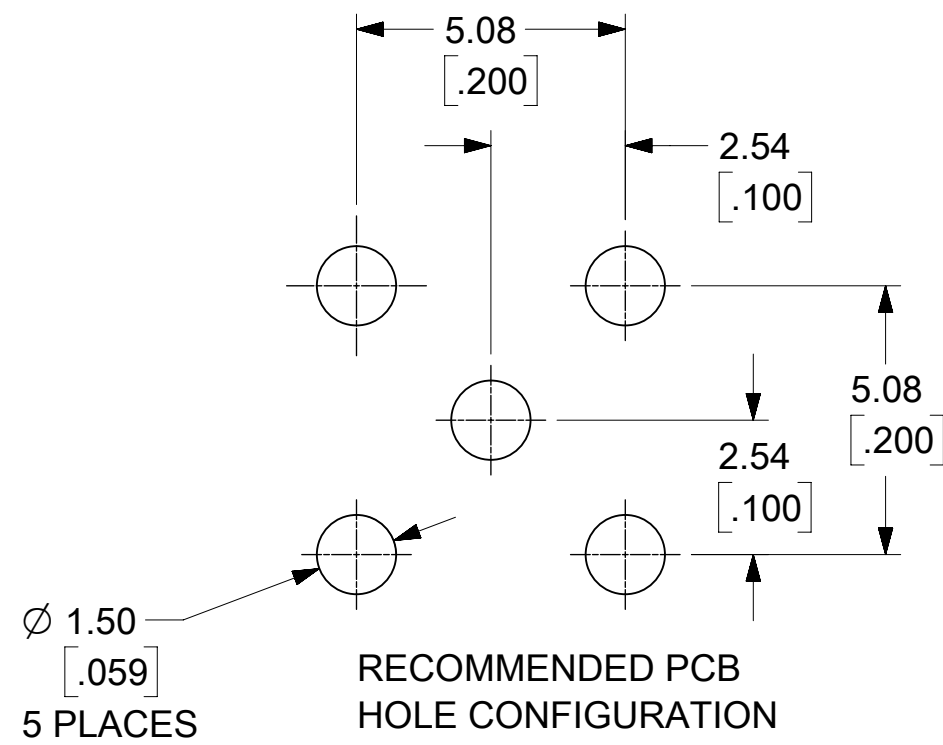
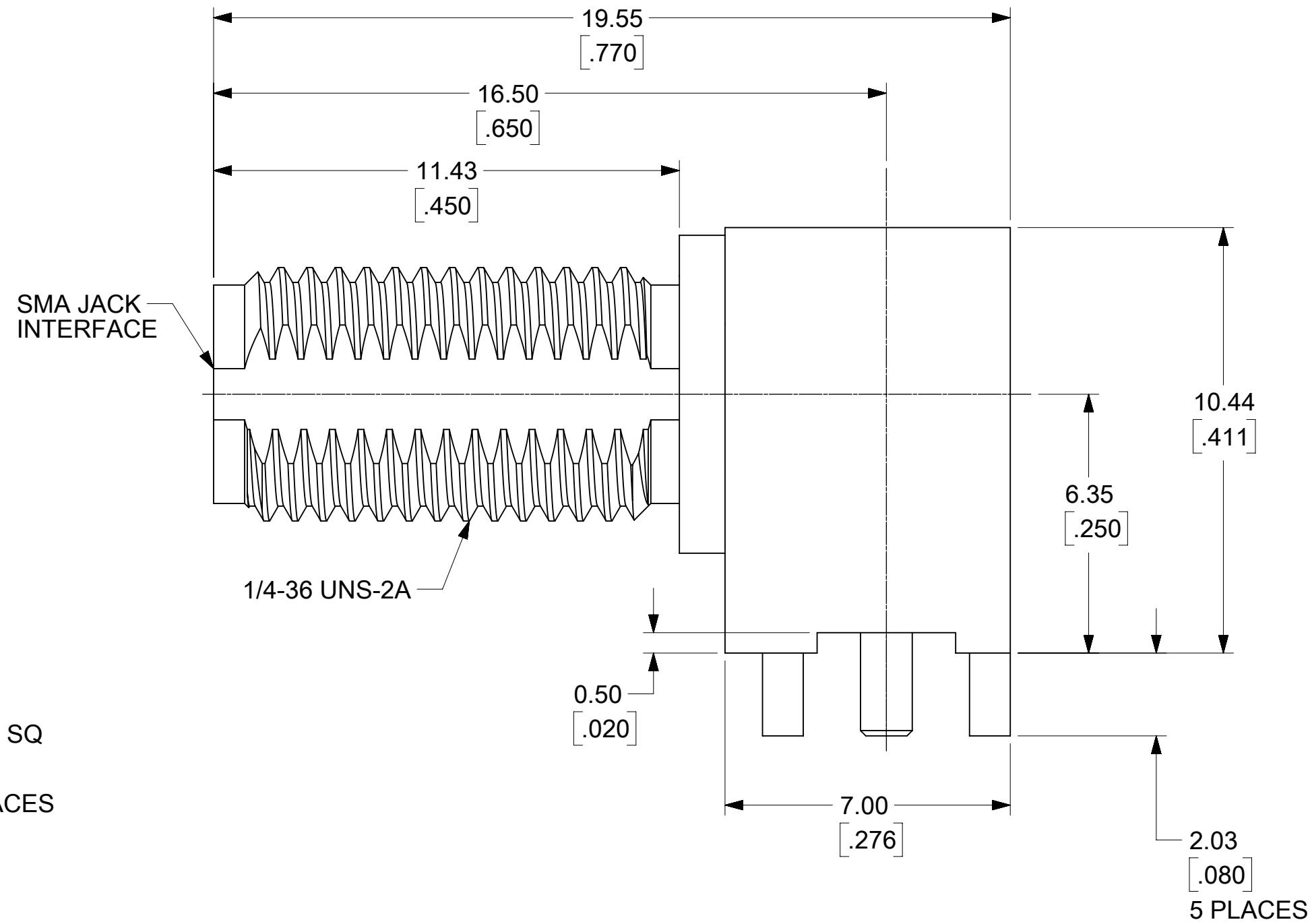
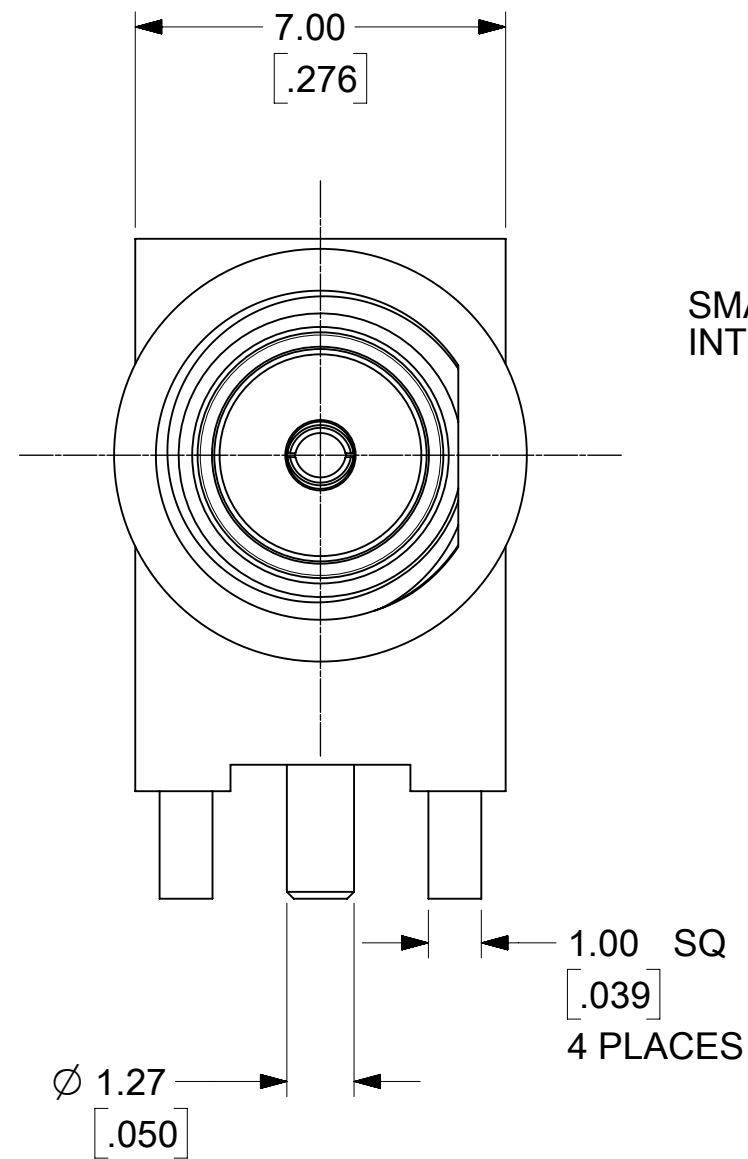


MATERIALS AND FINISHES:

BODY: BRASS  
FINISH: NICKEL

CENTER CONTACT: BERYLLIUM COPPER  
FINISH: GOLD

INSULATOR: TEFLON



PART # 73251-4290

PS-73598-0460	ELECTRO/MECH PERFORM
SPECIFICATION	DESCRIPTION

<b>SYMBOLS</b> ▽ = 0 ▽ = 0 ▽ = 0 ▽ = 0 ▽ = 0 ▽ = 0 ▽ = 0 ▽ = 0 ▽ = 0 ▽ = 0	THIS DRAWING CONTAINS INFORMATION THAT IS PROPRIETARY TO MOLEX ELECTRONIC TECHNOLOGIES, LLC AND SHOULD NOT BE USED WITHOUT WRITTEN PERMISSION	CURRENT REV DESC: MIGRATED TO NX					
	DIMENSION UNITS: <b>HYBRID</b>	SCALE:	EC NO: 175545				SMA JACK R/A TH BH 50 OHM, EWR-4478 SMA-J/RA/PCB
	GENERAL TOLERANCES (UNLESS SPECIFIED)	ANGULAR TOL ± 2.0°	4 PLACES ±	DRWN: SMAHESHBABU 2018/02/22	PRODUCT CUSTOMER DRAWING		
	3 PLACES ±	2 PLACES ±	1 PLACE ±	CHK'D: CWEI02 2018/04/25	DOCUMENT NUMBER: <b>SD-73251-429</b> DOC TYPE: PSD DOC PART: 001 REVISION: <b>A1</b>		
0 PLACES ±	DRAFT WHERE APPLICABLE MUST REMAIN WITHIN DIMENSIONS	THIRD ANGLE PROJECTION	DRAWING: <b>C-SIZE</b>	SERIES: <b>73251</b>	MATERIAL NUMBER: 732514290	CUSTOMER: GENERAL MARKET	SHEET NUMBER: 1 OF 1

DOCUMENT STATUS	P1	RELEASE DATE	2018/04/26	01:26:10
-----------------	----	--------------	------------	----------