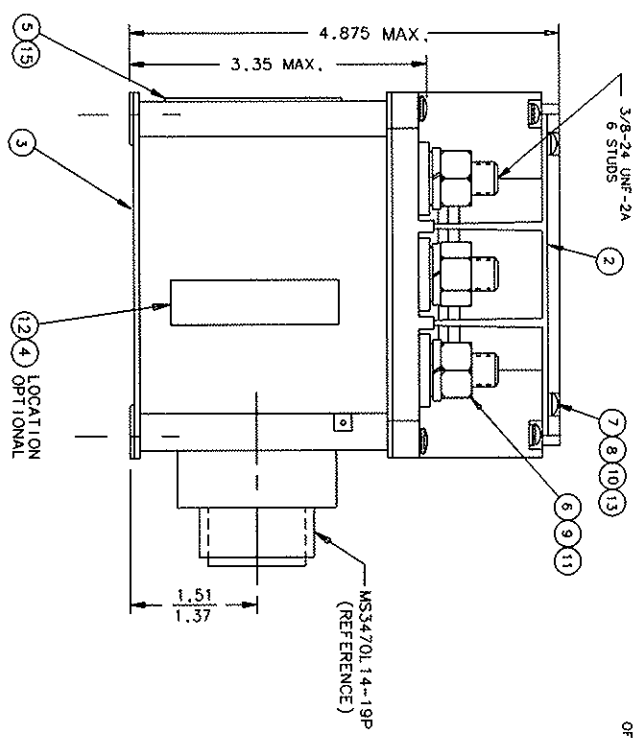
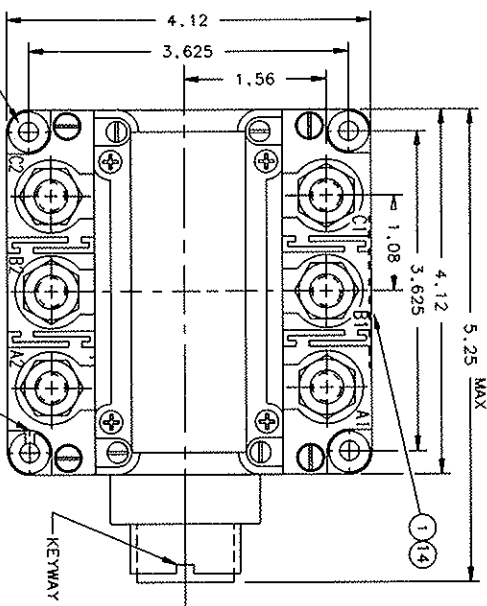


# FAA/PMA

B-429CA



**CONSTRUCTION**  
 MAIN CONTACTS  
 CONFIGURATION  
 VOLTAGE  
 CURRENT RES.  
 IND. RUPTURE

**\* AUXILIARY CONTACTS**  
 CONFIGURATION  
 VOLTAGE  
 CURRENT RES.  
 IND. RUPTURE

**COIL DATA**  
 DUTY CYCLE  
 OPERATING VOLTAGE  
 NOMINAL  
 PICKUP MAX.  
 DROPOUT  
 INRUSH  
 HOLD

**ENVIRONMENTAL DATA**  
 OPERATING TEMP.  
 ALTITUDE  
 LIFE ELECTRICAL  
 LIFE MECHANICAL  
 WEIGHT MAX. (EST)  
 OPERATE TIMES AT 28 VDC AT 25°C

**GASKET SEALED (VENTED)**  
 3PST N.O. (DOUBLE BREAK)  
 120/208 VOLTS FREQ. 400 HZ  
 350 AMP 115/200 VAC CONTINUOUS  
 125 AMP  
 3500 AMP

**CONTINUOUS (POWER DOWN)**  
 4 SPDT  
 28 VDC, 115 VAC 400 HZ  
 VOLTAGE, SEE NOTE 6  
 5 AMP  
 3 AMP  
 2 AMP

**ENVIRONMENTAL DATA**  
 OPERATING TEMP. -55°C MIN. + 85°C MAX.  
 ALTITUDE 45,000 FT.  
 LIFE ELECTRICAL 50,000 CYCLES MIN.  
 LIFE MECHANICAL 100,000 CYCLES MIN.  
 WEIGHT MAX. (EST) 4 LBS.

- NOTES:**
1. TERMINAL COVER ITEM NO. 2 REMOVED FROM TOP VIEW.
  2. ITEMS NO. 1 & 5 LOCATION OPTIONAL.
  3. MOUNTING SURFACE SHALL PROVIDE ELECTRICAL GROUND.
  4. THIS UNIT MEETS THE APPLICABLE PORTIONS OF MIL-R 6106
  5. TRANSIENT VOLTAGE LIMITED TO 45 VOLTS MAX.
  6. AUXS J,K,L & M,N,P, CURRENT .1 AMP RES OR IND AT 28 VDC
  7. DIMS TO BE JANITX 1000 PIV



REV	DESCRIPTION	DATE	APPROVED
D 24767	ADD ITEMS 14 & 15 ITEM 4 WAS 39529-001* ITEM 6 WAS *90407-143* ITEM 9 WAS 51704-024* ITEM 11 WAS *51807-073*	93/09/21	WS
E 29044	1.51/1.37 WAS 1.43	95/10/25	RS
F 35177	NOTE 6 WAS *RES .1 AMP AT 5V*	98/03/27	RS

ITEM NO.	QTY	PART OR IDENTIFYING NO.	NOMENCLATURE OR DESCRIPTION	FSOQ NO.	DRAWING OR SPECIFICATION	MATERIAL OR NOTE
15	1	39529-002	OVERLAY			
14	1	39529-001	OVERLAY			MYLAR
13	4	51701-180	WASHER 3/16 X .103 X .015			
12	1	58400-117	PLATE-FAA/PMA			BRASS
11	6	51807-084	WASHER LOCK .575 .687 .094 S.P			BRONZE
10	4	51804-021	WASHER LOCK NO. 4 INT.			BRASS
9	6	51704-024	WASHER 5/8 X 25/64 X .062 FLAT			STEEL
8	4	51701-291	WASHER .250 .113 .015 FLAT			STEEL
7	4	51204-391	SCREW 4-40 X 1/4 BD. HD.			STEEL
6	6	50407-164	NUI-3/8-24 X 5/8 X 7/32 HEX			BRASS
5	1	40820-002	PLATE-WIRING DIAGRAM			
4	1	39529-024	OVERLAY			
3	1	36813-040	CONTACTOR ASSEMBLY-PRIMARY			
2	2	35744-001	COVER-TERMINAL			
1	1	16043-001	PLATE-NAME			

UNLESS OTHERWISE SPECIFIED DIMENSIONS ARE IN INCHES TOLERANCES ARE:		REF: DOUGLAS MD-111	
2 PL DEC. 3 PL DEC. ANGLES	± .06	DR BY	RS 98/04/13
	± .010	CHK BY	RS 98/04/13
	± 1°	ENGR	WZL 98/04/13
		MFG	98/04/13
		RELEASE	98/04/13
		CONTR NO.	
		COVT APPVL	

HARTMAN ELECTRICAL MANUFACTURING MANSFIELD, OHIO	
CONTACTOR-3PST N.O.	350 AMP 120/208V 400 HZ
SIZE	CODE IDENT DWG NO.
C	74063
SCALE NONE	B-429CA
	SHEET