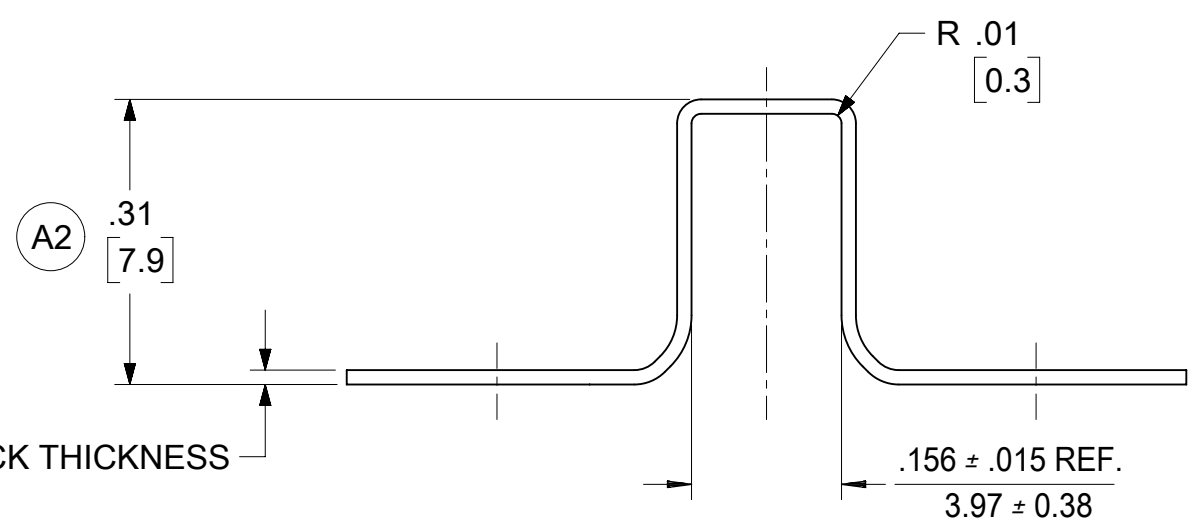
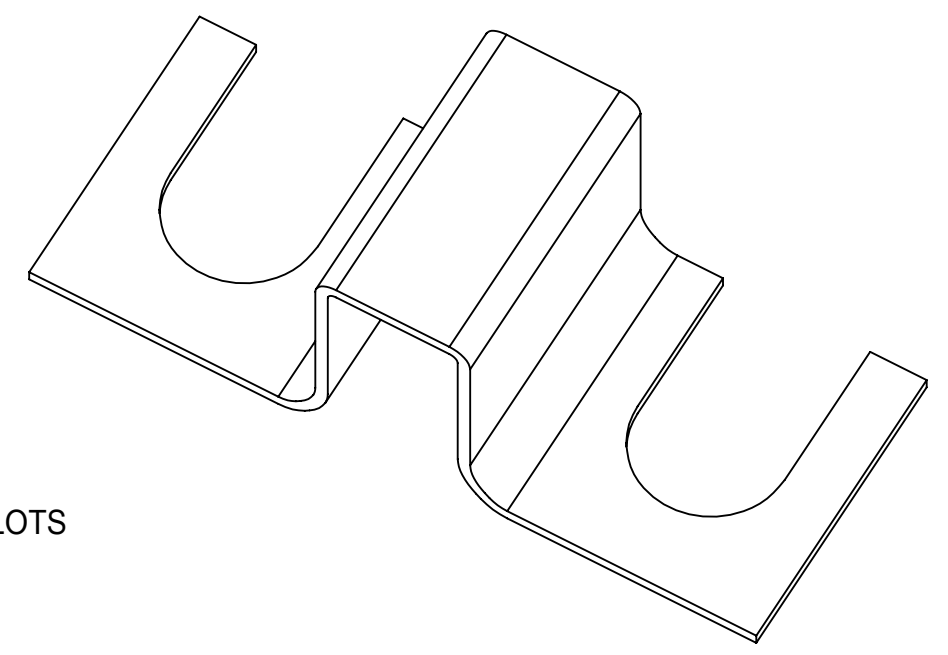
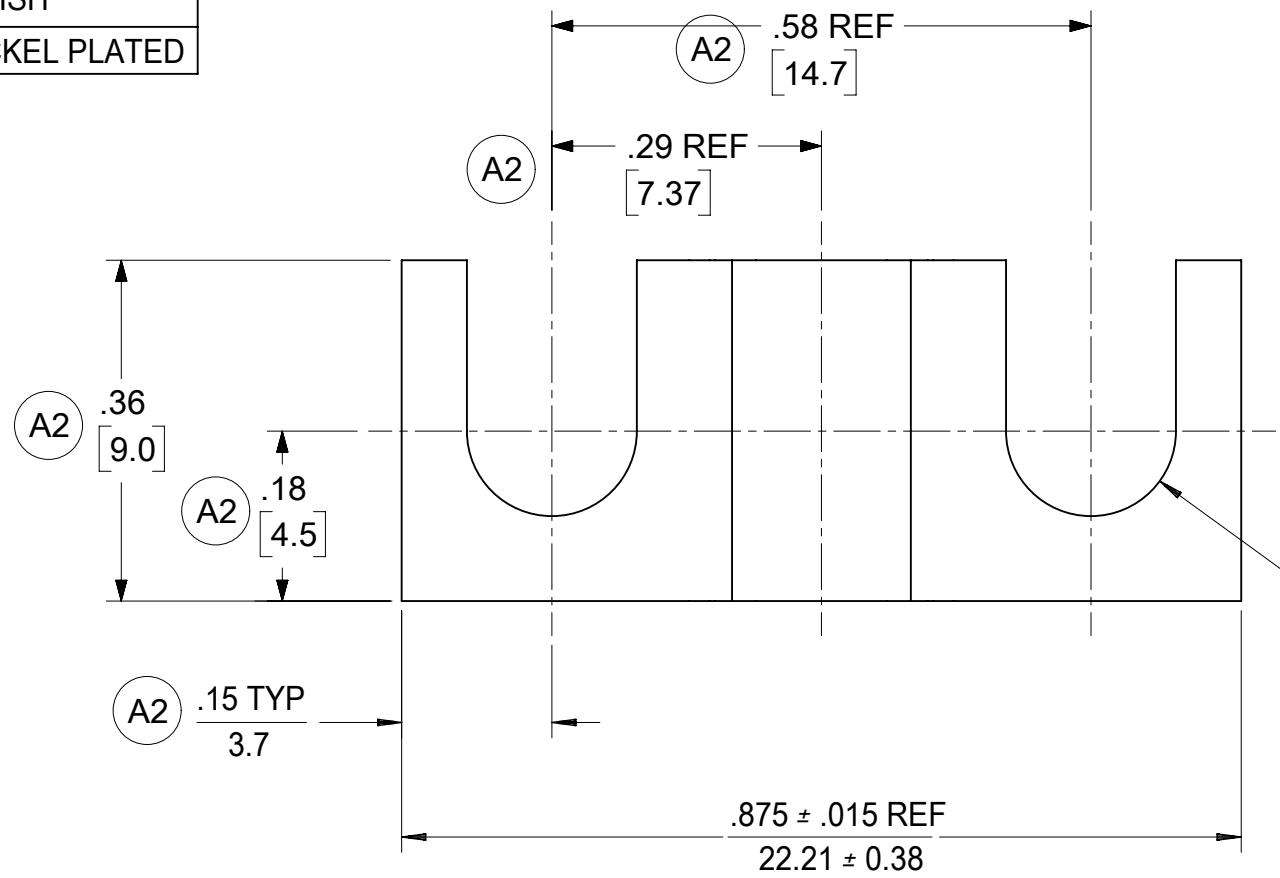


10	9	8	7	6	5	4	3	2	1
MATERIAL NO.	ENG. NO.	MATERIAL	FINISH						
380020442	2132	BRASS	NICKEL PLATED						



- NOTE(S):
1. MATERIAL: SEE TABLE
  2. FINISHES: SEE TABLE
  3. PRODUCT SPECIFICATION: NOT REQUIRED
  4. PACKAGING: NOT REQUIRED
  5. MATES WITH: 21, 22, AND 26 SERIES BTS

THIS DRAWING CONTAINS INFORMATION THAT IS PROPRIETARY TO MOLEX ELECTRONIC TECHNOLOGIES, LLC AND SHOULD NOT BE USED WITHOUT WRITTEN PERMISSION										
FUNCTIONAL SYMBOLS	DIMENSION UNITS	SCALE	CURRENT REV DESC: DIM'S UPDATED .58 REF WAS .562 REF.							
	INCH/MM	5:1	<b>molex</b> JUMPER TERMINAL, SLOTTED TYPE PRODUCT CUSTOMER DRAWING							
GENERAL TOLERANCES (UNLESS SPECIFIED)										
DIVISIONAL SYMBOLS	4 PLACES	±	MM	±	INCH	EC NO: 640979	2020/07/02	DOC TYPE	DOC PART	REVISION
	3 PLACES	±		±	0.005	DRWN: DMYRICK	2020/07/07	PSD	001	A2
	2 PLACES	±	0.13	±	0.01	CHK'D: JMACNEIL	2020/07/07	SD-38002-036		
	1 PLACE	±	0.3	±		APPR: JMACNEIL	2020/07/07	GENERAL MARKET		
INITIAL REVISION:		ANGULAR TOL		± 2.0°		DRWN: CYORK	2004/03/17	SHEET NUMBER		
MUST REMAIN WITHIN DIMENSIONS		THIRD ANGLE PROJECTION		DRAWING		APPR: GROBERTS	2004/03/18	SERIES		1 OF 1
		B-SIZE		38002		MATERIAL NUMBER		CUSTOMER		
						SEE CHART		GENERAL MARKET		