

- NOTES:
- THIS PRODUCT IS RoHS COMPLIANT
 - ALL DIMENSIONS ARE REFERENCE.
 - MATERIALS:
 - HOUSING: THERMOPLASTIC, BLACK
 - SPRING CONTACT: COPPER ALLOY, SILVER PLATED
 - SHUNT TERMINAL: COPPER ALLOY, SILVER PLATED
 - CENTER PIN: COPPER ALLOY, SILVER PLATED
 - SHIELD: STEEL, NICKEL PLATED

CUSTOMER DRAWING

PC BOARD LAYOUT
COMPONENT SIDE

REV	ECO NUMBER	DATE	BY	APVD
A	25129	9-8-05	JL	MW
REVISIONS				

★ STAR SYMBOL DENOTES CRITICAL DIMENSION

UNLESS OTHERWISE SPECIFIED

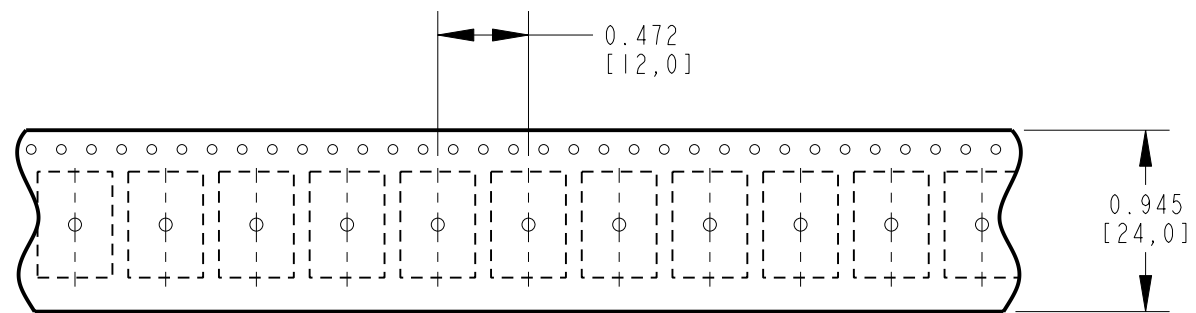
- ALL DIMENSIONS IN INCHES
 - TWO PLACE DECIMALS ±0.01
 - THREE PLACE DECIMALS ±0.005
 - ANGLES ±1°
 - ALL DIA. CONCENTRIC WITHIN 0.005 T.I.R.
- FEATURES ON THE SAME CENTERLINE MUST BE ALIGNED WITHIN ±0.002
- REMOVE ALL BURRS

DO NOT SCALE DRAWING

THIS DRAWING DESCRIBES A DESIGN CONSIDERED PROPRIETARY IN NATURE, DEVELOPED AND MANUFACTURED BY SWITCHCRAFT INC. AND IS RELEASED ON A CONFIDENTIAL BASIS FOR IDENTIFICATION PURPOSES ONLY.										
SIZE		WIDTH		MULT		LBS/M		TEMPER		
FINISH						MATERIAL				
SPEC No.						SPEC No.				
FIRST USED ON				SCALE		Switchcraft [®]				
				5 : 1						
DATE DRAWN	BY	CHKD	APVD							
08-Sep-05	JL	MW	MW							
			9-8-05	9-8-05	SHEET 1 OF 2					
NAME RIGHT ANGLE SMT DC JACK SHIELDED, Ø0.65mm PIN, RoHS								PART No.		REV
								RASM752STRX		A

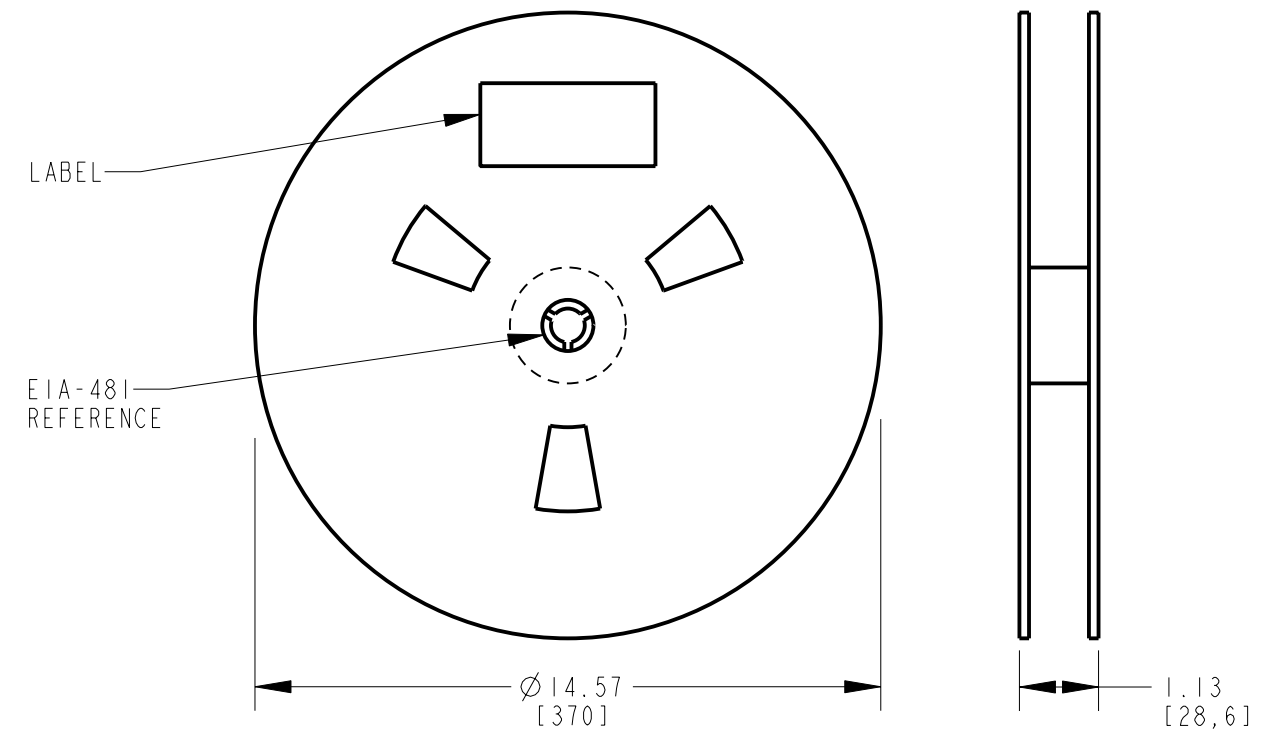
A: CARRIER SIZE

1. DETAIL SIZES REFERENCE: EIA-481
2. SPECIFICATION: 24 MM X 12 MM
3. COVER TAPE: SPECIFICATION ATTACHED (CONDUCTIVE)



B: REEL SIZE

1. QUANTITY: 1000 PCS/REEL
2. MATERIAL: THERMOPLASTIC



CUSTOMER DRAWING

SCALE	Switchcraft [®]	
DATE DRAWN 08-Sep-05		
DRAWN BY JL	PART No. RASM752STRX	REV A