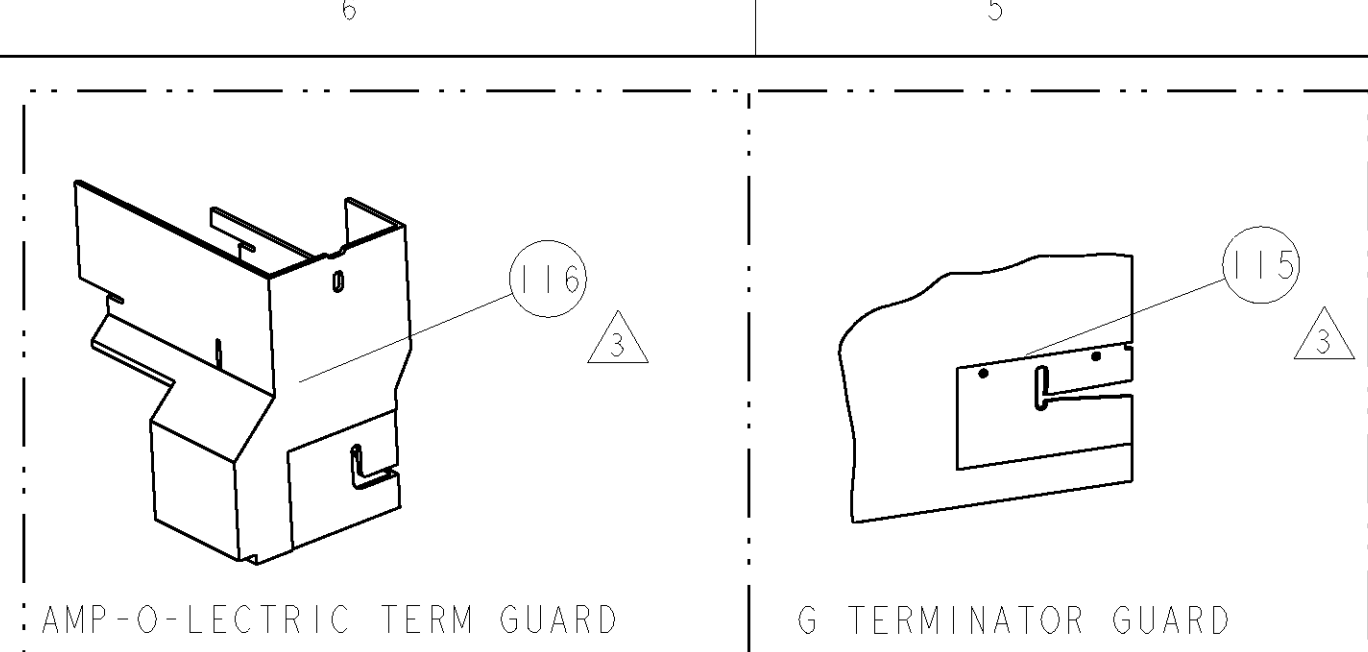
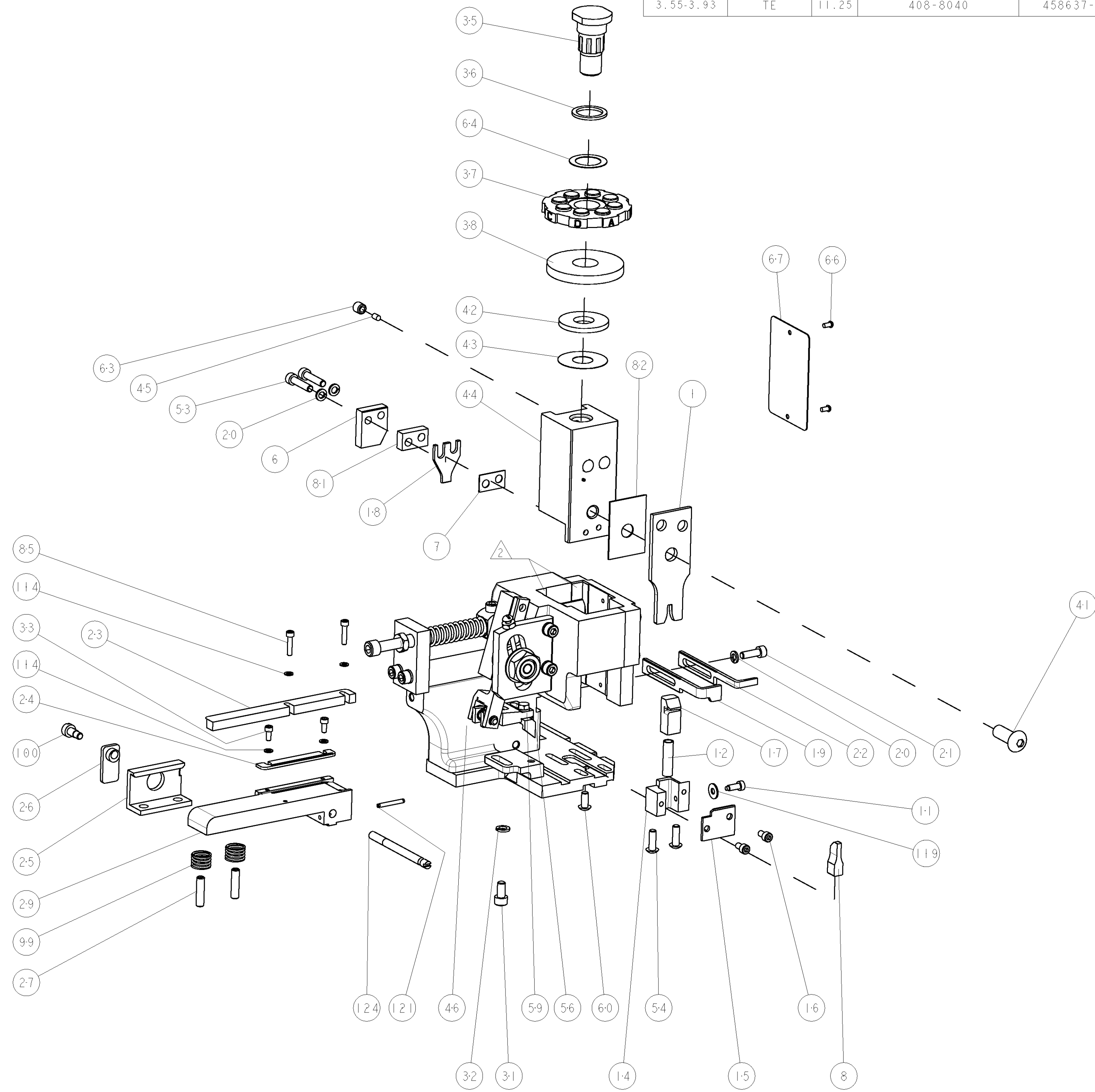
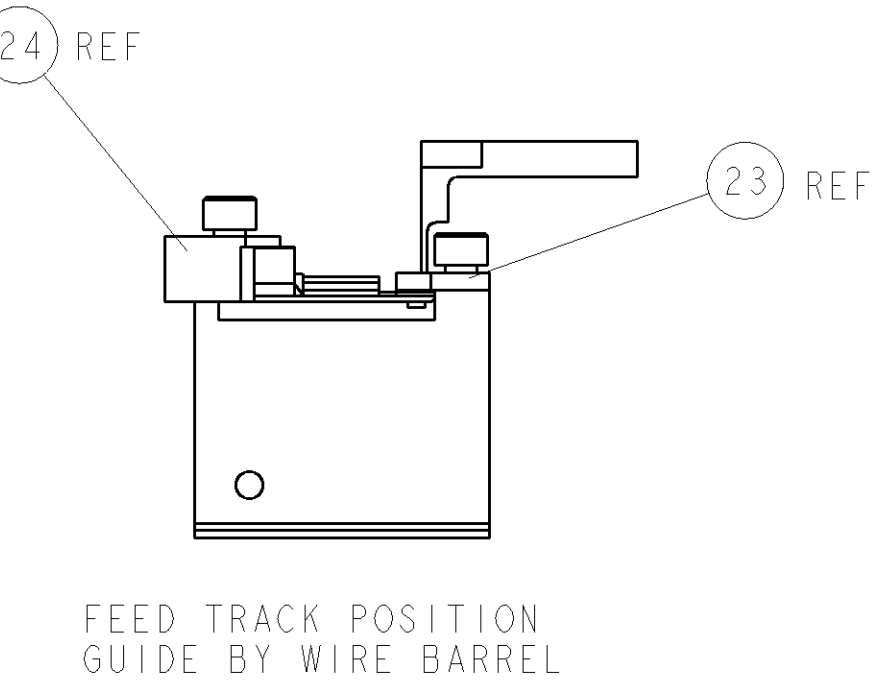
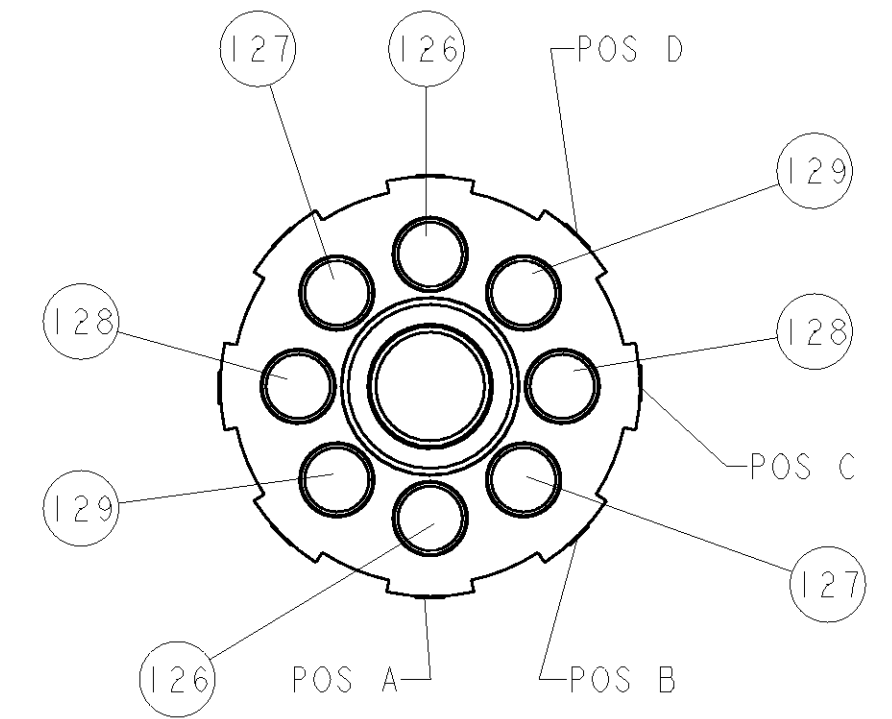


| PART NUMBER | REV | FIRST USED | POWER UNIT | FEED TYPE | DESCRIPTION |
|-------------|-----|------------|---------------|-----------|--------------------|
| 1852794-1 | A | 122500-1 | LEADMAKER | POST FEED | CUTS CARRIER |
| 1852794-2 | A | 565435-5 | BENCH MODEL K | PRE FEED | CUTS CARRIER |
| 1852794-3 | A | 354500-1 | BENCH MODEL G | PRE FEED | CUTS CARRIER |
| 1852794-6 | A | 122500-1 | LEADMAKER | POST FEED | CONTINUOUS CARRIER |
| 7-1852794-7 | A | - | - | - | SPARE PARTS |



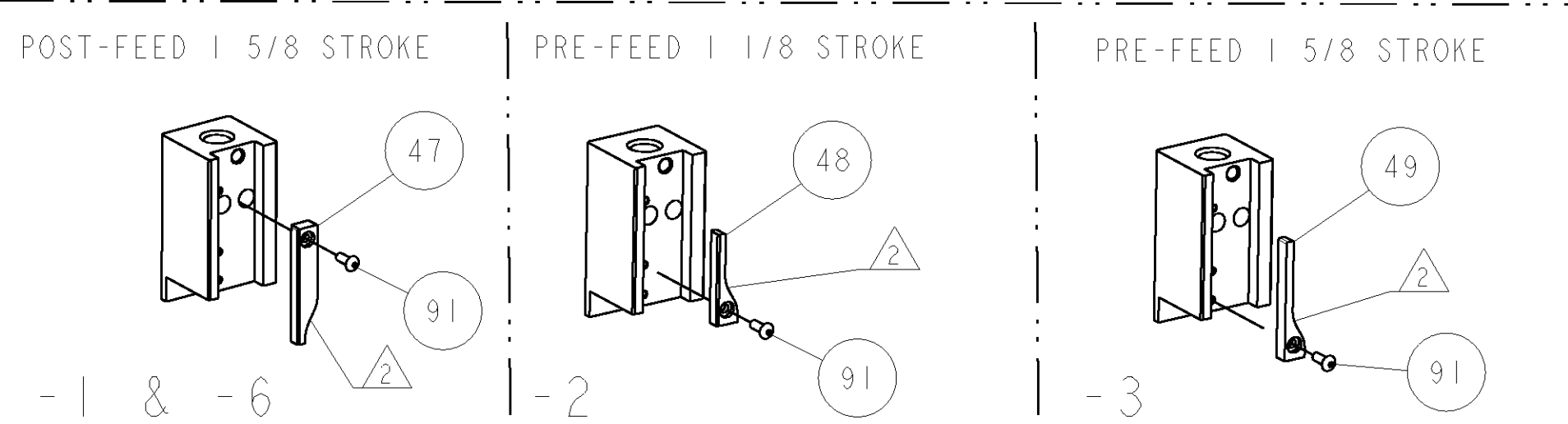
| TERMINAL NAME: FASTON | | | |
|-----------------------|----------------|----------------------------------|----------------------------------|
| TE PN | ARKLES | ARKLES TERMINAL - TE CRIMP SPECS | |
| 1949851 | 3500H 109A-2 | | |
| | | PAD LTR | CRIMP HEIGHT |
| | | A | 2.03mm±.05/-05[.080+.002/-0.002] |
| | | B | 1.81mm±.05/-05[.071+.002/-0.002] |
| | | C | 1.61mm±.05/-05[.063+.002/-0.002] |
| | | D | 1.50mm±.05/-05[.059+.002/-0.002] |
| | | CRIMP | SIZE |
| | | | TYPE |
| | | | RANGE |
| | | WIRE | 3.05mm [1.20] |
| | | INSUL | - |
| WIRE STRIP LENGTH | TERM APPL SPEC | FEED | APPLICATOR INSTRUCTIONS |
| 3.55-3.93 | TE | 11.25 | 408-8040 |
| | | | SET UP GAGE |
| | | | 458637-1 |

- △ RECOMMENDED SPARE PARTS
- △ GREASE LIGHTLY
- △ GUARD MUST BE IN PLACE WHEN OPERATING APPLICATOR IN A BENCH MACHINE



| LOC | DIST | REVISIONS | | | | | |
|-----|------|-----------|-----|-------------|-----------|-----|------|
| A | 66 | P | LTR | DESCRIPTION | DATE | DRN | APVD |
| | | A | | RELEASED | 04FEB2009 | RK | TE |

| | | | | | | | | |
|---|------|------|------|------|----|-------------|---------------------------------------|-----|
| - | 2 | 2 | 2 | 2 | - | 1-354779-9 | PIN, WIRE DISC, .3085 | 129 |
| - | 2 | 2 | 2 | 2 | - | 1-354779-1 | PIN, WIRE DISC, .3045 | 128 |
| - | 2 | 2 | 2 | 2 | - | 9-354778-2 | PIN, WIRE DISC, .2955 | 127 |
| - | 2 | 2 | 2 | 2 | - | 7-354778-5 | PIN, WIRE DISC, .2870 | 126 |
| - | 1 | 1 | 1 | 1 | - | 690432-6 | ADJUSTMENT SCREW | 124 |
| - | 1 | 1 | 1 | 1 | - | 4-21028-0 | PIN, SLOTTED SPRING .094 X .750 | 121 |
| - | 1 | 1 | 1 | 1 | - | 21055-5 | WASHER, FLAT, REG NO 6 | 119 |
| - | - | - | REF | - | .. | 455749-1 | GUARD WINDOW | 116 |
| - | - | - | REF | - | .. | 679532-1 | INSERT, GUARD | 115 |
| - | - | - | 4 | - | - | 21024-2 | WASHER, SPRG LOCK, REG NO 4 | 114 |
| - | 42.0 | 42.0 | 21.0 | 42.0 | - | 22353-8 | SCR, SHLD, SLOT HD, 3/16 DIA | 100 |
| - | 2 | 2 | 2 | 2 | - | 1-22284-0 | SPRING, COMPRESSION | 99 |
| - | 1 | 1 | 1 | 1 | - | 1-21002-7 | SCR, BTN SKT HD CAP 6-32 X .375 | 91 |
| - | 2 | 2 | 2 | 2 | - | 1-21000-5 | SCR, SKT HD CAP 4-40 X .500 | 85 |
| - | 1 | 1 | 1 | 1 | - | 455888-6 | SPACER, CRIMPER | 82 |
| - | 1 | 1 | 1 | 1 | - | 1-240641-4 | SPACER | 81 |
| - | 1 | 1 | 1 | 1 | - | 4088040 | SF APPL INST 408-8040 | 72 |
| - | 1 | 1 | 1 | 1 | - | 217238-1 | GENERAL INSTRUCTION PKG | 71 |
| - | 1 | 1 | 1 | 1 | - | 461264-1 | PLATE, IDENTIFICATION | 67 |
| - | 2 | 2 | 2 | 2 | - | 21017-2 | SCREW, DRIVE | 66 |
| - | 1 | 1 | 1 | 1 | - | 986950-1 | WASHER, FLAT PRECISION | 64 |
| - | 1 | 1 | 1 | 1 | - | 21009-2 | SCR, SET, SELF LOCKING 1/4-20 X .250 | 63 |
| - | 1 | 1 | 1 | 1 | - | 22733-8 | SCR, BHSC, SELF-LOCKING, 8-32 X .375 | 60 |
| - | 1 | 1 | 1 | 1 | - | 2-22603-1 | SCREW, MACH, HEX HD, 8-32 X .375 | 59 |
| - | 1 | 1 | 1 | 1 | - | 4-694433-8 | FEED PAWL | 56 |
| - | 2 | 2 | 2 | 2 | - | 2-21002-2 | SCR, BTN SKT HD CAP 8-32 X .500 | 54 |
| - | 2 | 2 | 2 | 2 | - | 2-21000-9 | SCR, SKT HD CAP 8-32 X .750 | 53 |
| - | - | - | 1 | - | .. | 690602-6 | CAM, PRE FEED, 1 5/8 | 49 |
| - | - | - | 1 | - | .. | 690602-5 | CAM, PRE FEED, 1 1/8 | 48 |
| - | 1 | - | - | 1 | - | 690501-4 | CAM, POST-FEED 1 5/8 | 47 |
| - | 1 | 1 | 1 | 1 | - | 459456-1 | APPL. BASIC SUB ASSY (SIDE WISE MOCA) | 46 |
| - | 1 | 1 | 1 | 1 | - | 690191-1 | PLUG, NYLON | 45 |
| - | 1 | 1 | 1 | 1 | - | 455673-1 | RAM, SIDE FEED | 44 |
| - | 1 | 1 | 1 | 1 | - | 690125-1 | SHIM SUB-ASSY | 43 |
| - | 1 | 1 | 1 | 1 | - | 690124-1 | WASHER, RAM (.115) | 42 |
| - | 1 | 1 | 1 | 1 | - | 7-21002-8 | SCR, BTN SKT HD CAP 5/16-24 X .875 | 41 |
| - | 1 | 1 | 1 | 1 | - | 690223-2 | SPACER, INS. | 38 |
| - | 1 | 1 | 1 | 1 | - | 354777-1 | WIRE DISC, ASSEMBLY | 37 |
| - | 1 | 1 | 1 | 1 | - | 22480-5 | SPRING, COMPRESSION | 36 |
| - | 1 | 1 | 1 | 1 | - | 690212-1 | POST, RAM | 35 |
| - | 2 | 2 | 2 | 2 | - | 1-21000-3 | SCR, SKT HD CAP 4-40 X .250 | 33 |
| - | 1 | 1 | 1 | 1 | - | 21024-5 | WASHER, SPRG LOCK, REG NO 10 | 32 |
| - | 1 | 1 | 1 | 1 | - | 3-21000-4 | SCR, SKT HD CAP 10-32 X .375 | 31 |
| - | 1 | 1 | 1 | 1 | - | 844048-8 | PLATE, REAR STRIP GUIDE | 29 |
| - | 2 | 2 | 2 | 2 | - | 5-21006-6 | SCR, SET, CUP POINT 10-32 X .750 | 27 |
| - | 1 | 1 | 1 | 1 | - | 356835-1 | LEVER, DRAG RELEASE | 26 |
| - | 1 | 1 | 1 | 1 | - | 240792-1 | DRAG, TERMINAL | 25 |
| - | 1 | 1 | 1 | 1 | - | 690438-1 | FRONT STRIP GUIDE | 24 |
| - | 1 | 1 | 1 | 1 | - | 1-189124-8 | GUIDE, FRONT STRIP | 23 |
| - | 1 | - | - | 1 | - | 690472-2 | STRIPPER | 22 |
| - | 1 | 1 | 1 | 1 | - | 2-21000-7 | SCR, SKT HD CAP 8-32 X .500 | 21 |
| - | 4 | 4 | 4 | 4 | - | 21024-4 | WASHER, SPRG LOCK, REG NO 8 | 20 |
| - | - | 1 | 1 | - | - | 691353-1 | STRIPPER | 19 |
| - | 1 | 1 | 1 | 1 | - | 690518-1 | HOLD DOWN, TERMINAL | 18 |
| - | 1 | 1 | 1 | 1 | - | 690463-1 | FLOATING SHEAR, REAR | 17 |
| - | 2 | 2 | 2 | 2 | - | 1-21000-8 | SCR, SKT HD CAP 6-32 X .250 | 16 |
| - | 1 | 1 | 1 | 1 | - | 690464-4 | SHEAR PLATE, REAR | 15 |
| - | 1 | 1 | 1 | 1 | - | 690462-1 | SHEAR HOLDER, REAR | 14 |
| - | - | - | - | - | .. | - | - | 13 |
| - | 1 | 1 | 1 | 1 | - | 3-22280-3 | SPRING, COMPRESSION | 12 |
| - | 1 | 1 | 1 | 1 | - | 690461-1 | STOP, SHEAR | 11 |
| - | - | - | - | - | .. | - | - | 10 |
| - | - | - | - | - | .. | - | - | 9 |
| 1 | 1 | 1 | 1 | 1 | - | 2-1633665-4 | ANVIL, COMBINATION | 8 |
| - | 1 | 1 | 1 | 1 | - | 2-240641-1 | SPACER | 7 |
| - | 1 | 1 | 1 | 1 | - | 690468-1 | DEPRESSOR SHEAR, REAR | 6 |
| - | - | - | - | - | .. | - | - | 5 |
| - | - | - | - | - | .. | - | - | 4 |
| - | - | - | - | - | .. | - | - | 3 |
| - | - | - | - | - | .. | - | - | 2 |
| 1 | 1 | 1 | 1 | 1 | - | 456409-1 | CRIMPER, WIRE .120 "F" PREMIUM | 1 |



| DIMENSIONS: | | TOLERANCES UNLESS OTHERWISE SPECIFIED: | |
|-------------|---|--|---------|
| INCHES | Ø | PLC | ± |
| | | 1 PLC | ±0.1 |
| | | 2 PLC | ±0.01 |
| | | 3 PLC | ±0.001 |
| | | 4 PLC | ±0.0001 |
| | | ANGLES | ±0.0001 |

| | | |
|------------------|--------------------------|------------------------|
| DRN | B. HIGMAN | 21DEC2008 |
| CHK | T. ELBIN | 04FEB2009 |
| APVD | N. DELING | 04FEB2009 |
| PRODUCT SPEC | SIDE FEED HDM APPLICATOR | |
| APPLICATION SPEC | - | |
| SIZE | CAGE CODE | DRAWING NO |
| A1 | 00779 | 1852794 |
| CUSTOMER DRAWING | SCALE | 3:5 SHEET 1 OF 1 REV A |