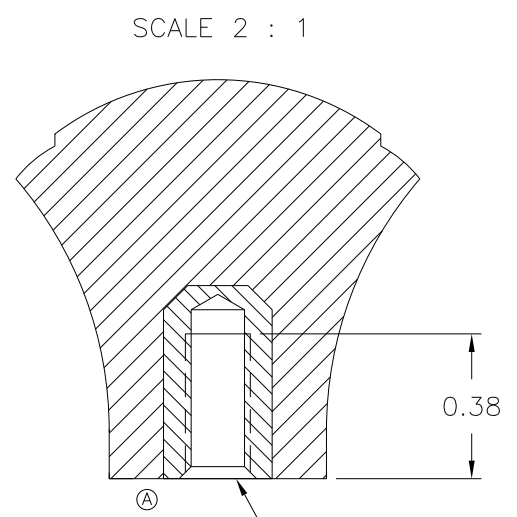
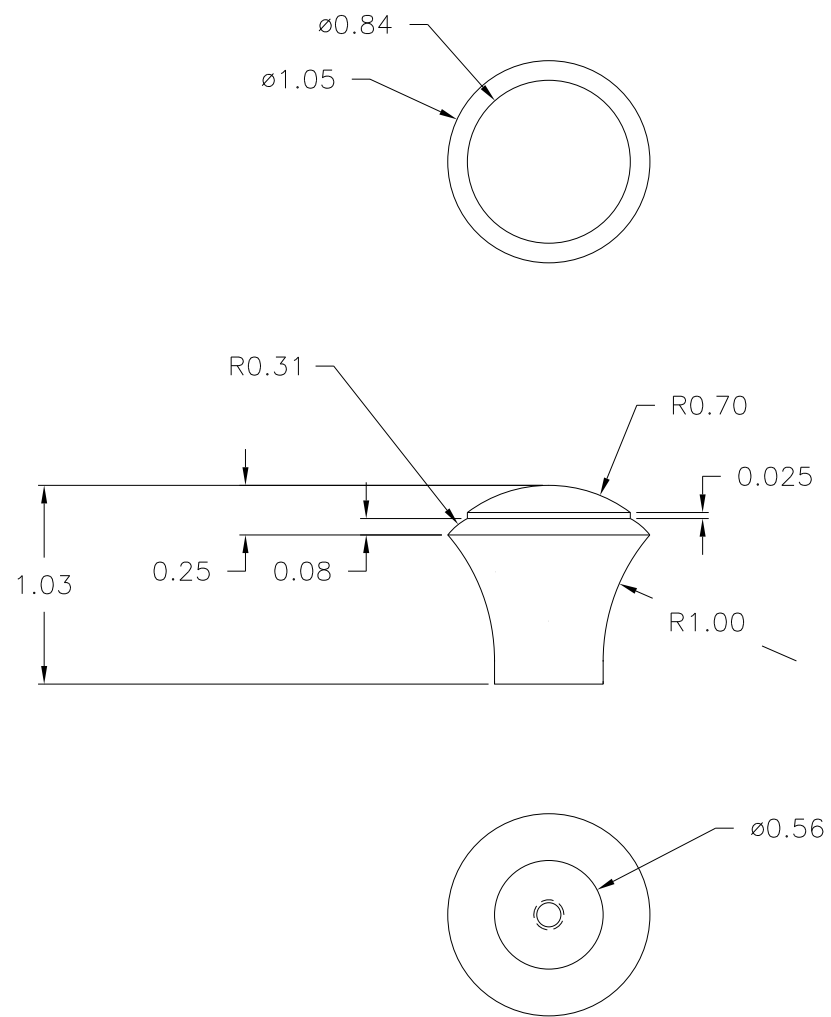


PART NAME: KNOB SCALE: 1:1 DATE: 10/2/44 DR. BY DWT

THIS DRAWING IS THE PROPERTY OF DAVIES MOLDING COMPANY, IS SUBMITTED SOLELY AS A DESIGN OR ENGINEERING PROJECT. WE ACCEPT NO RESPONSIBILITY WHATSOEVER FOR THE PRACTICAL APPLICATION OF THE PIECES MADE TO THIS DESIGN.

DAVIES MOLDING COMPANY
CAROL STREAM, ILLINOIS 60188

P/N	3004-S
M NO.	3004
CAVITY	3004
PLUNGER	3004
SHIM	1
INNER PIN	3004-1
OUTER PIN	3004-1
INSERT	I0001



#8-32 UNC-2B THREADED
I0001, H.H. BRASS

MATERIAL: G.P. PHENOLIC (B11)
COLOR: BLACK

TOLERANCES: UNLESS OTHERWISE SPECIFIED	DO NOT SCALE DRAWING				
DECIMALS: X.XXX ± .005 X.XX ± .015	MM: X.XX ± 0.15MM X.X ± 0.4MM	A	REMOVED 0.010 STEP	TS	10/1/02
FRACTIONS ± 1/64	ANG. ± 1°	-	CAD/REDRAWN	HD	9/10/97
CHANGES					