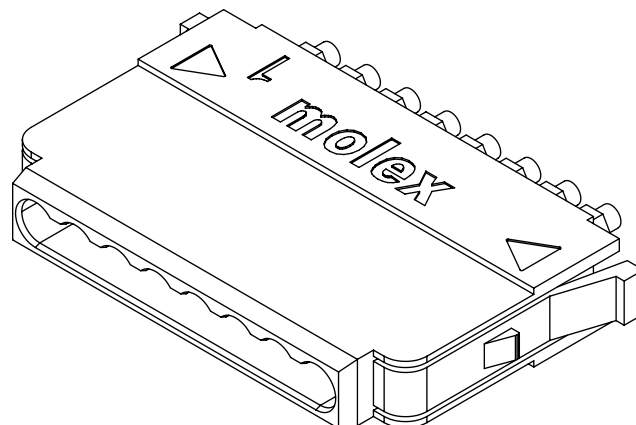
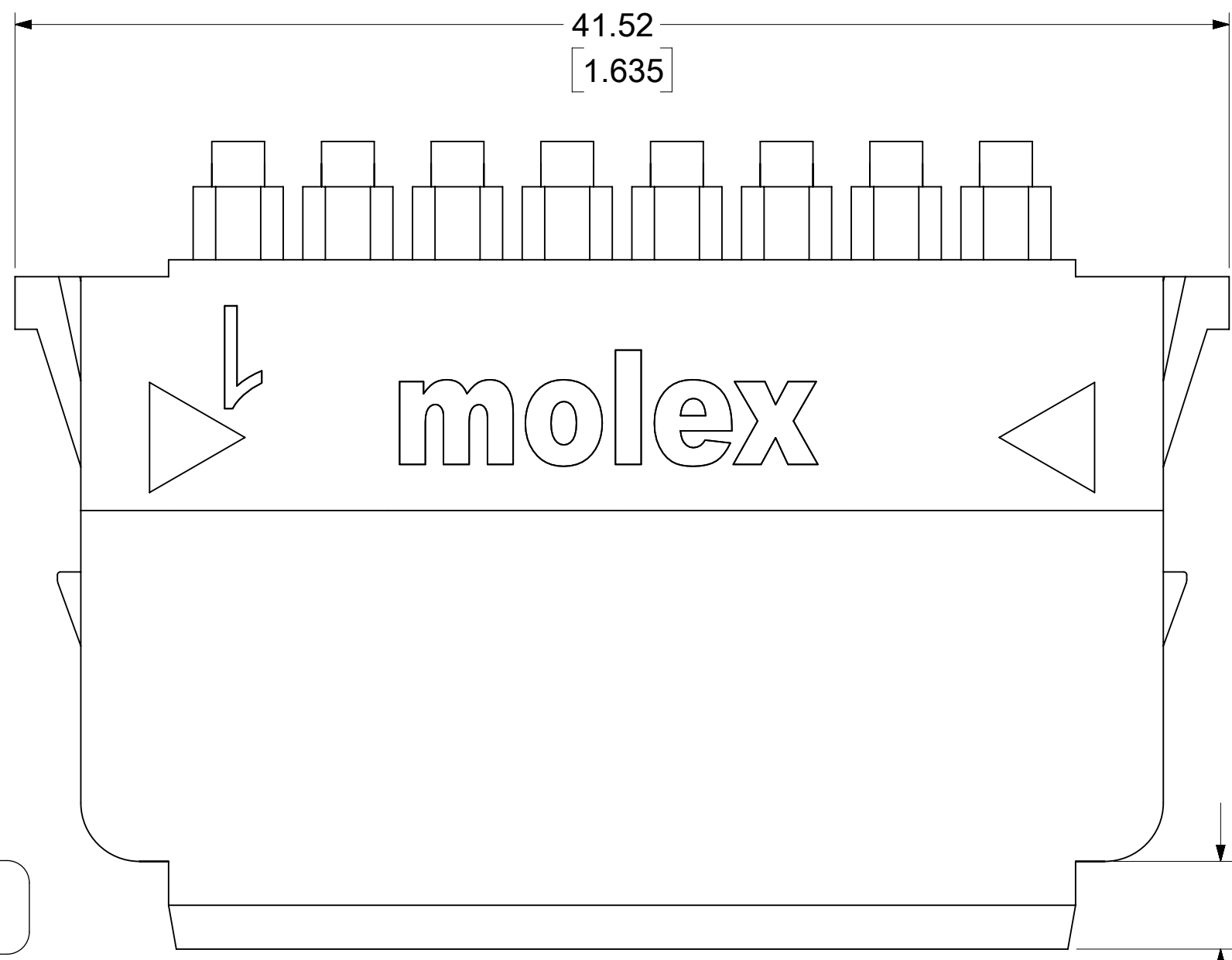


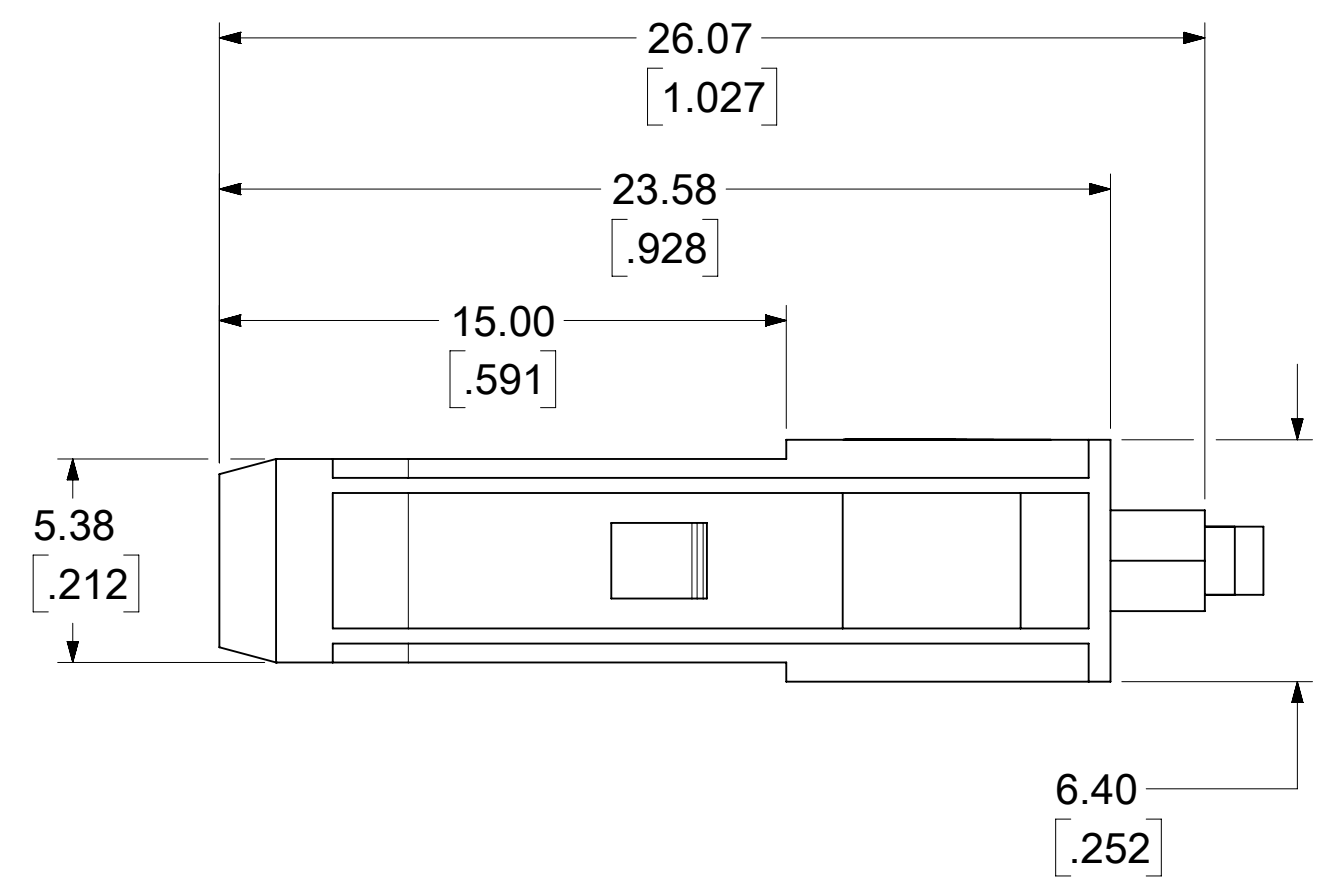
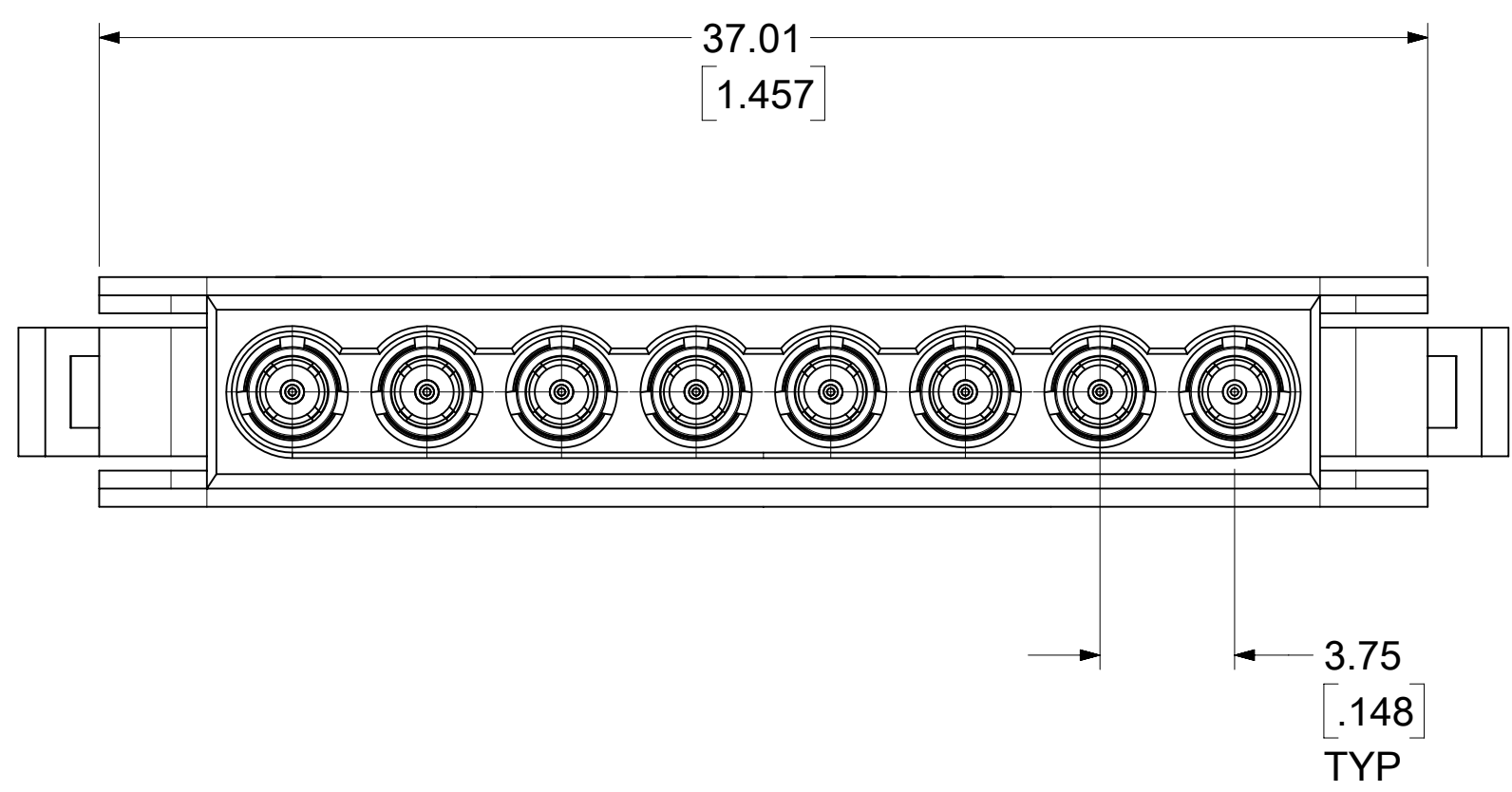
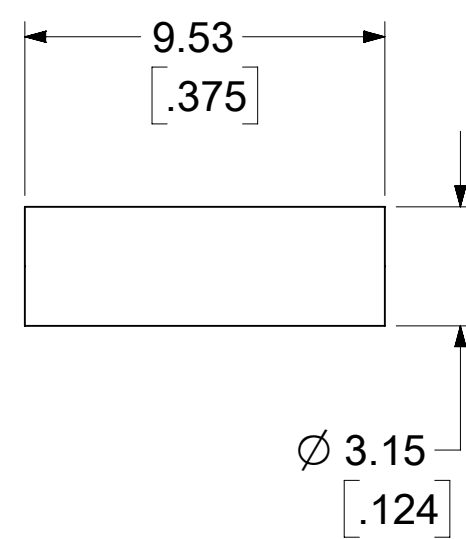
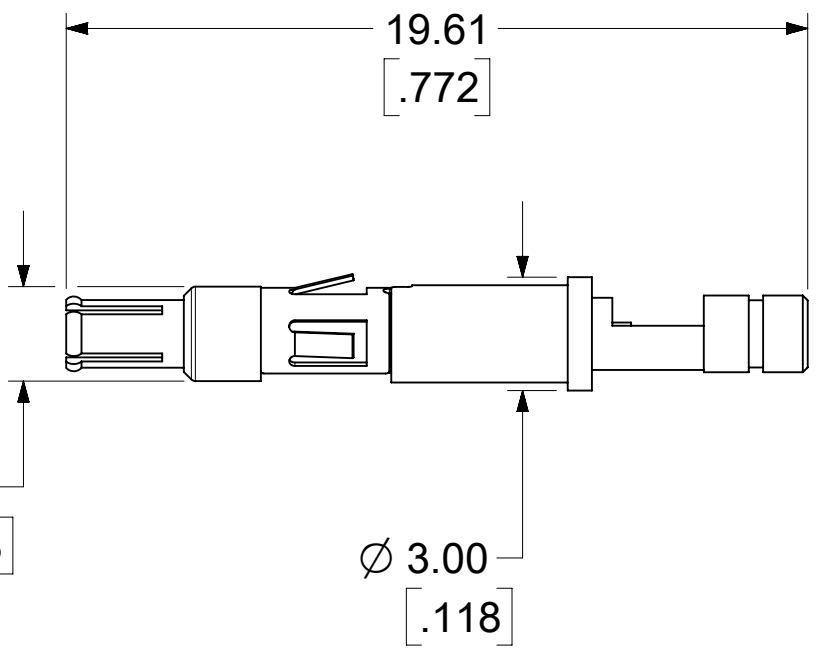
MATERIALS AND FINISHES:

MPRF PLUGS (73158-0000/-0001)
SEE SD-73158-000

HOUSING NYLON
UL94V-0
COLOR : BLACK



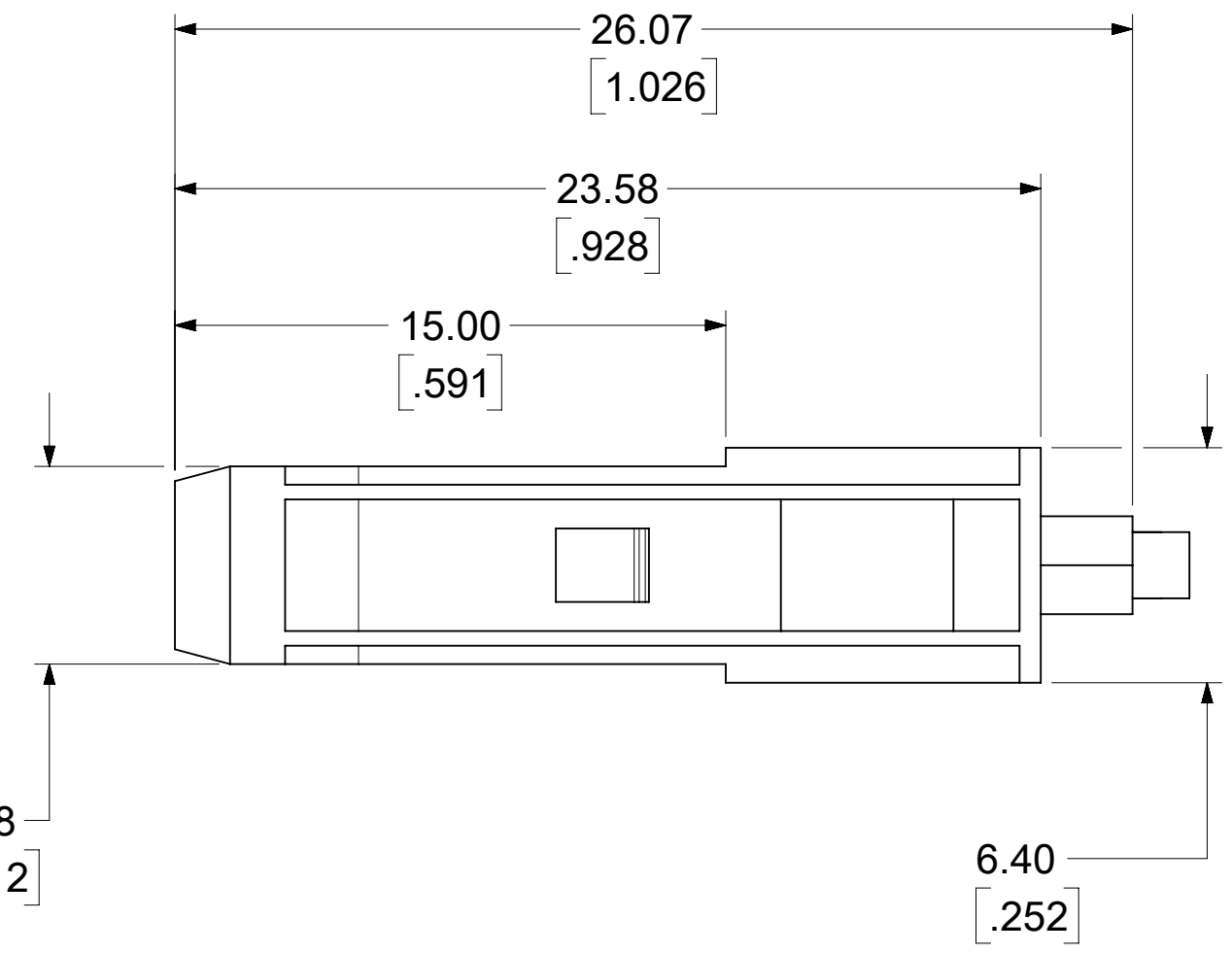
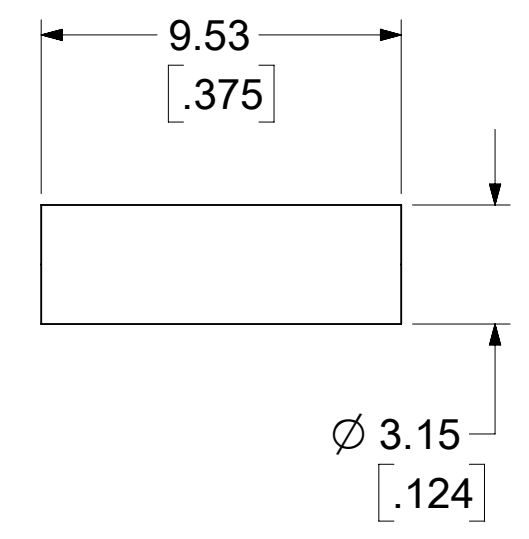
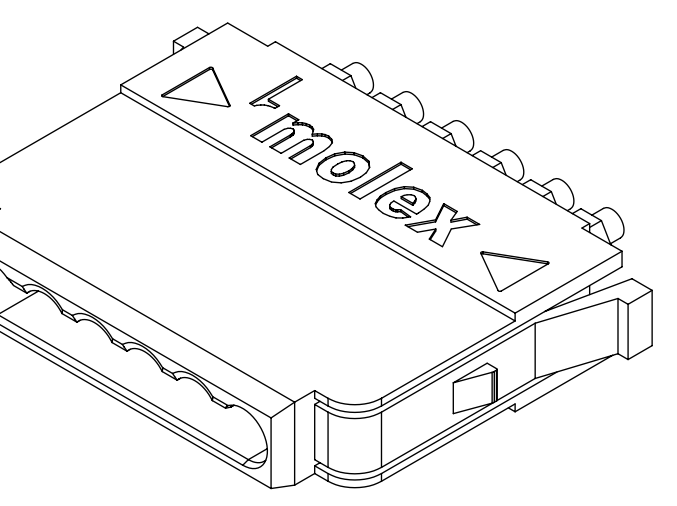
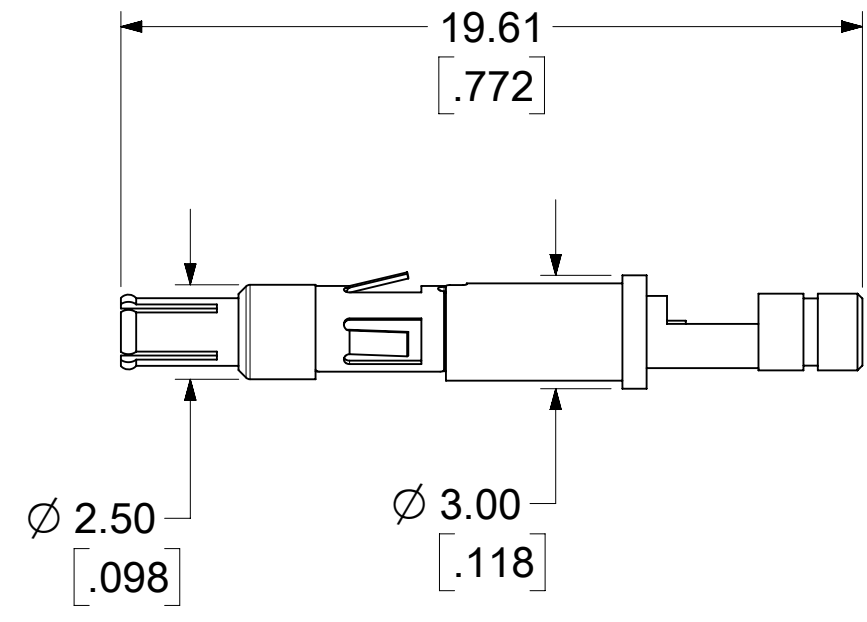
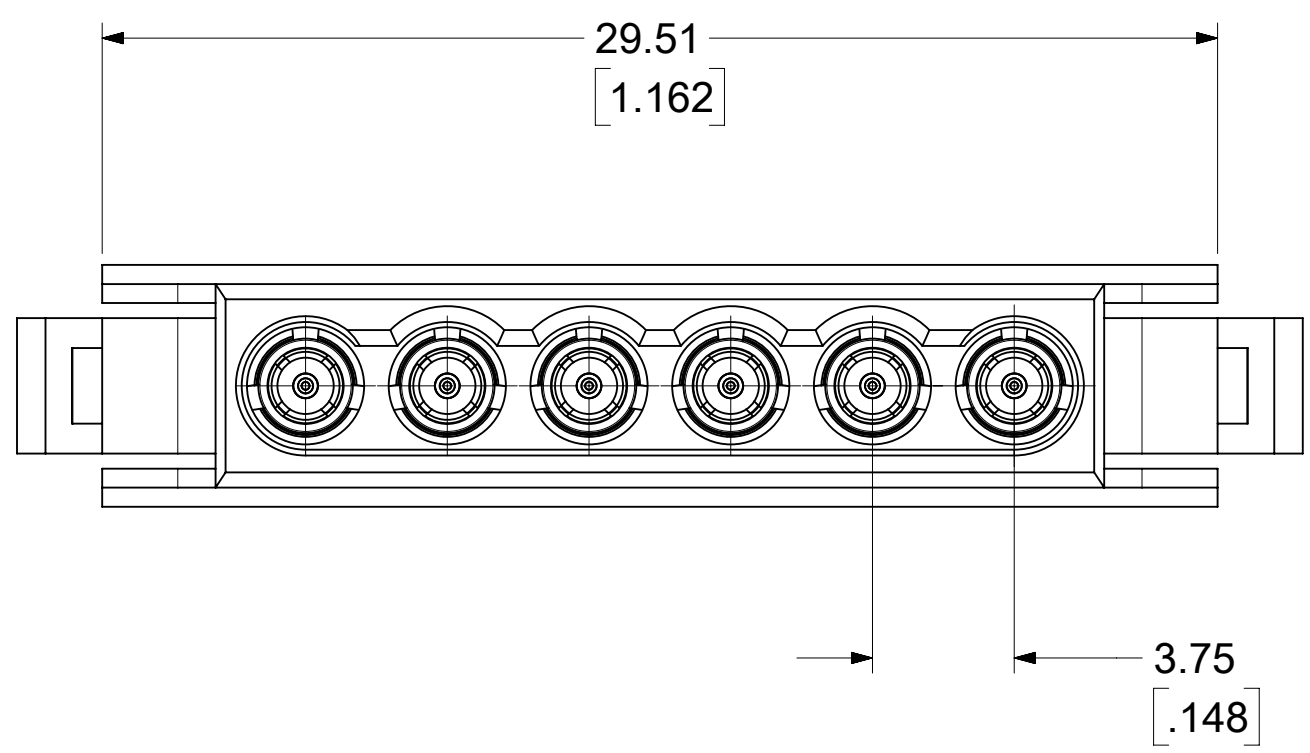
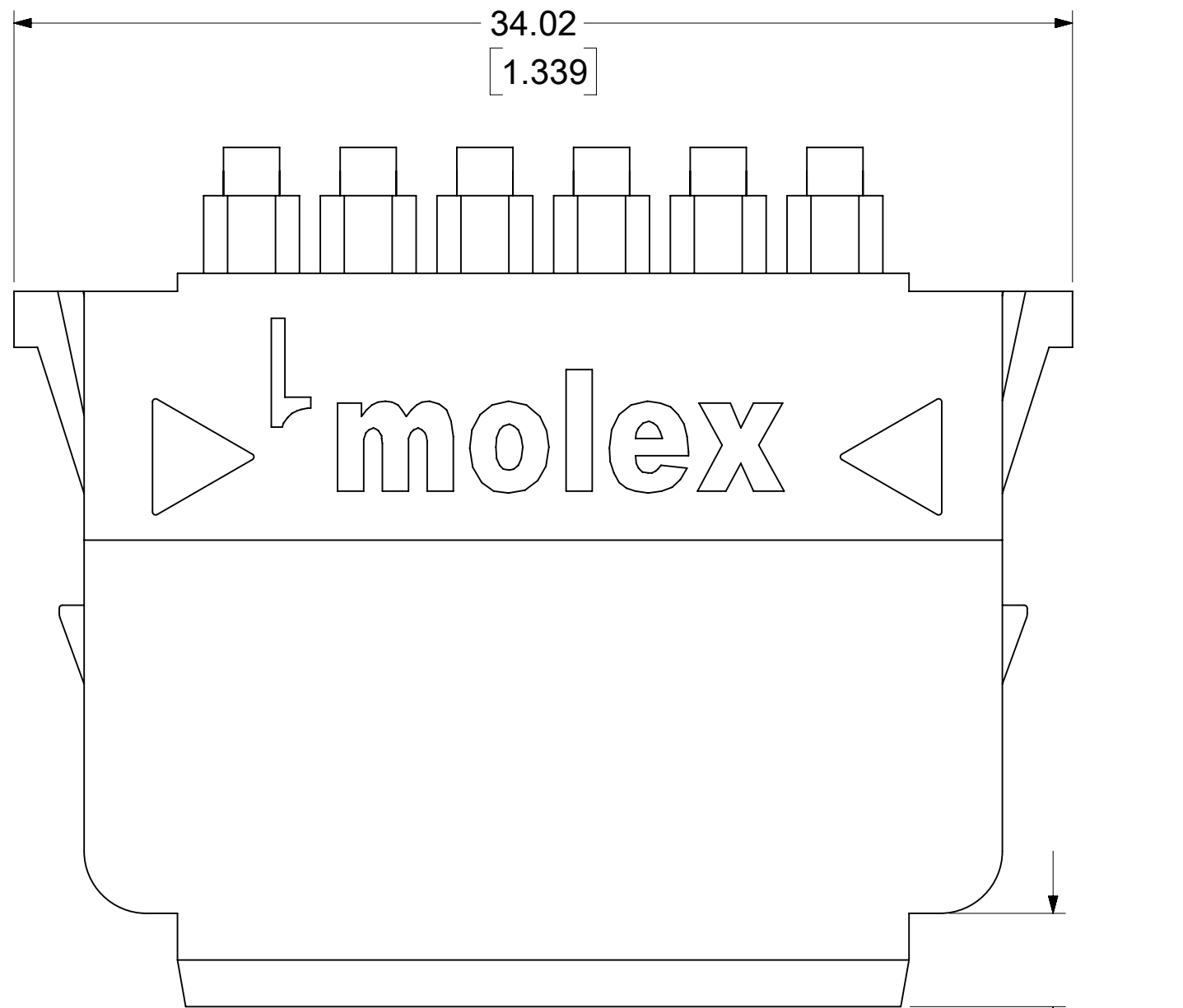
INSTALLED CONNNECTORS ARE
SHOWN FOR REFERENCE ONLY



GANG OF 8

73358-1031	STANDARD
73358-1030	NON MAGNETIC
PART NO.	STYLE

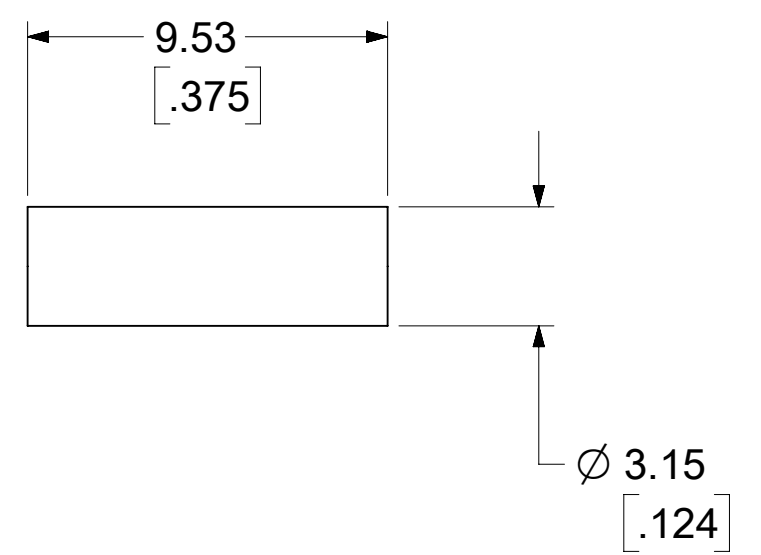
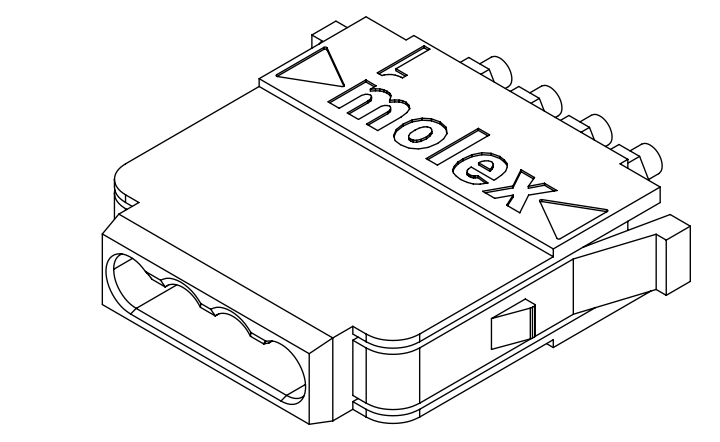
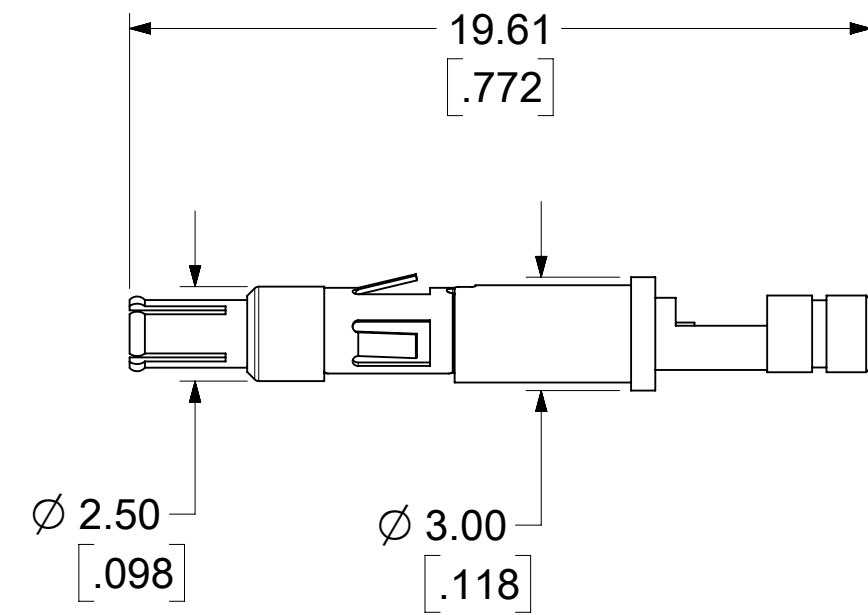
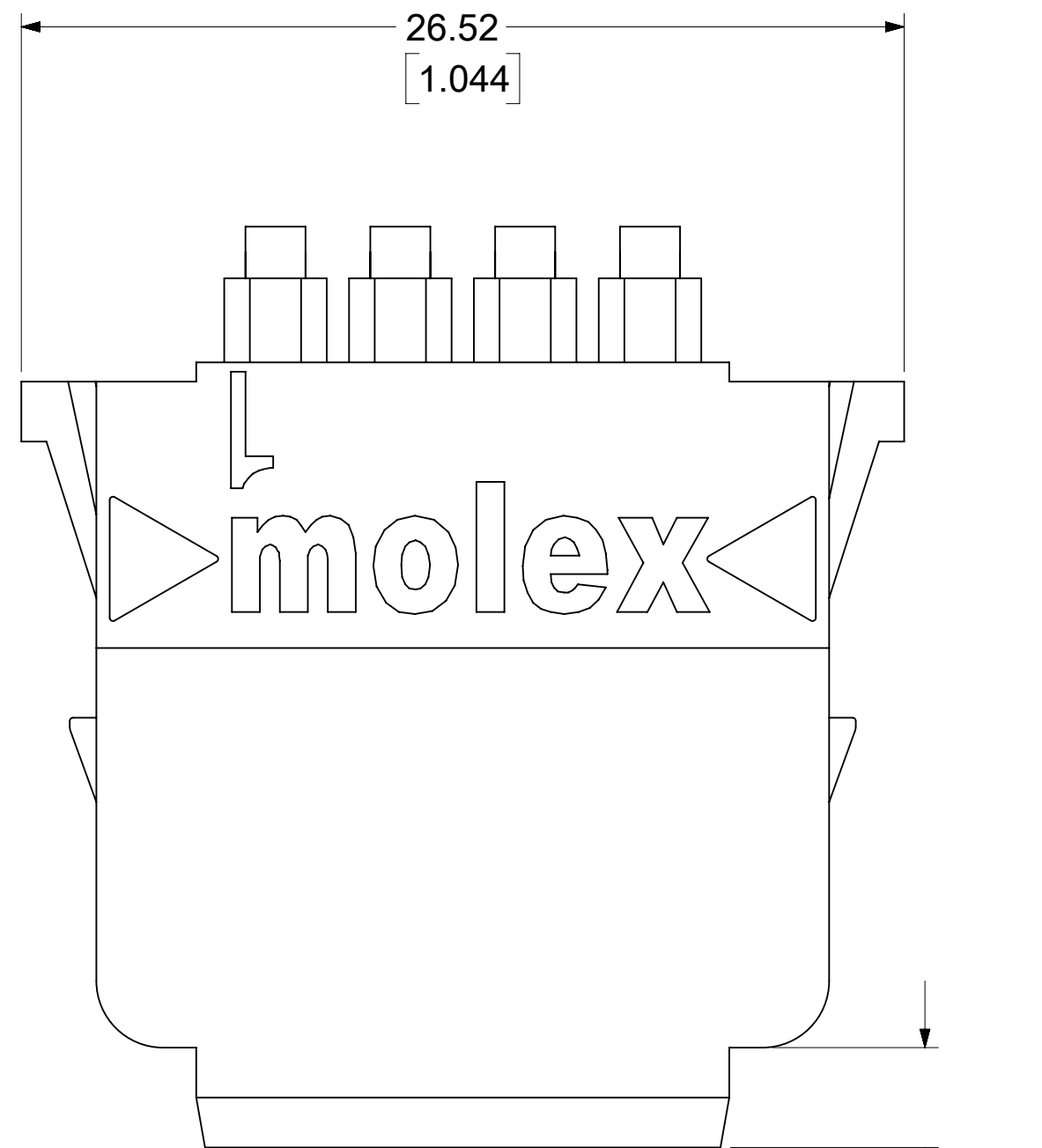
FUNCTIONAL SYMBOLS $\frac{F}{A} = 0$ $\frac{E}{C} = 0$ $\frac{E}{P} = 0$ DIVISIONAL SYMBOLS 4 PLACES ± 3 PLACES ± 2 PLACES ± 1 PLACE ± 0 PLACES ±	THIS DRAWING CONTAINS INFORMATION THAT IS PROPRIETARY TO MOLEX ELECTRONIC TECHNOLOGIES, LLC AND SHOULD NOT BE USED WITHOUT WRITTEN PERMISSION		CURRENT REV DESC: EWR-14515-A ADDED ASSEMBLY PROCESS		<p>MPRF GANG OF 4/6/8 PLUG 50 OHMS RG178 SIDE LATCH EWR-4895 MPRF-PC</p>			
	MM/INCH	NTS	EC NO: 665013	2021/05/25				
	GENERAL TOLERANCES (UNLESS SPECIFIED)		DRWN: JSU18	2021/06/02				
	ANGULAR TOL ± 2.0°		CHK'D: YCHENG	2021/06/02				
DRAFT WHERE APPLICABLE MUST REMAIN WITHIN DIMENSIONS		THIRD ANGLE PROJECTION	DRAWING	SERIES	DOCUMENT NUMBER	DOC TYPE	DOC PART	REVISION
			C-SIZE	73358	SD-73358-103	PSD	001	A5
					MATERIAL NUMBER	CUSTOMER	SHEET NUMBER	
						GENERAL MARKET	1 OF 5	



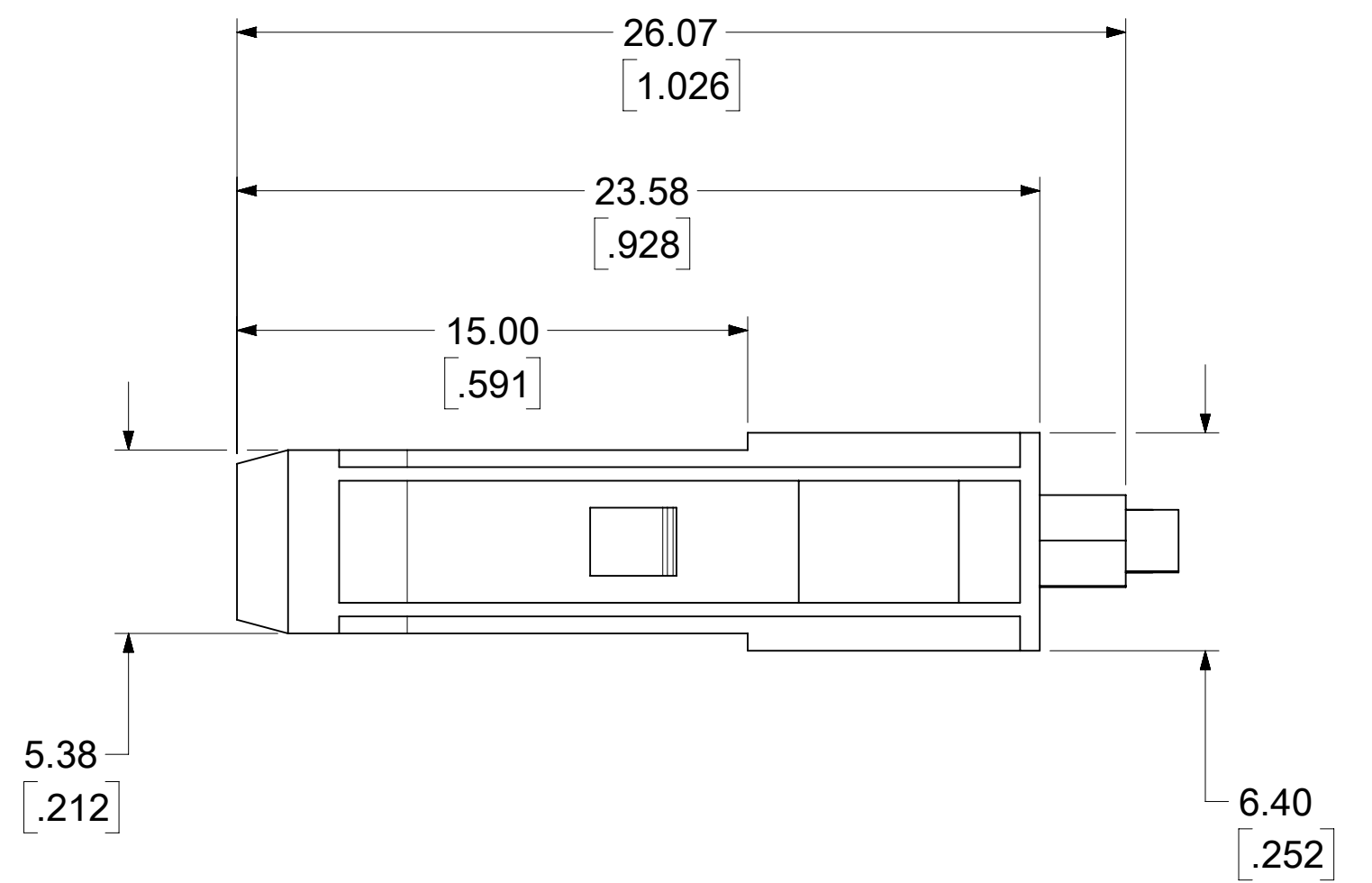
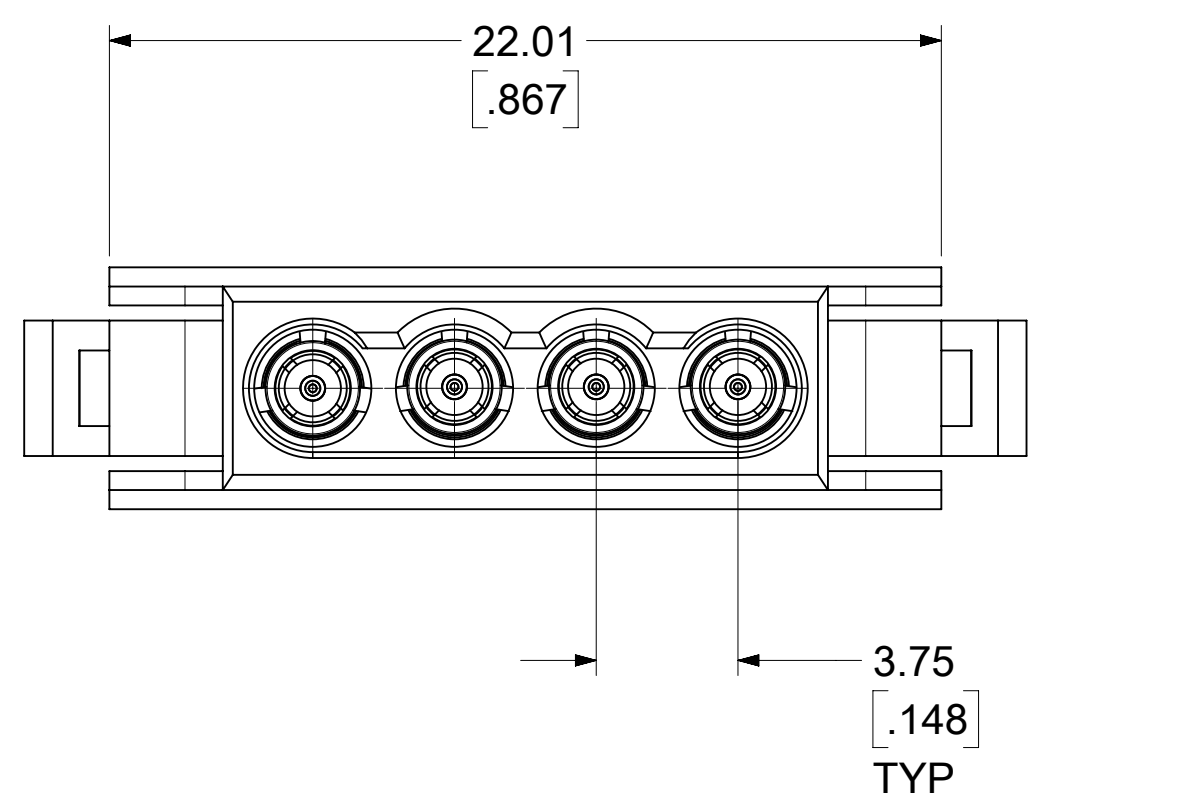
GANG OF 6

73358-1033	STANDARD
73358-1032	NON MAGNETIC
PART NO.	STYLE

FUNCTIONAL SYMBOLS	THIS DRAWING CONTAINS INFORMATION THAT IS PROPRIETARY TO MOLEX ELECTRONIC TECHNOLOGIES, LLC AND SHOULD NOT BE USED WITHOUT WRITTEN PERMISSION											
	DIMENSION UNITS	SCALE	CURRENT REV DESC:									
$\frac{E}{A} = 0$	MM/INCH	NTS	EWR-14515-A ADDED ASSEMBLY PROCESS									
$\frac{E}{C} = 0$	GENERAL TOLERANCES (UNLESS SPECIFIED)											
$\frac{E}{P} = 0$	ANGULAR TOL ± 2.0°											
DIVISIONAL SYMBOLS	4 PLACES	±	EC NO: 665013								MPRF GANG OF 4/6/8 PLUG 50 OHMS RG178 SIDE LATCH EWR-4895 MPRF-PC	
	3 PLACES	±	DRWN: JSU18 2021/05/25									
	2 PLACES	±	CHK'D: YCHENG 2021/06/02									
	1 PLACE	±	APPR: YCHENG 2021/06/02									
0 PLACES ±			INITIAL REVISION:								PRODUCT CUSTOMER DRAWING	
DRAFT WHERE APPLICABLE MUST REMAIN WITHIN DIMENSIONS			THIRD ANGLE PROJECTION		DRAWING	SERIES	DOCUMENT NUMBER			DOC TYPE	DOC PART	REVISION
					C-SIZE	73358	SD-73358-103			PSD	001	A5
							MATERIAL NUMBER			CUSTOMER		SHEET NUMBER
							GENERAL MARKET			2 OF 5		



INSTALLED CONNNECTORS ARE SHOWN FOR REFERENCE ONLY



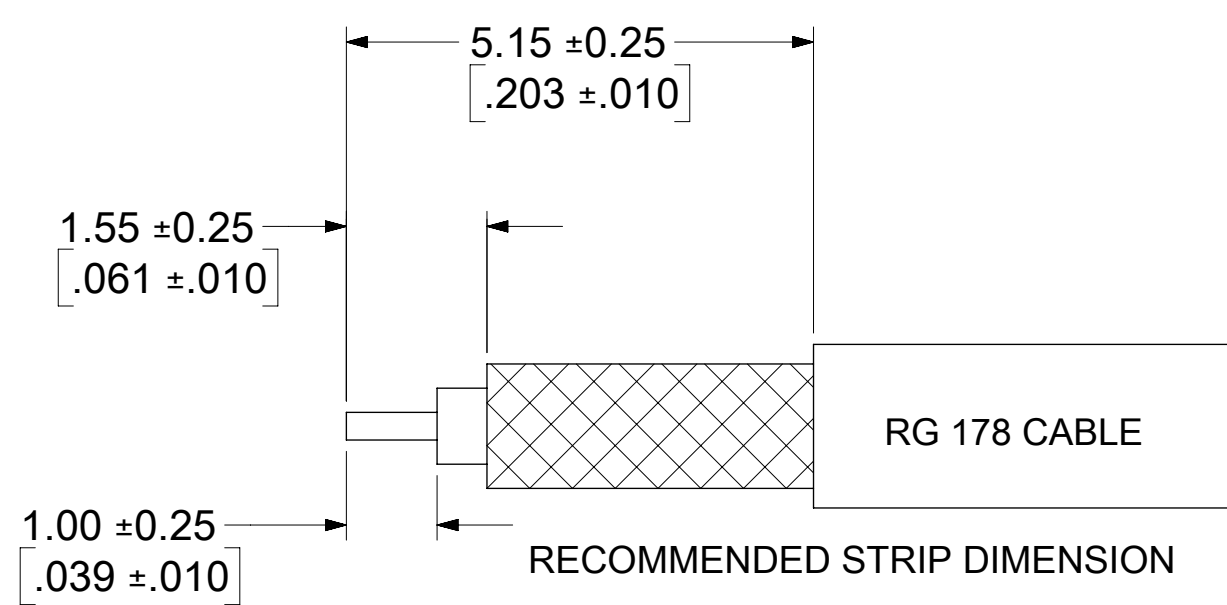
GANG OF 4

73358-1035	STANDARD
73358-1034	NON MAGNETIC
PART NO.	STYLE

FUNCTIONAL SYMBOLS $\nabla_A = 0$ $\nabla_C = 0$ $\nabla_P = 0$ DIVISIONAL SYMBOLS 4 PLACES ± 3 PLACES ± 2 PLACES ± 1 PLACE ± 0 PLACES ±	THIS DRAWING CONTAINS INFORMATION THAT IS PROPRIETARY TO MOLEX ELECTRONIC TECHNOLOGIES, LLC AND SHOULD NOT BE USED WITHOUT WRITTEN PERMISSION		CURRENT REV DESC:				
	DIMENSION UNITS	SCALE	EWR-14515-A ADDED ASSEMBLY PROCESS				
	MM/INCH	NTS	EC NO: 665013 DRWN: JSU18 2021/05/25 CHK'D: YCHENG 2021/06/02 APPR: YCHENG 2021/06/02				
	GENERAL TOLERANCES (UNLESS SPECIFIED)		INITIAL REVISION: DRWN: SSHAH 2013/02/05 APPR: JWIENER 2013/05/16				
ANGULAR TOL ± 2.0°		PRODUCT CUSTOMER DRAWING		DOCUMENT NUMBER	DOC TYPE	DOC PART	REVISION
DRAFT WHERE APPLICABLE MUST REMAIN WITHIN DIMENSIONS		THIRD ANGLE PROJECTION	DRAWING	SERIES	SD-73358-103		PSD 001 A5
			C-SIZE	73358	MATERIAL NUMBER	CUSTOMER	SHEET NUMBER
						GENERAL MARKET	3 OF 5

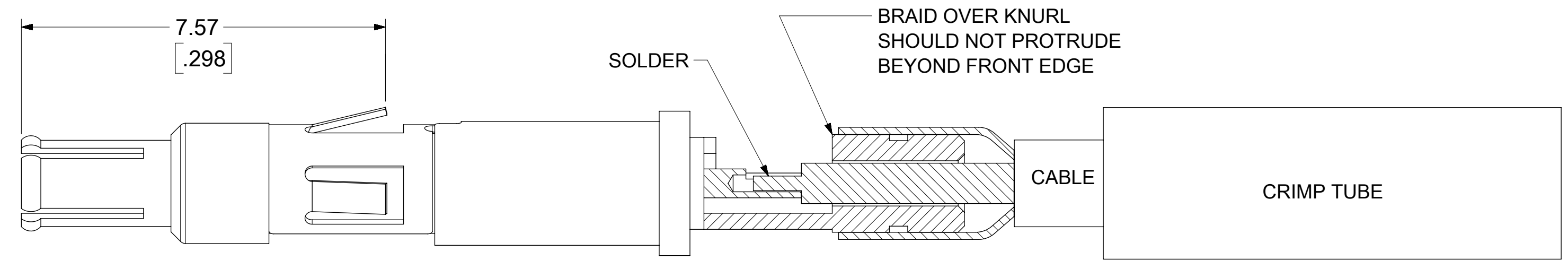
1

1. CUT AND STRIP CABLE PER DIMENSION SHOWN.



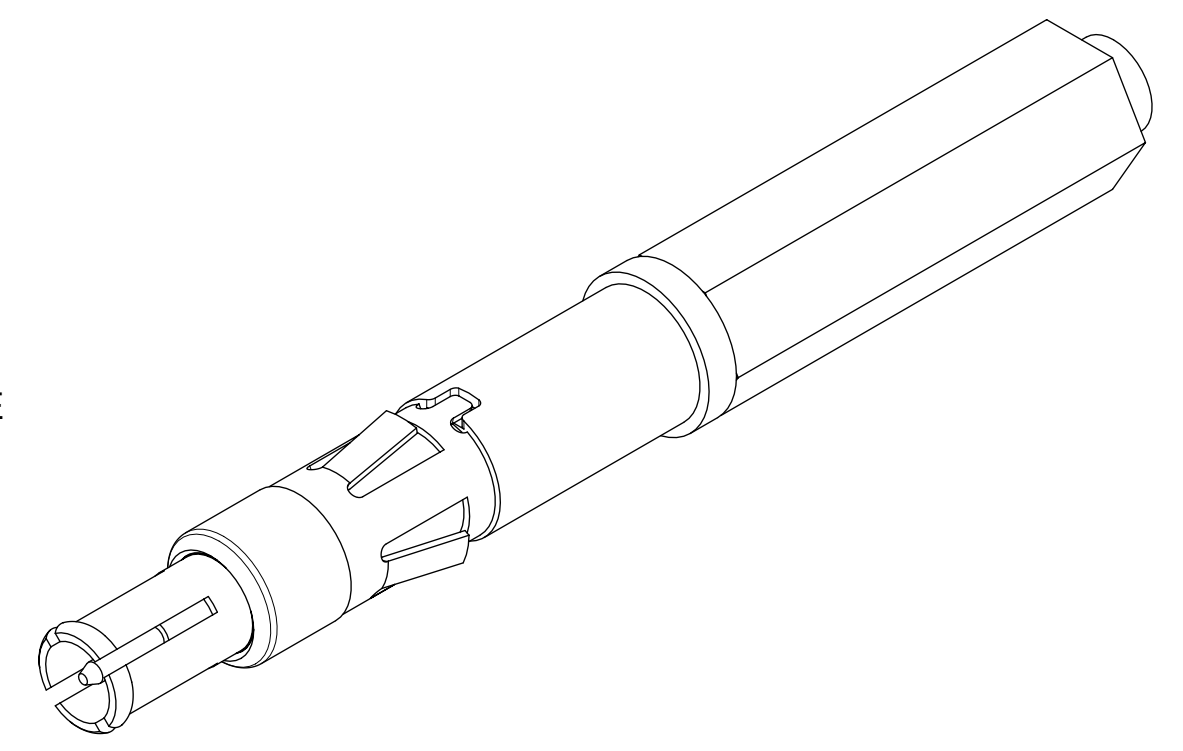
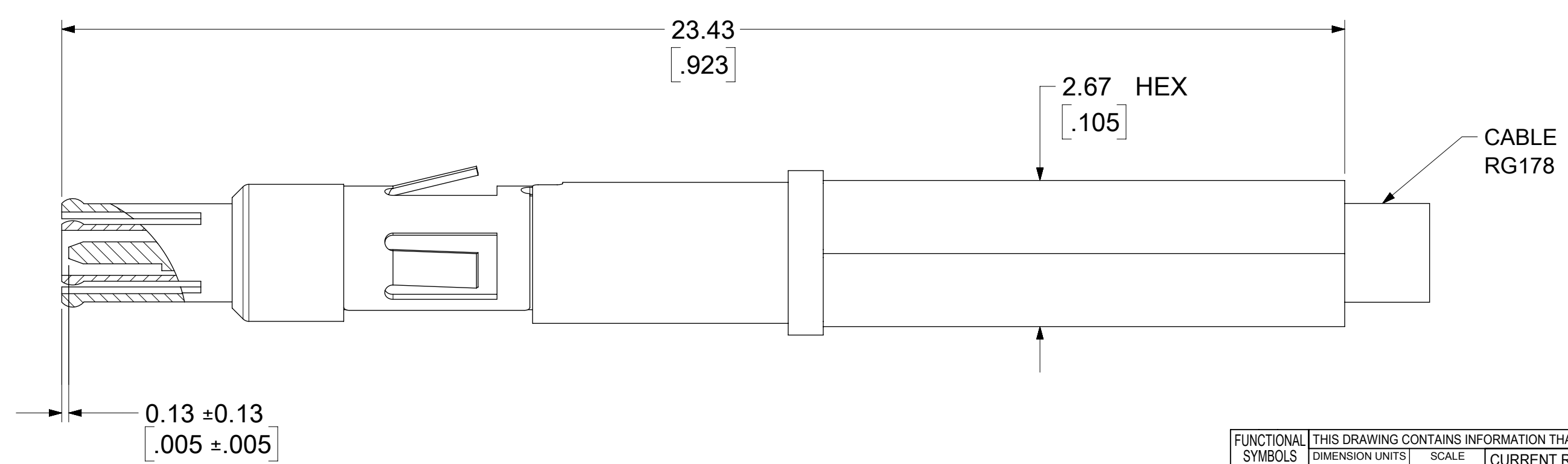
2

1. FLARE BRAID AND INSERT CABLE INTO CONNECTOR UNTIL CABLE DIELECTRIC BOTTOMS ON CONTACT. MAKE SURE CABLE BRAID DOES NOT PROTRUDE BEYOND FRONT EDGE AS SHOWN.
 2. SOLDER CABLE CENTER CONDUCTOR TO CONTACT AS SHOWN. NO SOLDER ALLOWED BEYOND CONTACT O.D.



3

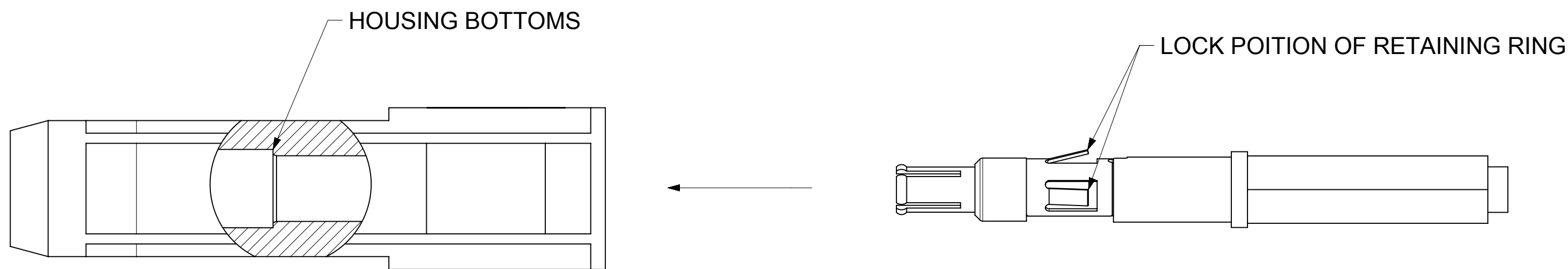
1. POSITION CRIMP TUBE FLUSH TO BODY FLANGE AS SHOWN AND CRIMP IT TO 2.67 [.105] HEX SIZE.
 2. VERIFY CONTACT DIMENSION.



THIS DRAWING CONTAINS INFORMATION THAT IS PROPRIETARY TO MOLEX ELECTRONIC TECHNOLOGIES, LLC AND SHOULD NOT BE USED WITHOUT WRITTEN PERMISSION											
FUNCTIONAL SYMBOLS	DIMENSION UNITS	SCALE	CURRENT REV DESC:								
$\nabla_A = 0$	MM/INCH	NTS	EWR-14515-A ADDED ASSEMBLY PROCESS								
$\nabla_C = 0$	GENERAL TOLERANCES (UNLESS SPECIFIED)		EC NO: 665013			MPRF GANG OF 4/6/8 PLUG					
$\nabla_P = 0$	ANGULAR TOL $\pm 2.0^\circ$		4 PLACES \pm			50 OHMS RG178 SIDE LATCH EWR-4895 MPRF-PC					
DIVISIONAL SYMBOLS	3 PLACES \pm		DRWN: JSU18			PRODUCT CUSTOMER DRAWING					
	2 PLACES \pm		CHK'D: YCHENG			DOCUMENT NUMBER					
	1 PLACE \pm		APPR: YCHENG			SD-73358-103					
	0 PLACES \pm		INITIAL REVISION:			DOC TYPE DOC PART REVISION					
	DRAFT WHERE APPLICABLE MUST REMAIN WITHIN DIMENSIONS		DRWN: SSHAH			PSD 001 A5					
	THIRD ANGLE PROJECTION		APPR: JWIENER			MATERIAL NUMBER CUSTOMER SHEET NUMBER					
	DRAWING		SERIES			GENERAL MARKET 4 OF 5					
	C-SIZE		73358								

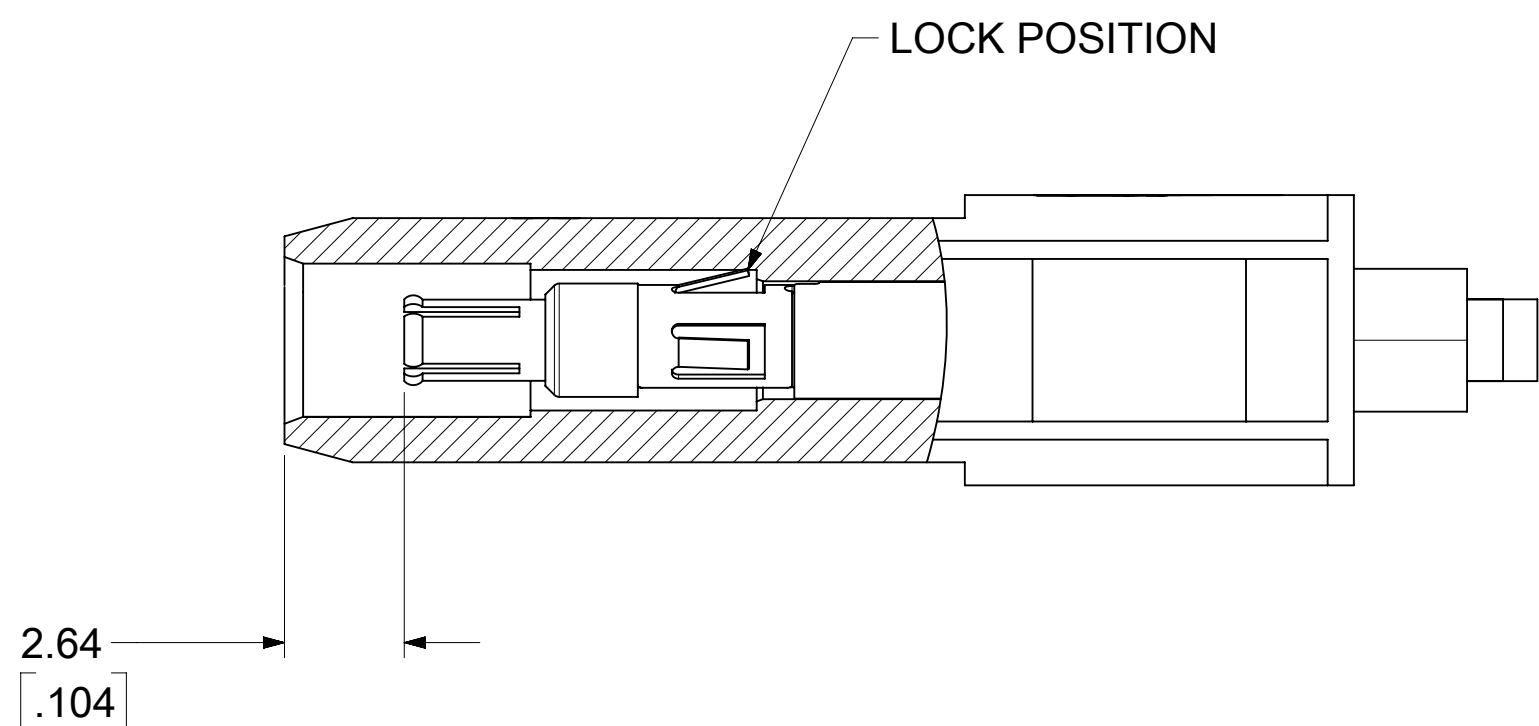
4

1. MANUAL AND INSERT CABLE ASSEMBLY TO HOUSING UNTIL LOCK POSITION ON HOUSING BOTTOMS



5

1. VERIFY LOCK POSITION WITH DIMENSION AS SHOWN



FUNCTIONAL SYMBOLS	THIS DRAWING CONTAINS INFORMATION THAT IS PROPRIETARY TO MOLEX ELECTRONIC TECHNOLOGIES, LLC AND SHOULD NOT BE USED WITHOUT WRITTEN PERMISSION										
	DIMENSION UNITS	SCALE	CURRENT REV DESC:								
$\frac{F}{A} = 0$	MM/INCH	NTS	EWR-14515-A ADDED ASSEMBLY PROCESS								
$\frac{F}{C} = 0$	GENERAL TOLERANCES (UNLESS SPECIFIED)		EC NO: 665013								
$\frac{F}{P} = 0$	ANGULAR TOL $\pm 2.0^\circ$		4 PLACES \pm				2021/05/25				
DIVISIONAL SYMBOLS	3 PLACES \pm		DRWN: JSU18				2021/06/02				
	2 PLACES \pm		CHK'D: YCHENG				2021/06/02				
	1 PLACE \pm		APPR: YCHENG				2021/06/02				
	0 PLACES \pm		INITIAL REVISION:				DRWN: SSHAH				
DRAFT WHERE APPLICABLE MUST REMAIN WITHIN DIMENSIONS		THIRD ANGLE PROJECTION		DRAWING		SERIES		MATERIAL NUMBER		CUSTOMER	
				C-SIZE		73358		SD-73358-103		GENERAL MARKET	

molex

MPRF GANG OF 4/6/8 PLUG
50 OHMS RG178 SIDE LATCH EWR-4895 MPRF-PC

PRODUCT CUSTOMER DRAWING

SD-73358-103

PSD 001 A5

DOCUMENT STATUS P1 RELEASE DATE 2021/06/02 10:07:25