

6 5 4 3 2 1

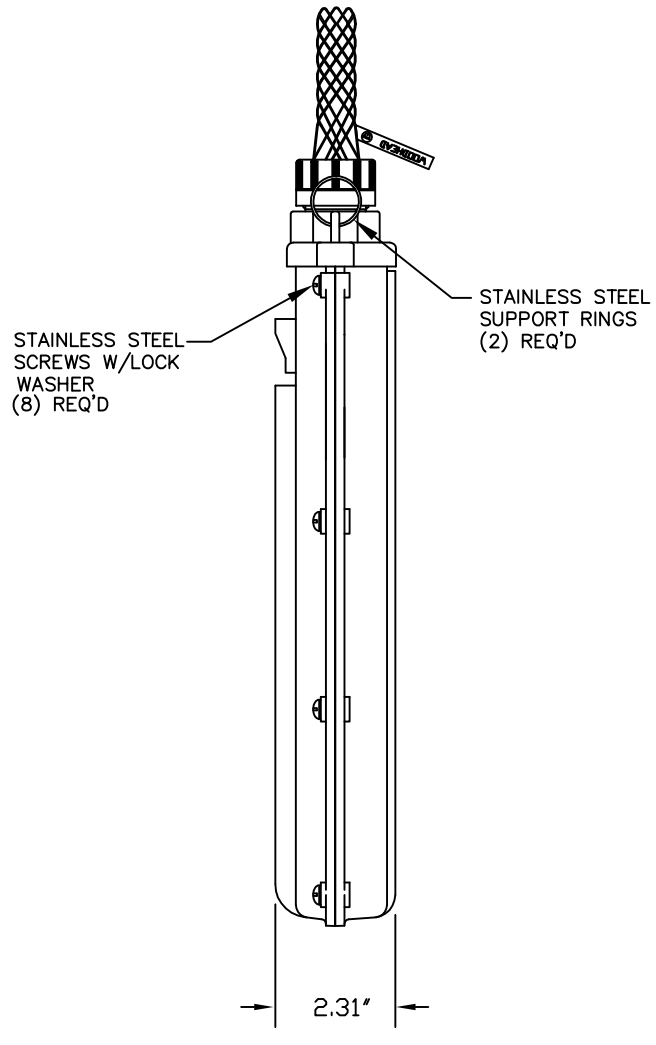
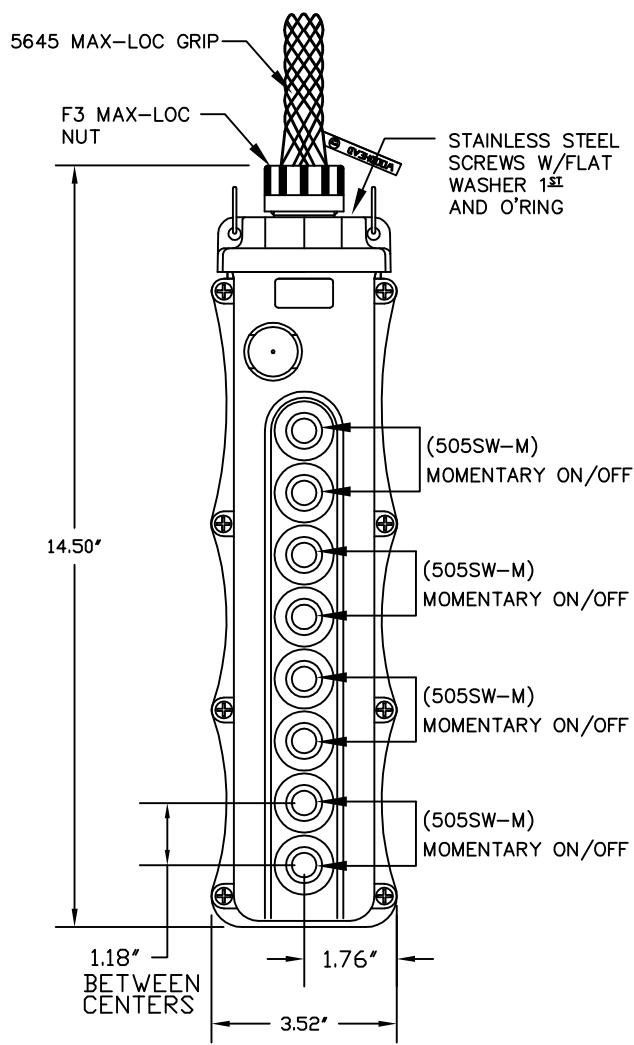
E E

D D

C C

B B

A A



- NOTES:
 1. INSTALLATION INSTRUCTIONS, BUTTON ID. LABELS. ARE PACK WITH THE PART.
 2. ALL BUTTONS ARE HIGH AMBIENT, CHEMICALLY RESISTANT MATERIAL - COLOR BLACK

RELEASE DRAWING EC NO: WNA2009-0344 DRWN: TVICKERS CHKD: HK APPR: DTTITUS 2008/11/24 2008/11/24 2008/11/26	DESCRIPTION A	QUALITY SYMBOLS ▽=0 ∇=0	GENERAL TOLERANCES (UNLESS SPECIFIED)		DIMENSION STYLE INCH		SCALE NTS	DESIGN UNITS INCH	THIRD ANGLE PROJECTION	
				mm	INCH	DRAWN BY	DATE	TITLE		
			4 PLACES	±----	±----	TV	2008/11/24	8 POS PENDANT W/ (4) 505SW-M		
			3 PLACES	±----	±.020	CHECKED BY	DATE			
			2 PLACES	±----	±.010	HK	2008/11/24	MOLEX INCORPORATED		
1 PLACE	±----	±.005	APPROVED BY	DATE						
ANGULAR ±5°			DT	2008/11/24	DOCUMENT NO.		SHEET NO.			
DRAFT WHERE APPLICABLE MUST REMAIN WITHIN DIMENSIONS			MATERIAL NO.		SD-130126-017		1 OF 1			
			SIZE	THIS DRAWING CONTAINS INFORMATION THAT IS PROPRIETARY TO MOLEX INCORPORATED AND SHOULD NOT BE USED WITHOUT WRITTEN PERMISSION						

6 5 4 3 2 1