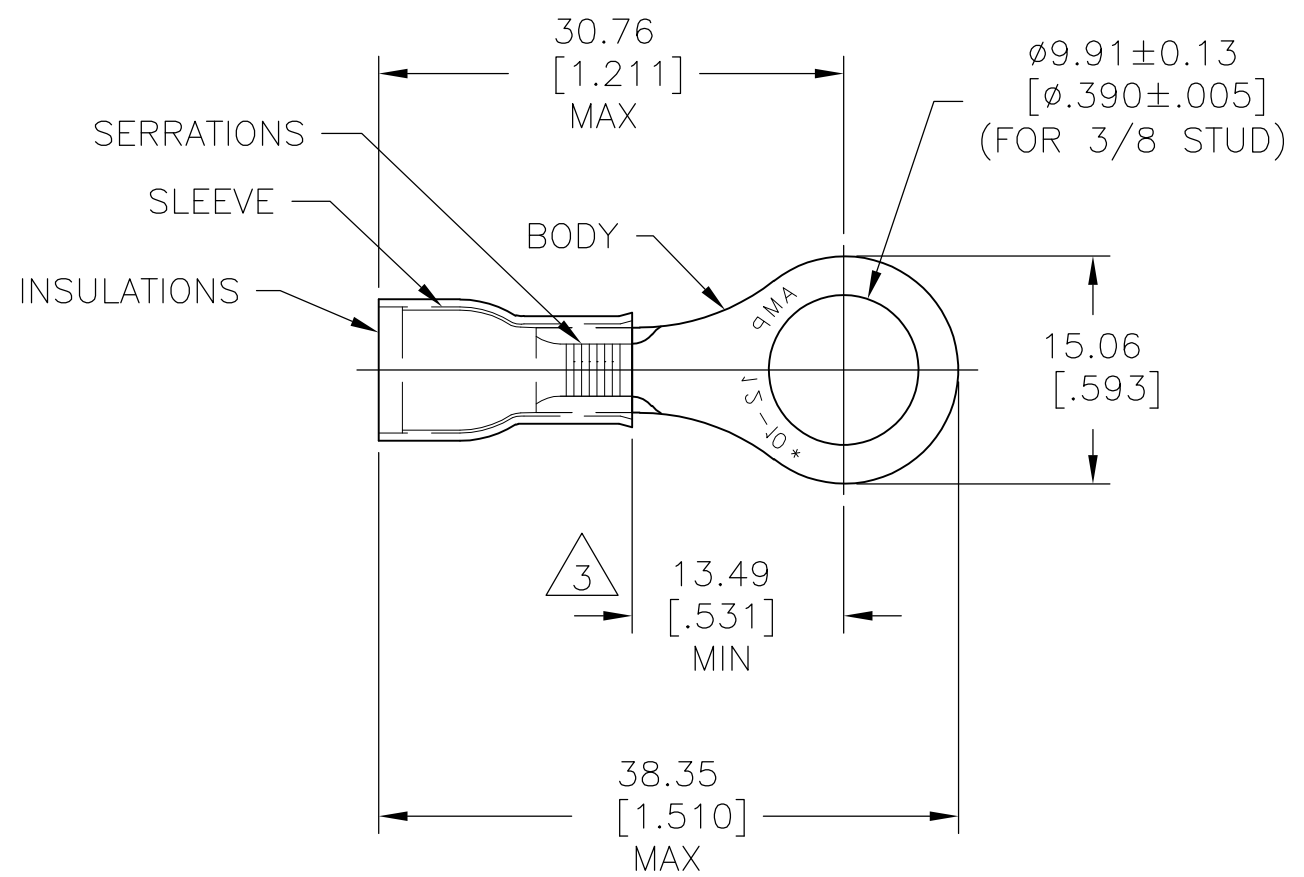


THIS DRAWING IS UNPUBLISHED. RELEASED FOR PUBLICATION
 © COPYRIGHT BY TYCO ELECTRONICS CORPORATION. ALL INTERNATIONAL RIGHTS RESERVED.

LOC	DIST	REVISIONS					
		P	LTR	DESCRIPTION	DATE	DWN	APVD
G	14		C1	REVISED PER ECR-09-009459	11JUN09	HMR	JR

- 1 FOR 4.32[.170] TO 7.62[.300] WIRE INSULATION DIA
- 2 TONGUE MATERIAL THK 1.02±0.05[.040±.002]
- △ 3 APPLIES FROM EDGE OF METAL BARREL TO CENTERLINE OF STUD HOLE.



QTY	DESCRIPTION	MATERIAL & FINISH	PART NO
1	35478 ON TAPE	SLEEVE: COPPER ASTM-B152 BODY: COPPER ASTM-B152 TIN PL ASTM-B545	1-35478-0
1	WIRE TERMINAL	INSULATION: PVC COLOR: YELLOW	35478

THIS DRAWING IS A CONTROLLED DOCUMENT.		DWN RAGHAVEDRA 11JUN09	Tyco Electronics Corporation Harrisburg, PA 17105-3608	
DIMENSIONS: mm [INCHES]		CHK JEFF RUTH 11JUN09	NAME WIRE TERMINAL PIDG - RING TONGUE WIRE SIZE: 12-10	
TOLERANCES UNLESS OTHERWISE SPECIFIED:		APVD TOM MICHIELUTTI 11JUN09	RESTRICTED TO	
0 PLC ± -		PRODUCT SPEC	SIZE A3	CAGE CODE 00779
1 PLC ± -		APPLICATION SPEC	DRAWING NO C-35478	SCALE 2:1
2 PLC ± -		WEIGHT -	SHEET 1 OF 1	REV C1
3 PLC ± 0.20[.008]		CUSTOMER DRAWING		
4 PLC ± -				
ANGLES ± .5°				
FINISH -				