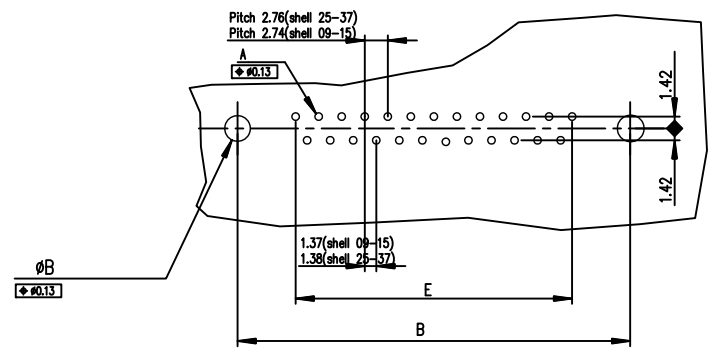


PC board drilling dimensions(after plating)
(thickness ≤ 3.20±0.30mm)



LEAD FREE PART NUMBERS

SHELL	A±0.38	B±0.12	C±0.10	D±0.25	E±0.07	PART NUMBER	PART NUMBER	PART NUMBER
09	30.81	24.99	16.96	16.79	10.96	D09P90C4P*OOLF	D09P90C6P*OOLF	D09P90C8P*OOLF
15	39.14	33.32	25.18	25.12	19.18	D15P90C4P*OOLF	D15P90C6P*OOLF	D15P90C8P*OOLF
25	53.03	47.04	39.12	38.84	33.12	D25P90C4P*OOLF	D25P90C6P*OOLF	D25P90C8P*OOLF
37	69.32	63.50	55.68	55.30	49.68	D37P90C4P*OOLF	D37P90C6P*OOLF	D37P90C8P*OOLF
						Gold Flash	0.76µ Gold	1.25µ Gold

Threaded ØT M3 = L
Threaded ØT 4.40 = X

GENERAL CHARACTERISTICS AND ROHS INFORMATIONS:
SEE DRAWING C01-8646-0001

Notes:

- The nut can protrude above the surface of insulator but maintaining the footprint dimension 5.60±0.15 mm.

mat'l. code		surface ISO 1302		tolerance ISO 406 ISO 1101		projection		product family D-SUB	
ltr		ecn no		dr		date		title	
F		ELX-I-21256		AB		2015/07/14		MALE CONNECTOR DELTA-D STRAIGHT - PRESS FIT	
		angles		linear		.0±0.1		MM	
		0°±2'				.00±0.1		scale 2:1	
		dr		JOUBERT		1996/07/03		dwg no sheet 1 of 1 size	
		engr		ALIAS BABU		2015/07/14		C01-8646-0461 A3	
		chr		MITHUN PAUL		2015/07/14		type Product Customer Drawing	
		app		BIJU K PAUL		2015/07/14			
sheet index		revision sheet		F 1					