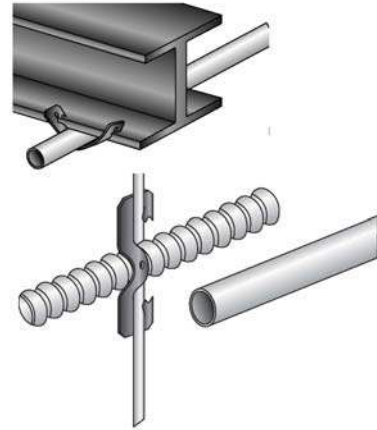


Part Number: PK16

Product Description: CONDUIT CLIP TO SUPPORT 1" CONDUIT FROM DROP WIRE OR FLANGE



Material Specifications

Type: High Carbon Steel, Spring Tempered

Finish: Zinc Phosphate and Oil

Color: Black

Function Specifications

Compatible Wires and Cables

AC/MC CABLE (OD): See current catalog for installation configurations

Drop Wire: See current catalog for installation configurations

Plain Rod (in): 1/4

Threaded Rods and Bolts

Tapped Holes:

Clearance Holes (in):

Threaded Rod Size (in):

Compatible Conduit

EMT Size (in): 1

Rigid/IMC (in): 3/4

Compatible Flanges and Studs

Flange Size (in): Up to 1/4

Metal Stud Size (ins):

Static Load Rating

Vertical (lbs): Positioning Only

Horizontal (lbs): Positioning Only

Other

Codes and Regulatory

Regulatory Certifications: -

Country of Origin: US

Packaging

General Packaging: Cardboard Box

Box Size: 8.25 X 6.25 X 6

Pieces per Package: 100

Other Box Features:

Document Information

Created By: DBLA

Checked By: DJW

Approved By: KLN

Customer Specification #: C11222

Revision Level: 01

ECN #: GAECN01482

Date: 12/10/2013