

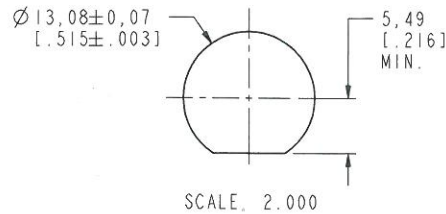
NOTES:

1. MATERIALS AND FINISHES:
 BODY - BRASS, NICKEL PLATING
 CONTACT - BERYLLIUM COPPER, SILVER PLATING
 CLAMP NUT - BRASS, NICKEL PLATING
 LOCKWASHER-PHOSPHOR BROZE, NICKEL PLATING
 INSULATOR - PTFE
2. ELECTRICAL:
 A. IMPEDANCE: 50 OHM
3. MECHANICAL:
 A. DURABILITY: 500 CYCLES MIN.
 B. TEMPERATURE RANGE: -65° C TO +165° C
4. PACKAGING:
 A. QUANTITY: SINGLE PACK
 B. MARKING: BAG TO BE MARKED
 "AMPHENOL RF, 31-207, AND DATE CODE"
5. USED WITH RG-59/U, RG-62/U AND RG-71/U CABLES.
6. SHOWS CABLE ENTRY DIMENSIONS.
7. CONTACT PIN SOLDER TO CABLE.

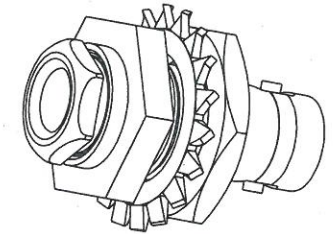
THIRD ANGLE PROJ.

REVISIONS

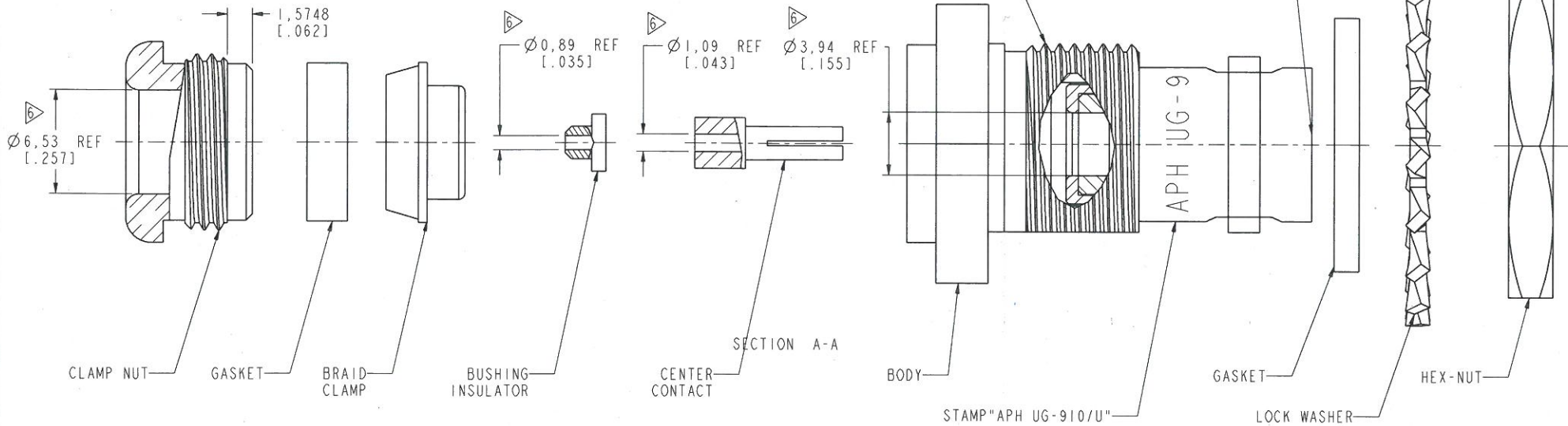
REV	DESCRIPTION	DATE	ECO	APPR
M	REDRAWN TO AUTOCAD; ADD NOTES 10&11; UPDATED PLATE CODES; ADD "UG-910/U&31-207" TO NOTE 8	04-Jun-11	43003	CMP/
N	UNIFIED DRW. BETWEEN ARF AND ARFA	26-Sep-11	47675	LPH



PANEL MOUNTING HOLE DETAIL



SCALE 2.000



CUSTOMER OUTLINE DRAWING

ALL OTHER SHEETS ARE FOR INTERNAL USE ONLY

UNLESS OTHERWISE SPECIFIED, DIMENSIONS ARE IN METRIC AND TOLERANCES ARE: <0.5mm ±0.05mm 0.5 - 6mm ±0.1mm 6 - 30mm ±0.2mm 30 - 120mm ±0.3mm ANGLES ±1°	MATERIAL	DRAWN I. XU	DATE 15-Jun-11	TITLE BNC JACK BULKHEAD UG-910/U	Amphenol RF Danbury CT USA, Tainan, Taiwan, Shenzhen, China www.amphenolrf.com
	REFERENCE	ENGINEER T. AUBIN	DATE 25-May-99		
NOTICE - These drawings, specifications, or other data (1) are, and remain the property of Amphenol Corp. (2) must be returned upon request; and (3) are confidential and not to be disclosed to any person other than those to whom they are given by Amphenol Corp. The finishing of these drawings, specifications, or other data by Amphenol Corp., or to any other person to anyone for any purpose is not to be regarded by implication or otherwise in any manner licensing, granting rights to permitting such holder or any other person to manufacture, use or sell any product, process or design, patented or otherwise, that may in any way be related to or disclosed by said drawings, specifications, or other data.	FINISH	APPROVED S. HSIEH	DATE 15-Jun-11	SCALE: 4.0:1.0 SHEET 2 OF 2 DWG SIZE B REV N	
			CAD FILE /PDM LINK		