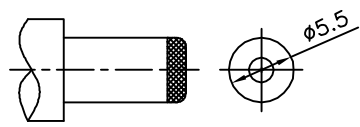
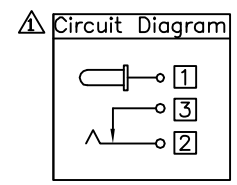
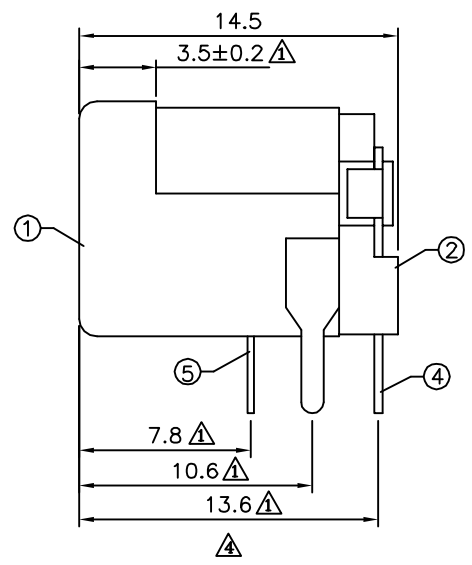
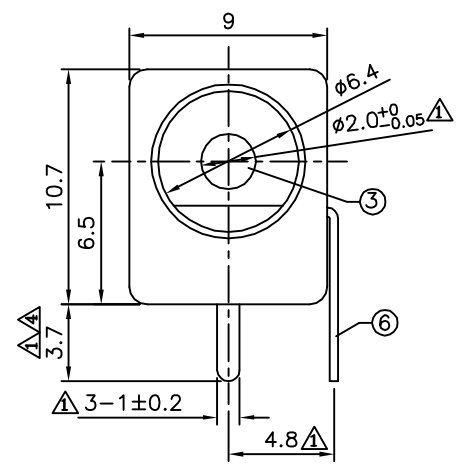
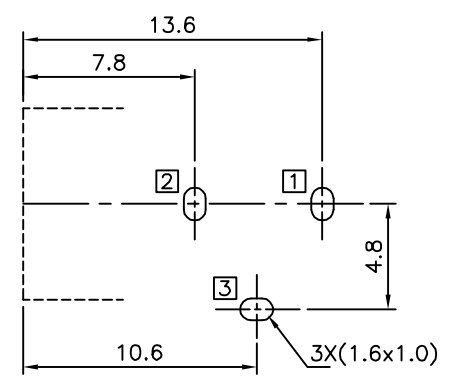


△ SPECIFICATION

Rating:DC 20V 4A
 Contact Resistance:30 Milliohms Max.
 Insulation Resistance:100 Megaohms Min. (DC 500V)
 Withstand Voltage:500V AC
 Insertion And Extraction Force:3~30N
 Life Test:5000 Cycles
 Operation Temperature Range:-20°C~+70°C
 Preservative Temperature Range:-40°C~+85°C
 RoHS Compliant



△ DC Mate Plug



△ Recommended P.C.B. Layout(Top View)

No.	Description	Q'ty	Material	Remark
⑥	Shunt Terminal	③ 1	Brass	Tin Plated
⑤	Tip Spring	② 1	Phosphor Bronze	Tin Plated
④	Center Pin Terminal	① 1	Brass	Tin Plated
③	Center Pin	① 1	Brass	CuSn Plated
②	Cover	1	PBT UL94V-0	Black
①	Housing	1	PBT UL94V-0	Black

4UCON 元化興業股份有限公司
 4UCON TECHNOLOGY INC.

DRAWING No.		APPROVED BY		UNLESS OTHERWISE SPECIFIED TOLERANCES ARE △ X. ±0.3 .X ±0.3 ANG. ±2°
18742		EMILY		
		CHECKED BY		
		HZF		
		DRAWING BY		
		WSS		
SCALE	NONE	REV.	A4	UNIT mm

NO.	REV.	REVISIONS	CHK	DATE
△ A4		Modify Data	HZF	03/16/2011
△ A3		Modify Data	HZF	12/02/2010
△ A2		Modify P/N Code	HZF	05/03/2010
△ A1		Modify Data	HZF	04/14/2010
△ A0		NEW RELEASE	HZF	05/01/2007