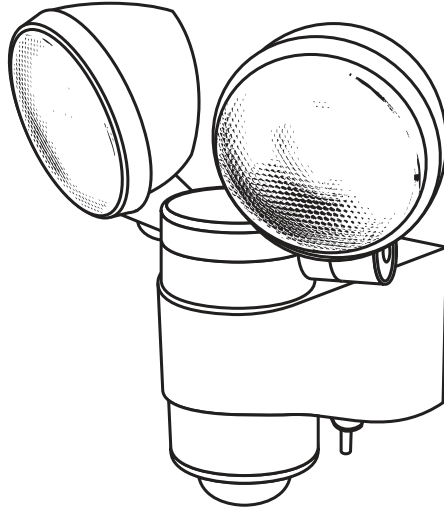


battery-powered
**DUAL-HEAD
LED SECURITY SPOTLIGHT**

Model #: 43218

ASSEMBLY & OPERATING INSTRUCTIONS



ABOUT YOUR DUAL HEAD LED SECURITY SPOTLIGHT

The Dual Head LED Security Spotlight is perfect for porches, doorways, or around the exterior of your home or business. The 8 super bright LEDs in the Dual Head LED Security Spotlight have an estimated life of 30,000 hours so they should never need changing.

This Dual Head LED Security Spotlight has an adjustable TIME dial that allows light duration of up to 30 seconds. New batteries should last roughly a year with normal usage.

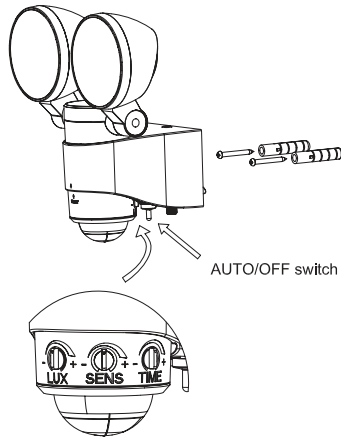
The Dual Head LED Security Spotlight has a built-in motion sensor, which automatically turns on the light when movement of a heat source (such as people, animals, or cars) is detected in the area. The light remains on while motion continues to be detected in the area.

The Dual Head LED Security Spotlight has a LUX setting which can be adjusted to control the functioning of the built-in photosensor so that the light only turns on at night.

The Dual Head LED Security Spotlight requires 3 C cell batteries (not included). The batteries typically last up to 1 year under normal use. The shorter the time period used, the longer the batteries will last. The spotlight may function irregularly or not at all at temperatures near or below freezing (20° F/-6° C) due to the functionality of alkaline batteries. Normal operation will return when the temperature rises.

INCLUDED PARTS:

Carefully remove and identify all the parts from their protective packaging and lay them out in front of you.



Adjustment dials are located on the backside of the motion sensor as shown in the pictures below. Rotate the motion sensor so you have access to the backside of it. This is the side that is opposite of the front, denoted by an arrow and the word FRONT on the motion sensor.

INSTALLING/REPLACING THE BATTERIES:

When the batteries run out of power, you can replace the batteries with 3 new C-Cell batteries. Follow the steps below when replacing the battery.

1. Switch the Dual Head LED Security Spotlight to OFF.
2. Remove the Dual Head LED Security Spotlight from its mounted back.
3. Remove the thumbscrew from the bottom of the back of the Dual Head LED Security Spotlight.
 - a. Gently press on the button on the top of the back of the Dual Head LED Security Spotlight and pull the light away from the mounting bracket.
 - b. If replacing old batteries, carefully remove the old batteries from the battery tray by hand and replace with three (3) new C-Cell batteries. If installing batteries for the first time, just insert three (3) new C-Cell batteries into the battery tray. Ensure that the new batteries are inserted in the correct +/- polarity orientation as indicated in the battery compartment.

WARNING: BATTERIES INSTALLED INCORRECTLY COULD POTENTIALLY DAMAGE THE UNIT.

4. Press the Dual Head LED Security Spotlight back into the mounted back until the top button clicks into place. You will have to press the button down first to get the mount to slide in.
5. Replace the thumb screw in the bottom of the back of the Dual Head LED Security Spotlight.
6. Switch the Dual Head LED Security Spotlight back to AUTO

NOTE: DO NOT DISPOSE OF BATTERIES IN GENERAL HOUSEHOLD TRASH OR INTO A FIRE SINCE THE BATTERIES MAY EXPLODE. CONSULT YOUR LOCAL REGULATIONS FOR CORRECT DISPOSAL OF BATTERIES. DO NOT TAKE APART THE BATTERIES SINCE THEY CONTAIN CORROSIVE CHEMICALS.

CHOOSING A LOCATION FOR YOUR DUAL HEAD LED SECURITY SPOTLIGHT:

This Dual Head LED Security Spotlight provides safety and security around your home. It is ideal for lighting up areas where electricity is not available such as porches, driveways, carports outside, garages and entrance areas.

When deciding where to mount the light, keep in mind that the motion sensor has a horizontal field of vision of 130° at a distance of up to 26 feet when the surrounding temperature is 75°F. The outside temperature will impact the detection distance. As temperatures get colder the motion sensor will become more sensitive and the range of the motion sensor will increase.

HOW TO INSTALL YOUR DUAL HEAD LED SECURITY SPOTLIGHT:

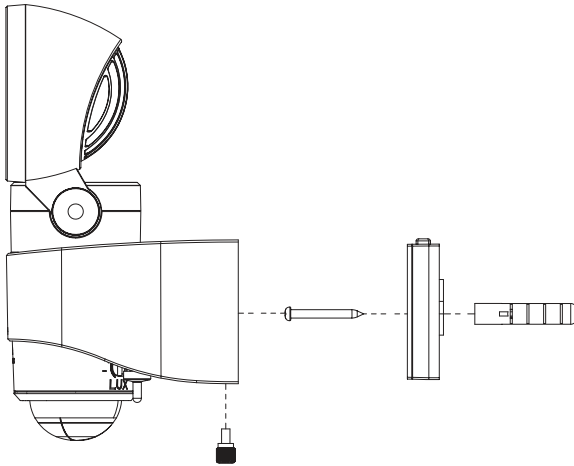
TOOLS REQUIRED FOR INSTALL:

You only need a Phillips head screwdriver, however if you want to mount into harder surfaces like cement, concrete, or brick, you will want to pre-drill holes.

Use the included mounting bracket and (2) screws to mount the Dual Head LED Security Spotlight securely to a wall.

TO INSTALL THE MOUNTING BRACKET:

1. Remove the mounting bracket from the back of the light by unscrewing the (one) thumb screw and pushing the button at the top of base of the light.



Be careful not to damage the mounting bracket as it also serves as the back of the light and the battery cover.

2. Align the mounting bracket on the wall and mark the locations of the two holes to be drilled with a pencil. Remove the mounting bracket from the wall.
3. Drill pilot holes for screws if needed. Screw anchors should be used for cement, brick, or similar surfaces.
4. Align the mounting bracket on the wall and install the two screws using a screwdriver.
5. Press the Dual Head LED Security Spotlight back into the mounted back until the top button clicks in place. You will have to press the button down first to get the mount to slide into place.
6. Replace the thumb screw in the base of the back.

OPERATING YOUR DUAL HEAD LED SECURITY SPOTLIGHT

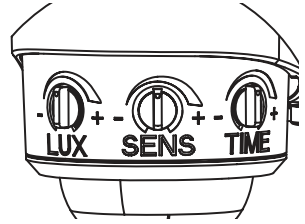
After installing new batteries in your Dual Head LED Security Spotlight, move the switch on the main body to the AUTO position. Your Dual Head LED Security Spotlight is now ready for use.

On the back of the motion sensor, there are 3 adjustment dials: TIME, SENS, and LUX

The Dual Head LED Security Spotlight has been factory preset as follows:
TIME - Set at 15 seconds.

SENS – Set at a 10 - 15 foot range (when the surrounding temperature is 75 F).

LUX - Set for your Security Light to activate at dusk when motion is detected.



If the above settings are not suitable for your application, then these may be adjusted by spinning the motion sensor around so you have access to the dials on the backside.

TIME PERIOD ADJUSTMENT

The time period control dial sets the duration that the Dual Head LED Security Spotlight will remain illuminated after the last detected motion. The time period has an adjustable range of 10 seconds to 30 seconds.

To decrease the time period, move the dial toward the (-) symbol.

To increase the time period, move the dial toward the (+) symbol.

Test the time period by triggering the motion sensor and measure the time period the light stays on. Adjust the TIME control until the desired illumination duration is reached.

A shorter TIME setting will conserve battery life. For best results, use the shortest TIME setting for your location as possible.

MOTION SENSOR RANGE ADJUSTMENT

The motion sensor on Dual Head LED Security Spotlight is temperature-sensitive. The cooler the temperature, the more sensitive the motion sensor will become. Use the SENS dial to adjust the sensitivity of the motion sensor to compensate for environmental temperature changes. The motion sensor is most sensitive when the SENS dial is turned fully clockwise (+).

To decrease sensitivity, move the dial toward the (-) symbol.

To increase sensitivity, move the dial toward the (+) symbol.

To test the motion sensitivity, aim the sensor head toward the desired area. Set the TIME dial to minimum (-) position and the LUX dial to maximum (+). Walk slowly around the area of detection, changing your walking pace until the Dual Head LED Security Spotlight comes on. If light does not come on, you may need to adjust the direction of the sensor unit. Make adjustments as needed until the desired level of sensitivity is reached. Re-adjust the TIME and SENS dials when complete.

LIGHT LEVEL ADJUSTMENT

The LUX dial controls the natural light level that triggers the Dual Head LED Security Spotlight and prevents it from operating during daylight hours. Your Dual Head LED Security Spotlight comes preset for activation at dusk.

To adjust for activation before dusk, move the dial toward maximum (+).

To adjust for activation after dusk, move the dial toward minimum (-).

RETURN ADJUSTMENT DIALS TO THE BACKSIDE

When finished with adjustments, rotate motion sensor so that the arrow and the word FRONT are visible in front. Adjustment dials should be on the backside of the motion sensor during every day use.

TROUBLESHOOTING:

PROBLEM	POSSIBLE SOLUTIONS
<p>Dual Head LED Security Spotlight will not switch on when there is movement in the detection area.</p>	<ul style="list-style-type: none"> • Ensure that the power button on the main body is in the AUTO position. • Ensure that the Dual Head LED Security Spotlight has been positioned so the motion sensor faces oncoming movement. • Ensure that the batteries have enough charge. • Check to see that the LUX control has not been set too far towards the minimum (-). Setting the LUX control too far towards minimum (-) will cause the Dual Head LED Security Spotlight to turn on only in complete darkness. • Check to see that the motion sensor is not near night time light sources such as street lights.
<p>Light switches on during the day</p>	<ul style="list-style-type: none"> • The LUX control may be set too far towards the maximum (+) position. • Reposition the Dual Head LED Security Spotlight so the motion sensor faces a different direction.
<p>Light switches on for no apparent reason</p>	<ul style="list-style-type: none"> • Moving trees, traffic, pets or birds may be getting in the area of detection. This may be unavoidable; however the sensor could be redirected to a spot where this is less likely to occur. • If there are reflective objects in the detection area such as windows, water, or white walls, you may need to redirect or possibly reposition the motion sensor. • Test the motion sensor by covering it completely with cardboard and waiting several minutes to make sure it does not detect motion. If the Dual Head LED Security Spotlight still switches on, please contact MAXSA for further assistance.
<p>Light quickly flashes on and off.</p>	<ul style="list-style-type: none"> • Battery charge may be low. See "Replacing the Batteries" on Pg 2 • Move the LUX control more towards the minimum (-) position..
<p>Light is not as bright as normal</p>	<ul style="list-style-type: none"> • Battery charge may be low. See "Replacing the Batteries" on Pg 2

MAINTENANCE TIPS:

The LED lights in your Dual Head LED Security Spotlight will last up to 30,000 hours and should never need replacement.

New batteries will last approximately 1 year with average use. The batteries can be accessed after removing the mounting bracket. The batteries needed are 3 C-Cell batteries.

To keep your Dual Head LED Security Spotlight looking new, keep the lens free of dust and deposits by wiping occasionally with a dry cloth or with warm soapy water.

COLD WEATHER FUNCTIONALITY

In temperatures below 20°F, performance of alkaline batteries may be reduced. Normal performance will return when the temperature rises.

SAFETY TIPS

Do not immerse the Dual Head LED Security Spotlight in water or other liquid.

STORAGE

If you wish to store your light indoors for more than two or three days, turn the power switch to the OFF position and remove the batteries to prevent damage to the batteries. Battery capacity may be reduced or damaged during prolonged storage.

ONE YEAR LIMITED WARRANTY

MAXSA Innovations, LLC warrants to the original consumer/purchaser that this product shall be free of defects in material and workmanship under normal use and circumstances for a period of one (1) year from the date of original purchase for use. When the original consumer/purchaser returns the product pre-paid (consumer pays return shipping) to MAXSA Innovations, LLC, 8412 Cathedral Forest Dr; Fairfax Station, VA 22039; USA within the warranty period, and if the product is defective, MAXSA Innovations, LLC will at its option repair or replace such. This warranty shall constitute the sole liability of MAXSA Innovations, LLC concerning the product. MAXSA Innovations, LLC expressly disclaims all other warranties INCLUDING, WITHOUT LIMITATION, THE WARRANTIES OF MERCHANTABILITY AND FITNESS FOR A PARTICULAR PURPOSE. NO PERSON, FIRM, OR CORPORATION IS AUTHORIZED TO ASSUME FOR MAXSA Innovations, LLC ANY OTHER LIABILITY IN CONNECTION WITH THE SALE AND USE OF THE PRODUCT.

MAXSA Innovations, LLC and agents and distributors will bear no liability whatsoever for incidental or consequential damages or charges of any kind. Some states do not allow the reclusion or limitation of incidental or consequential damages, so the above disclaimer regarding incidental or consequential damages may not apply to you. This warranty is void if the product has been damaged or tampered with or if the product or any such parts have been opened. In all cases of damage during shipment, a claim must be filed with the shipping carrier and not with MAXSA Innovations, LLC. This warranty gives you specific legal rights; you may also have other rights which vary from state to state.



MAXSA Innovations, LLC
8412 Cathedral Forest Drive
Fairfax Station, Va 22039
Tel: 703-495-0661

www.maxsainnovations.com
info@maxsainnovations.com

MADE IN CHINA

Please save these instructions for future reference.

v14.1
©2014 MAXSA Innovations, LLC