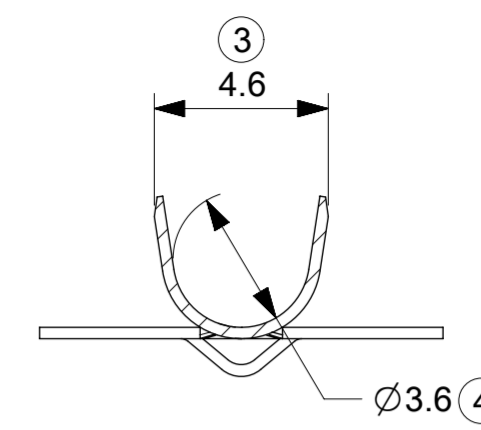
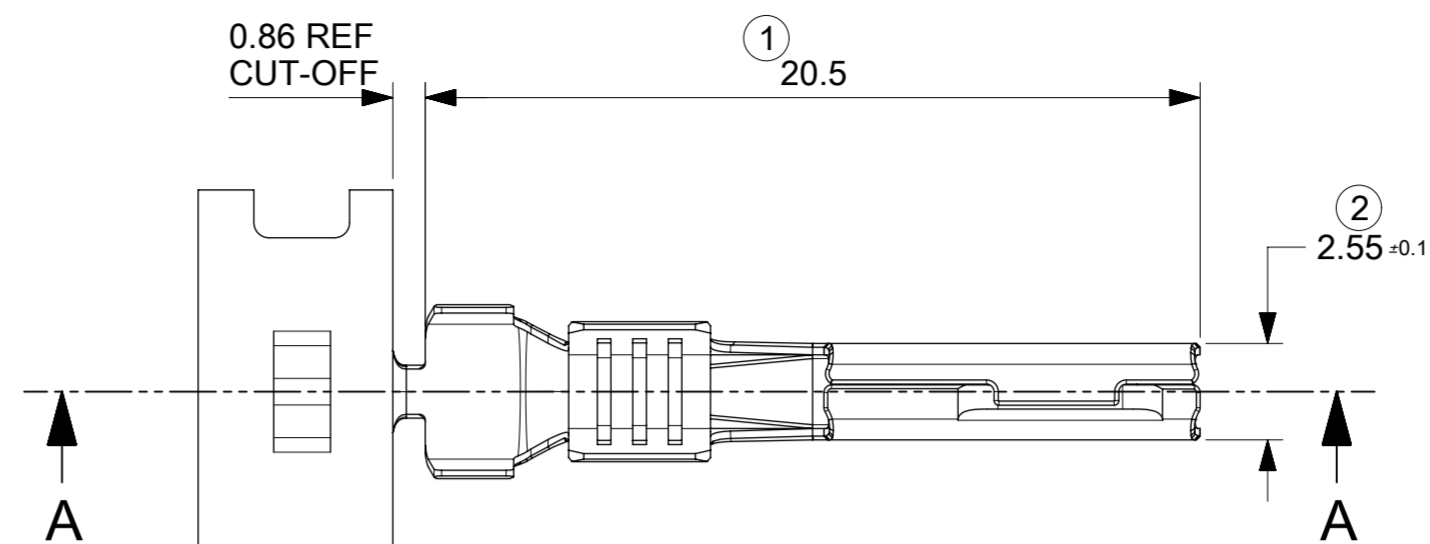
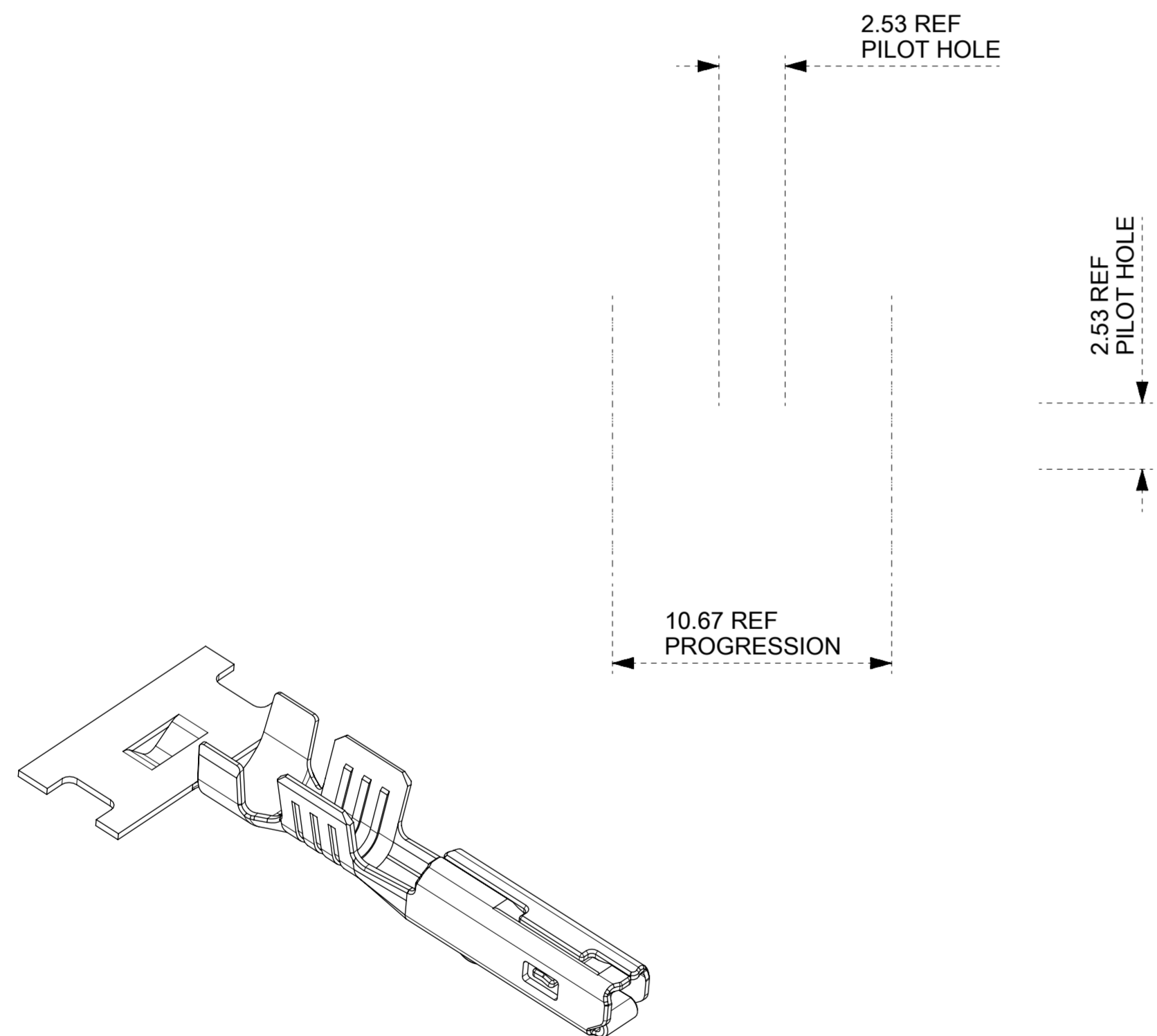


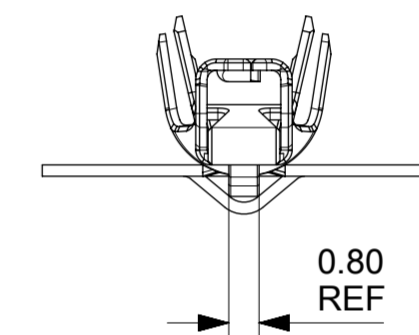
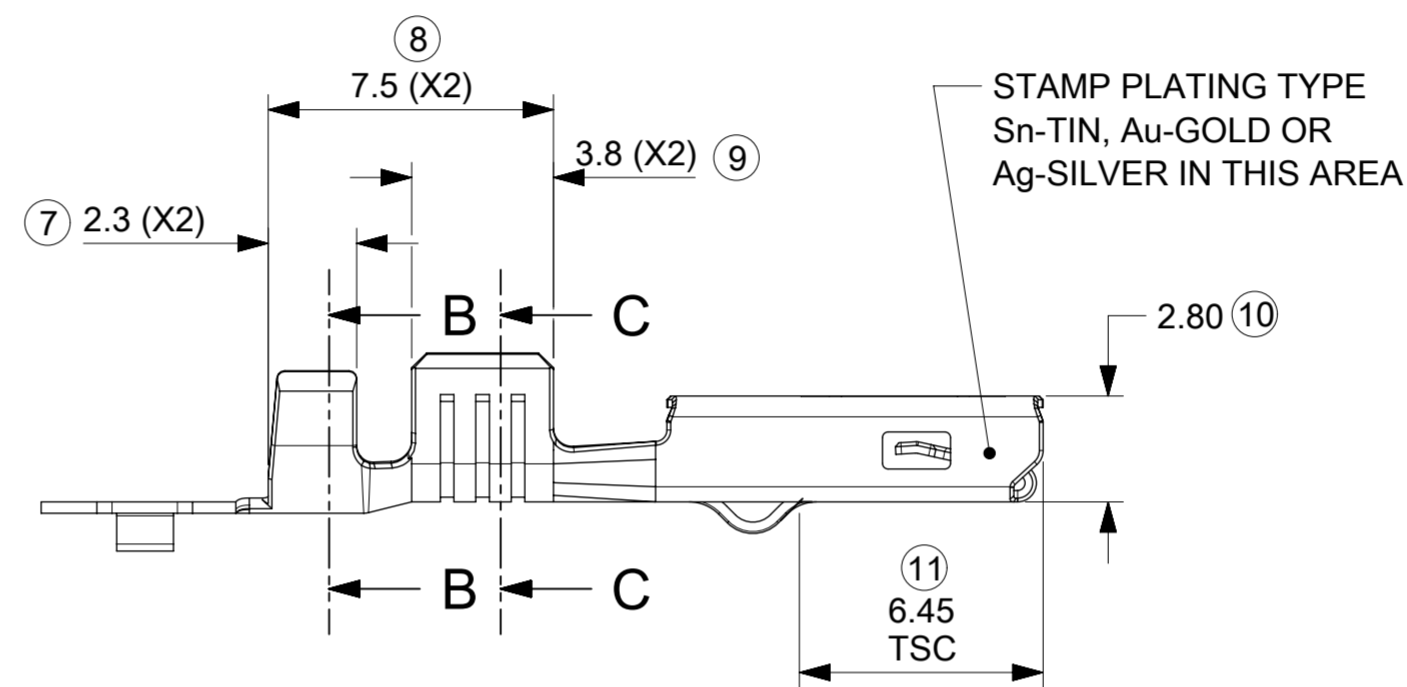
NOTES:

1. MATERIAL: COPPER ALLOY
2. TIN PLATED TERMINAL FINISH:
TIN (Sn), THICKNESS = 0.5 MICROMETRE MINIMUM
NICKEL (Ni) UNDERPLATE OVERALL
3. GOLD PLATED TERMINAL FINISH:
SELECTIVE GOLD (Au) IN CONTACT AREA, THICKNESS = 0.76 MICROMETRE MINIMUM
SELECTIVE TIN (Sn) IN GRIP AREA, THICKNESS = 2.5 MICROMETRE MINIMUM
NICKEL (Ni) UNDERPLATE OVERALL
4. SILVER PLATED TERMINAL FINISH:
SELECTIVE SILVER (Ag) IN CONTACT AREA, THICKNESS = 1.9 MICROMETRE MINIMUM
SELECTIVE TIN (Sn) IN GRIP AREA, THICKNESS = 2.5 MICROMETRE MINIMUM
NICKEL (Ni) UNDERPLATE OVERALL
5. MATES WITH: REFERENCE 936420010 PSD
6. PACKAGING SPECIFICATION: 936430010 PSK
7. APPLICATION SPECIFICATION: ATS-639033100
8. GRIP INSULATION STEP HEIGHT
9. TSC ON A DIMENSION TO BE INTERPRETED AS THE DISTANCE TO A THEORETICAL SHARP CORNER AS IF THE RADIUS WERE NOT PRESENT
10. STANDARD PLATING OPTION IS SILVER; CONTACT SALES OFFICE FOR ALTERNATIVE PLATING OPTIONS

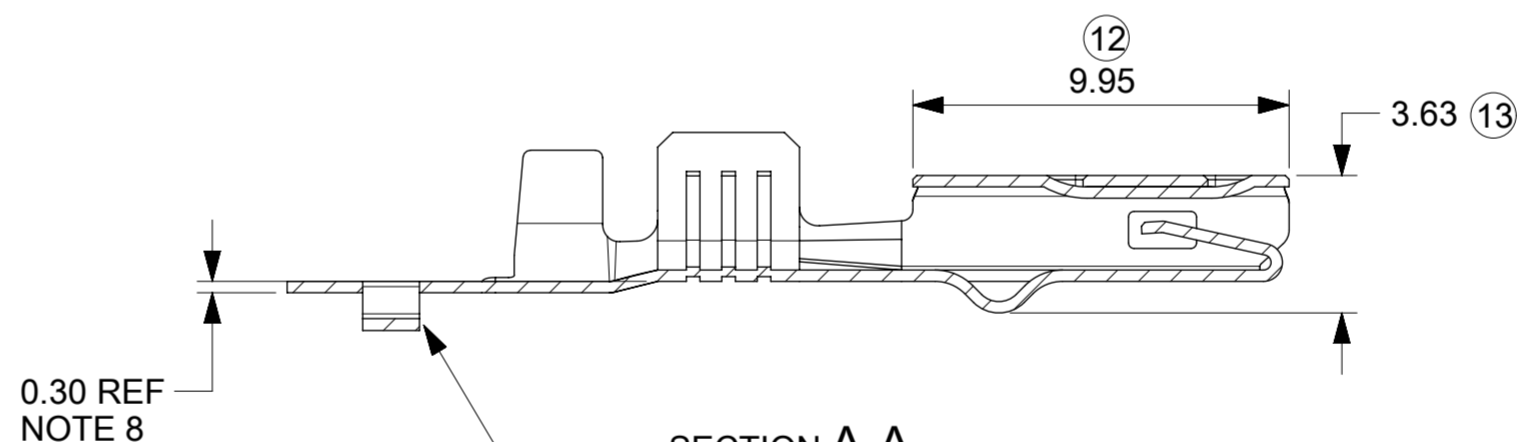
LAST INSPECTION NUMBER USED: 13



SECTION B-B

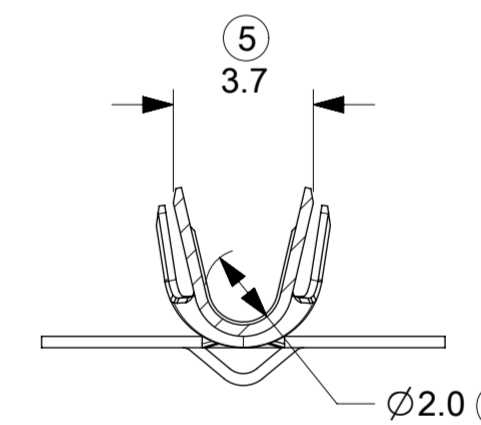


SECTION C-C



SECTION A-A

CARRIER BUMP DIRECTION:
POINTS DOWN FOR TIN PLATED TERMINALS
POINTS UP FOR PRECIOUS METAL PLATED TERMINALS



PART NUMBER	DESCRIPTION	AVAILABILITY
93643-0001	REEL OF SRC RECEPTACLE TERMINALS. TIN PLATED	SEE NOTE 10
93643-1001	REEL OF SRC RECEPTACLE TERMINALS. SILVER PLATED	AVAILABLE
93643-2001	REEL OF SRC RECEPTACLE TERMINALS. GOLD PLATED	SEE NOTE 10

QUALITY SYMBOLS	THIS DRAWING CONTAINS INFORMATION THAT IS PROPRIETARY TO MOLEX INCORPORATED AND SHOULD NOT BE USED WITHOUT WRITTEN PERMISSION		GENERAL TOLERANCES (UNLESS SPECIFIED)		DIMENSION UNITS	SCALE	molex								
▽ = 0	2015/10/08 2015/10/22		mm		5:1	SRC RECEPTACLE TERMINAL 2.5MM ² THIN WALL CABLE AS PER ISO 6722									
▽ = 0	2015/10/08 2015/10/22		ANGULAR TOL ± 2.0 °		DRWN BY		AJOBRIEN 2015/03/20								
▽ = 0	2015/10/08 2015/10/22		4 PLACES ±		CHK'D BY		JFLETCHER 2015/03/24								
▽ = 0	2015/10/08 2015/10/22		3 PLACES ±		APPR BY		JDWALLACE 2015/04/17								
▽ = 0	2015/10/08 2015/10/22		2 PLACES ± 0.2		DRAWING SIZE		A2								
▽ = 0	2015/10/08 2015/10/22		1 PLACE ± 0.35		THIRD ANGLE PROJECTION		<table border="1"> <tr> <td>SERIES</td> <td>MATERIAL NUMBER</td> <td>CUSTOMER</td> </tr> <tr> <td>93643</td> <td>SEE TABLE</td> <td>GENERAL MARKET</td> </tr> </table>			SERIES	MATERIAL NUMBER	CUSTOMER	93643	SEE TABLE	GENERAL MARKET
SERIES	MATERIAL NUMBER	CUSTOMER													
93643	SEE TABLE	GENERAL MARKET													
☒ = 0	2015/10/08 2015/10/22		0 PLACES ±		DOCUMENT NUMBER		936430010								
■ = 0	2015/10/08 2015/10/22		DRAFT WHERE APPLICABLE MUST REMAIN WITHIN DIMENSIONS		DOC TYPE		PSD								
▽ = 0	2015/10/08 2015/10/22		A1		DOC PART		000								
						SHEET NUMBER		1 OF 1							