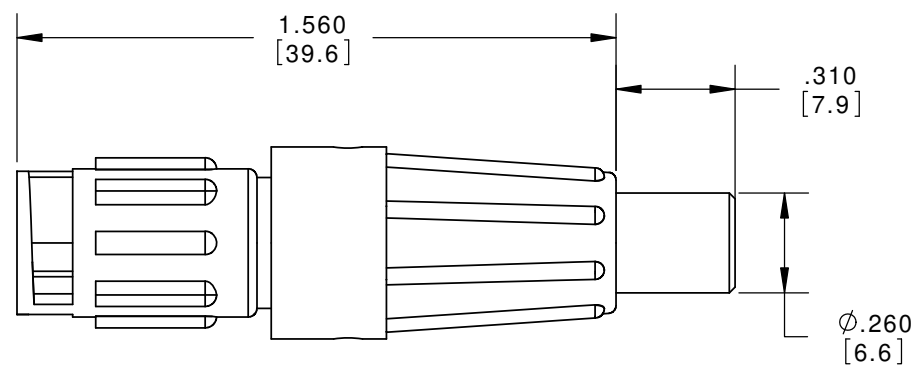
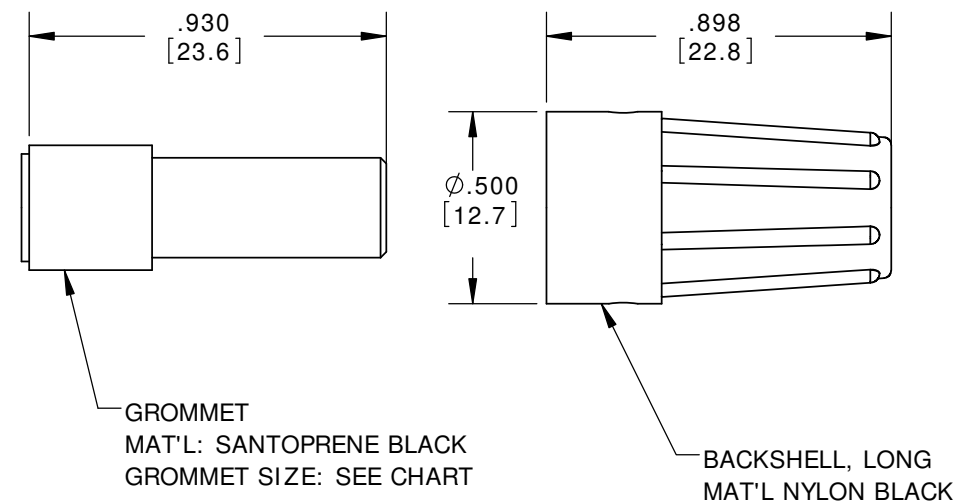
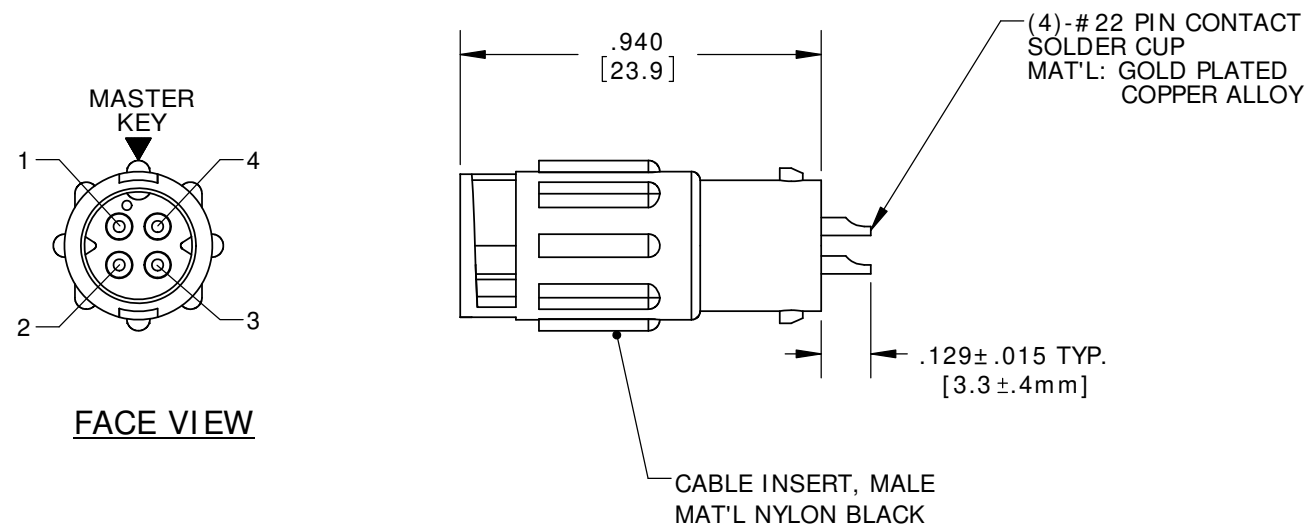


**NOTES:**

1. PARTS ARE TO BE BULK PACKED.
2. CONTACTS ARE ASSEMBLED INTO CONNECTOR.
3. ALL DIMENSIONS ARE FOR REFERENCE ONLY EXCEPT IF THEY HAVE A TOLERANCE.

ASS'Y P/N	CABLE O.D.
18882-4PG-518	0.175 - 0.185 [4.4-4.7]
18882-4PG-521	0.205 - 0.215 [5.2-5.5]
18882-4PG-522	0.215 - 0.225 [5.5-5.7]

GROMMET SIZE



BRACKETS [ ] INDICATE METRIC DIMENSIONS.

**CUSTOMER APPROVAL**

THIS DOCUMENT CONTAINS CONFIDENTIAL INFORMATION PROPRIETARY TO CONXALL CORPORATION. ANY REPRODUCTION, DISCLOSURE, OR USE OF THIS DOCUMENT / INFORMATION IS EXPRESSLY PROHIBITED UNLESS AUTHORIZED IN WRITING BY CONXALL CORPORATION.

APPROVED BY: \_\_\_\_\_

DATE: \_\_\_\_\_

**RoHS COMPLIANT**

REV.	INIT.	DATE	DESCRIPTION
D	SS	06-08-18	UPDATE MANUFACTURING DRAWING PER ECR 9211-3
C	AN	01-13-14	DRAWING NO. WAS 18882-4PG-XXX, REMOVED SHORT BACKSHELL ASSEMBLIES, ADDED TOLERANCE AND MATERIALS. PER ECR 8074
B	PD	09-01-11	UPDATE MANUFACTURING DRAWING PER ECR 7959
		07-21-10	CHANGED CONTACT SOLDER BARREL FROM 20AWG TO 22AWG
A	PAK	03-24-10	DRAWING CREATED PER DOR 06-E168CS

ALL INFORMATION ILLUSTRATED IS THE PROPERTY OF CONXALL CORPORATION. UNAUTHORIZED DUPLICATION OR DISTRIBUTION OF THIS DOCUMENT IS PROHIBITED.		ORIG. DRAWN BY: PAK	DATE: 03-24-10
ALL UNITS ARE IN FEET, INCHES, FRACTION OF INCHES AND DECIMALS.		CHECKED BY:	
APPROVED BY:		TITLE: IN-LINE CONNECTOR KIT (4) #22 PIN CONTACT, SOLDER MICRO-CON-X STANDARD PRODUCT	
SCALE: NTS	SIZE: B	SHEET: 1 OF 1	CUSTOMER: 18882-4PG-5XX
FILE: 18882-4PG-5XX	DIRECTORY: SLW	PART NUMBER: 18882-4PG-5XX	REV D



601 E. WILDWOOD VILLA PARK, IL 60181