

THIS DRAWING IS UNPUBLISHED.

RELEASED FOR PUBLICATION

ALL RIGHTS RESERVED.

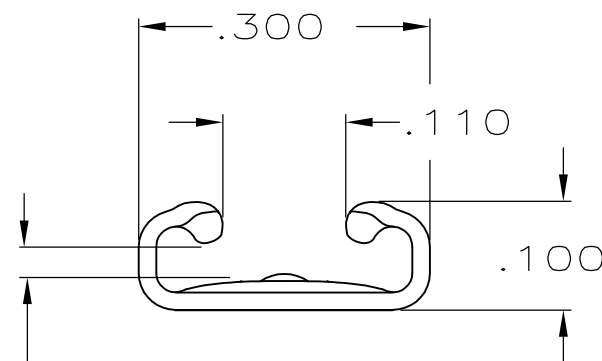
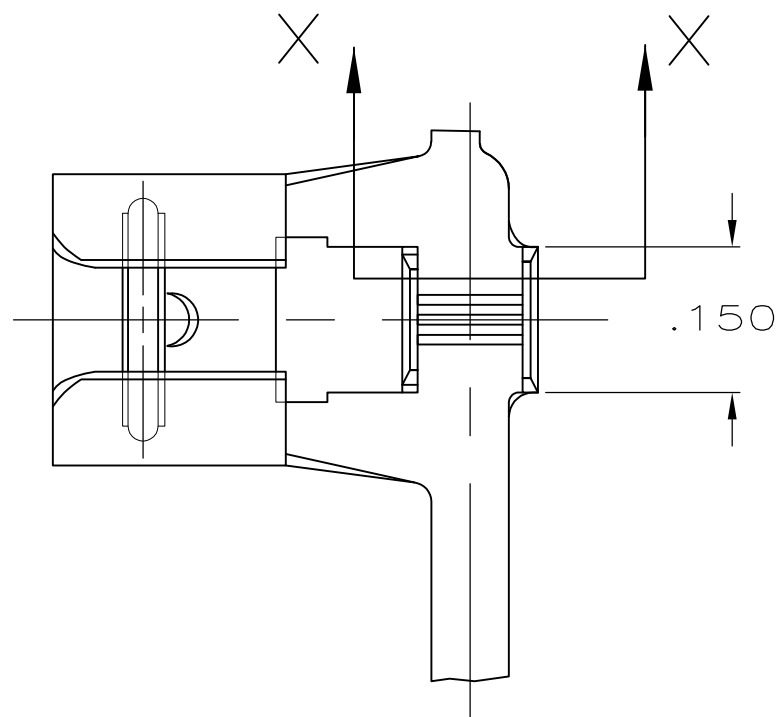
© COPYRIGHT - By -

LOC AF DIST 50

REVISIONS

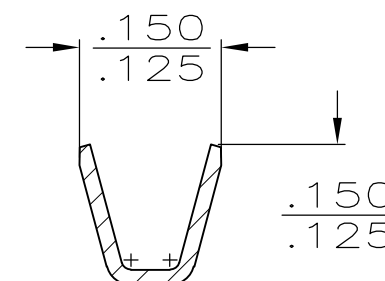
P	LTR	DESCRIPTION	DATE	DWN	APVD
	F	REVISED PER ECR-12-013518	23NOV2012	KH	PD

1 CONTINUOUS STRIP ON REELS

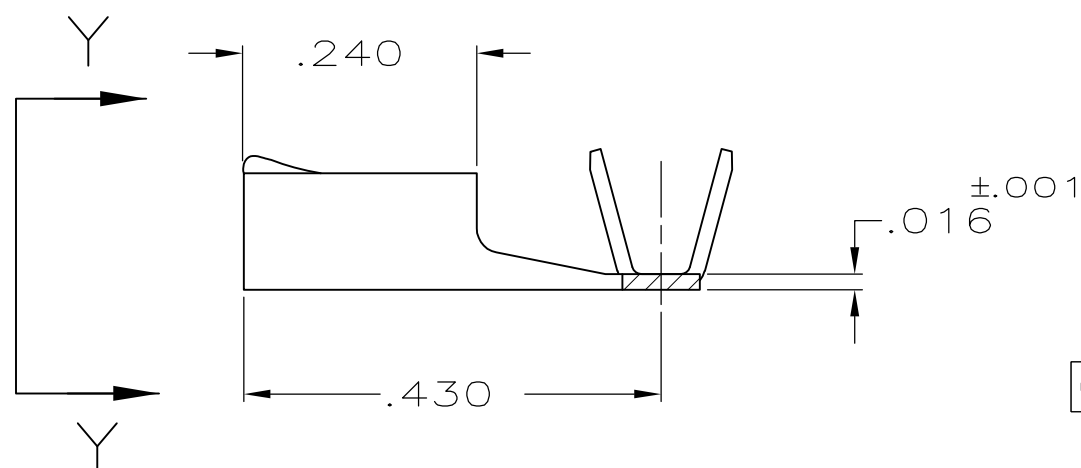


FITS .250 SERIES FASTON TAB

VIEW Y-Y



SECTION X-X



OBSOLETE

PRE-TIN	18-14	.032	63508-2
FINISH	18-14	.032	63508-1
	WIRE SIZE	MATING TAB THK ±.001	PART NO

.218	F	.110	.070	14
			.061	16
			.055	18
STRIP LENGTH ±.015	TYPE	WIDTH	±.002 HEIGHT	WIRE
WIRE BARREL CRIMP				

THIS DRAWING IS A CONTROLLED DOCUMENT.	
DIMENSIONS: INCHES	TOLERANCES UNLESS OTHERWISE SPECIFIED:
	0 PLC ± -
	1 PLC ± -
	2 PLC ± -
	3 PLC ± .010
	4 PLC ± -
	ANGLES ± -
MATERIAL BRASS	FINISH SEE TABLE

DWN JR RUTH 8/3/88	NAME
CHK M FETHER 8/3/88	
APVD C MEYERS 8/4/88	
PRODUCT SPEC R KUZO	
APPLICATION SPEC	RESTRICTED TO
WEIGHT -	

STE TE Connectivity			
RECEPTACLE, FASTON,™ FLAG, .250 SERIES			
SIZE A3	CAGE CODE 00779	DRAWING NO C-63508	RESTRICTED TO -
CUSTOMER DRAWING		SCALE 5:1	SHEET 1 OF 1 REV F