

THIS DRAWING IS UNPUBLISHED.

RELEASED FOR PUBLICATION

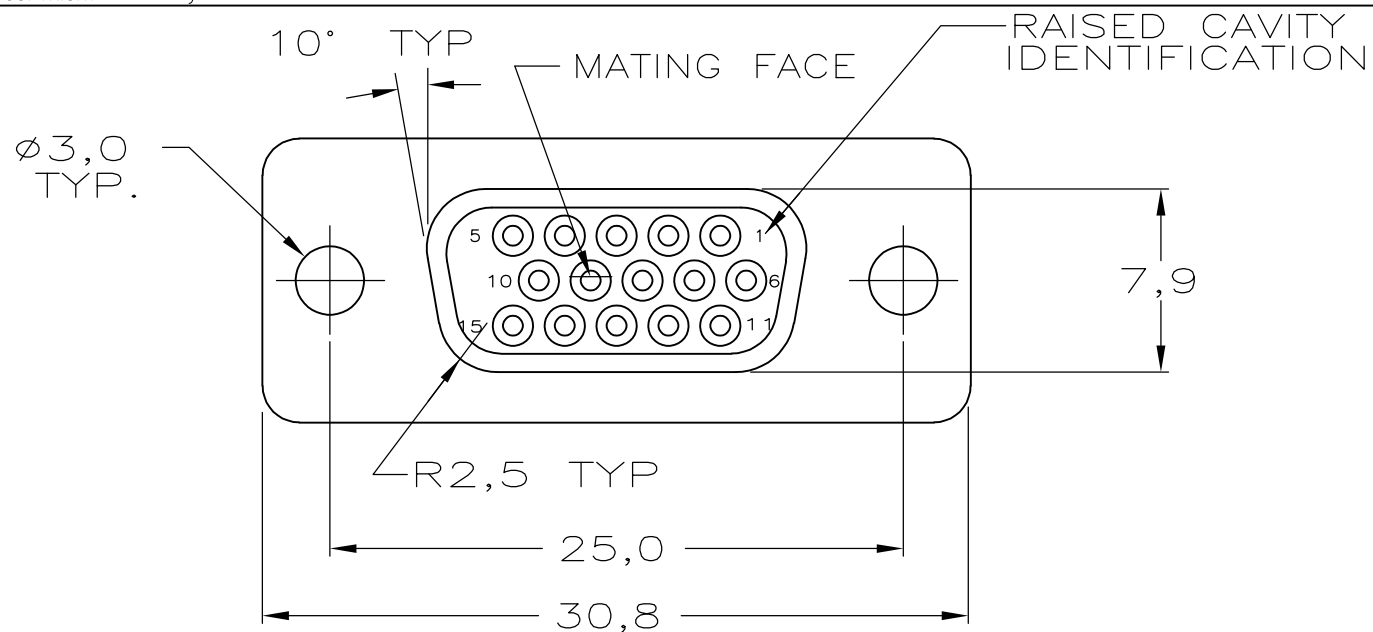
ALL RIGHTS RESERVED.

© COPYRIGHT - By -

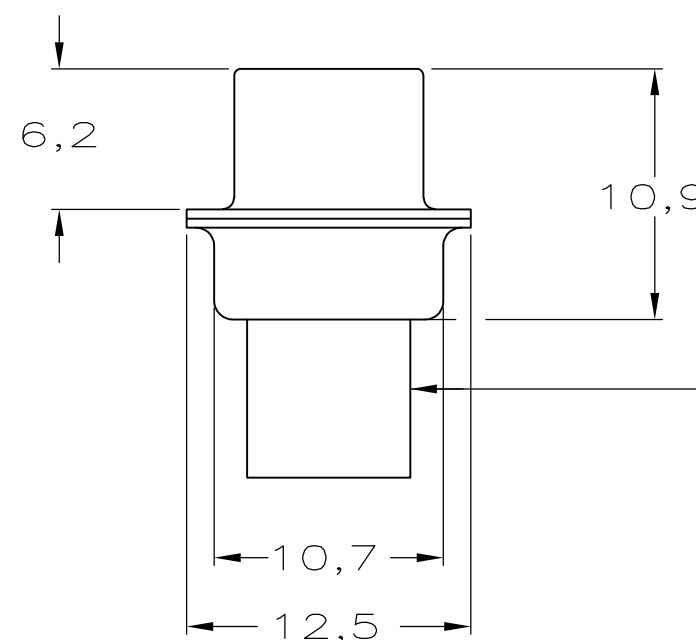
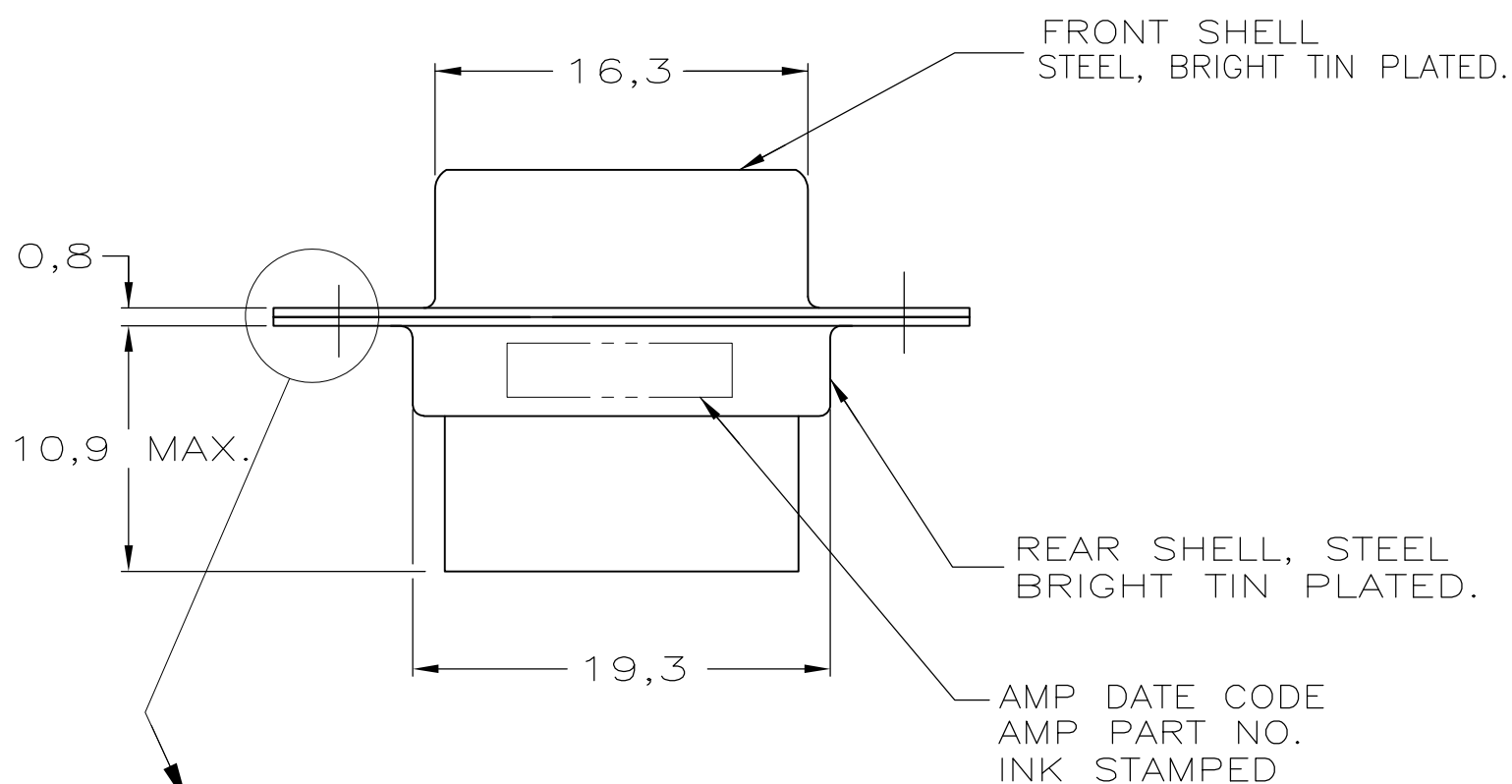
LOC GP DIST 00

REVISIONS

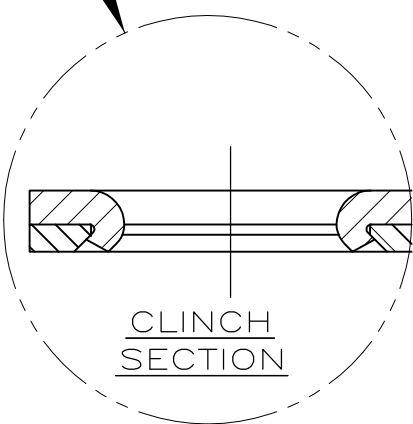
P	LTR	DESCRIPTION	DATE	DWN	APVD
	A	REVISED PER ECO-14-008376	11DEC2014	CJV	DLG



- 1 THIS RECEPTACLE ACCEPTS SIZE 22 REC. CONTACTS.
- 2 RETENTION TINES ARE AN INTEGRAL PART OF INSERT.
- 3 CONTACT INSERTION/REMOVAL TOOL AMP P.N. 91285-1 IS RECOMMENDED FOR USE WITH THESE CONNECTORS:



INSERTS: NYLON
GLASS-FILLED
SELF-EXTINGUISHING
COLOR: BLACK



THIS DRAWING IS A CONTROLLED DOCUMENT.		DWN J. v. d. HEIJDEN 06DEC1988	TE Connectivity		
		CHK C. v. TILBURG 02JAN1989			
DIMENSIONS: mm		APVD -	NAME		
TOLERANCES UNLESS OTHERWISE SPECIFIED:		PRODUCT SPEC -	HDP-22 REC. CONNECTOR, SIZE 1, (15 POSITION)		
0 PLC ± -		APPLICATION SPEC -	-		
1 PLC ± -		WEIGHT -	SIZE A3	CAGE CODE 00779	DRAWING NO C-216164
2 PLC ± -		RESTRICTED TO -			
3 PLC ± -		CUSTOMER DRAWING			
4 PLC ± -		SCALE NTS			
ANGLES ± -		SHEET 1 OF 1			
FINISH -		REV A			