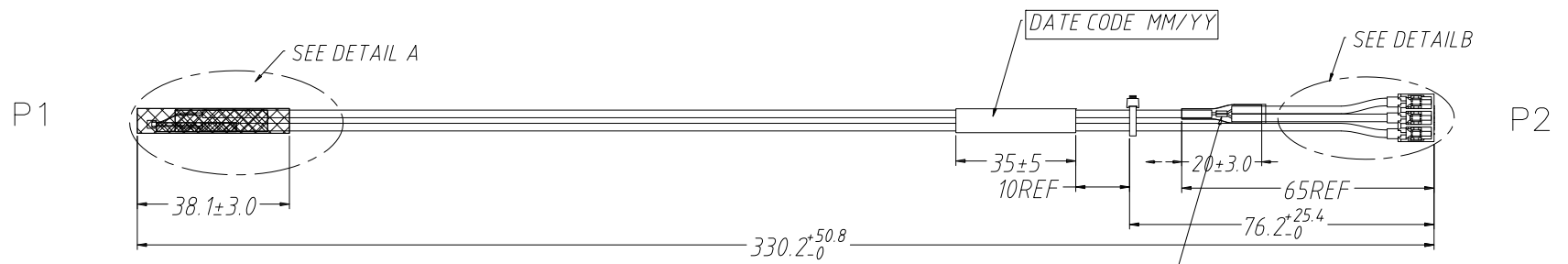
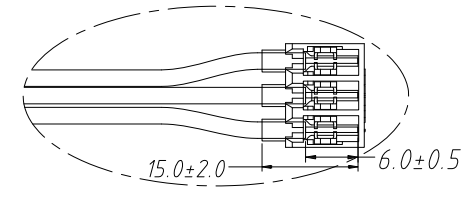
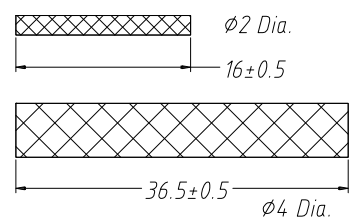
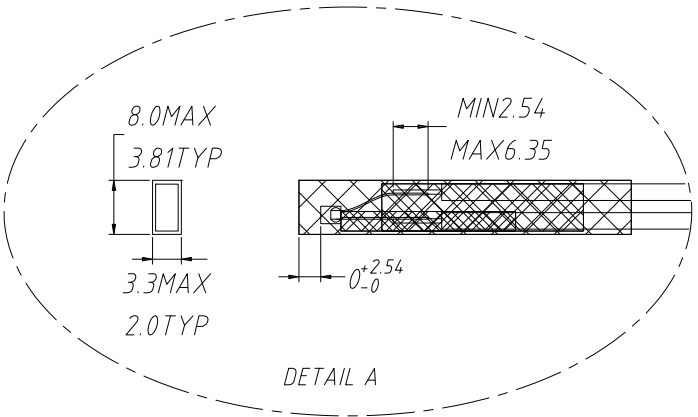


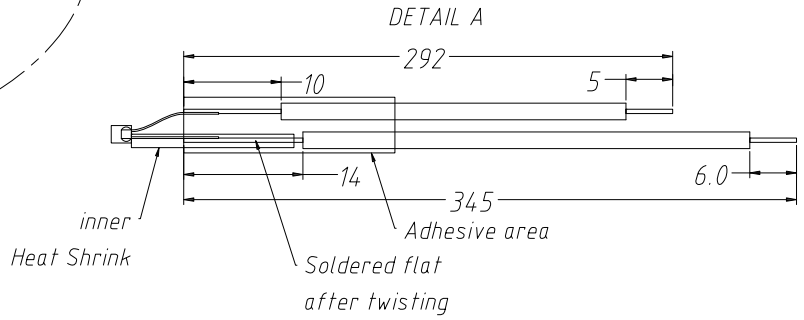
Rev	AWO #	Description	Date	Appr
-		RELEASED	12/9/22	
A		UPDATED DRAWING	3/24/23	SS



Copper strip size: 4.0x2.8x1.5 (LxWxH, TOLERANCE ±0.1)



Connection baked 50-60°C @10 min. then crimped



**SPECIFICATIONS:**

**Connector:**

P1= Temperature Sensor Chip, PT1000 Thin Film Resistor-Class A IST (Model: P1K0.232.6W.A.010)

P2 = 3 pos MTA156 conn, TE P/N: 3-640429-3.

**Wires:**

Electronic wire UL5561, #24AWG, nickel-plated multi-stranded copper, OD: 2.0, mica braided cover

**Electrical Test:**

All Assemblies must be 100% Tested for Shorts, Open, Continuity, and Physical Appearance.

**Environmental:**

Lead free, RoHS compliant



UNLESS OTHERWISE SPECIFIED ALL DIMENSIONS ARE MM. TOLERANCES: EXCEPT AS NOTED		
	MM	
.X	± 2.54	
.XX	± 0.508	
.XXX	± 0.381	
DRAWN	SS	12/9/22
CHECKED	SS	12/9/22
APPROVED		
THIS DRAWING CONTAINS INFORMATION THAT IS PROPRIETARY AND SHOULD NOT BE USED WITHOUT PRIOR WRITTEN PERMISSION FROM ADAM TECH		

**ADAM TECH**

909 Rahway Avenue,  
Union, NJ 07083  
Phone: 908-687-5000  
Fax: 908-687-5710

TITLE: **SENSOR CABLE ASSY, 3.96mm 3 POS CONN, TO RTD PT1000, TEMPERATURE SENSOR**

SIZE: X PART NO.: **CA-TS-001** REV.: **A**

REF: SCALE: NTS SHEET 1 OF 1