

6

5

4

3

2

1

APPROVED: _____

DATE: _____ TITLE: _____

Rev	AWO #	Description	Date	Appr
-		RELEASED	7/20/16	

D

D

C

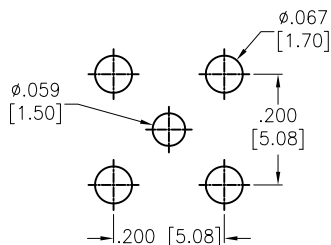
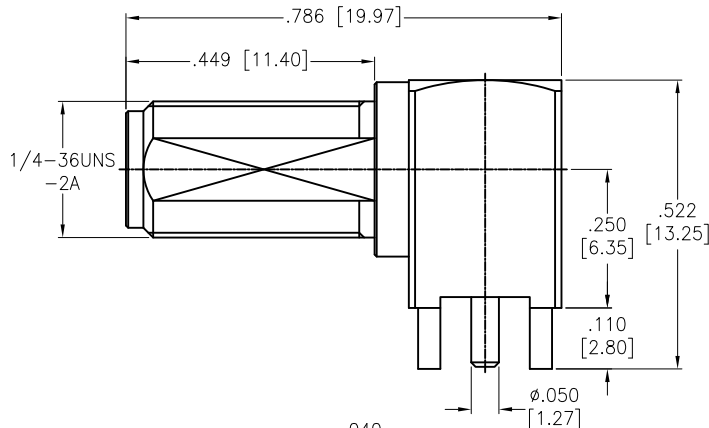
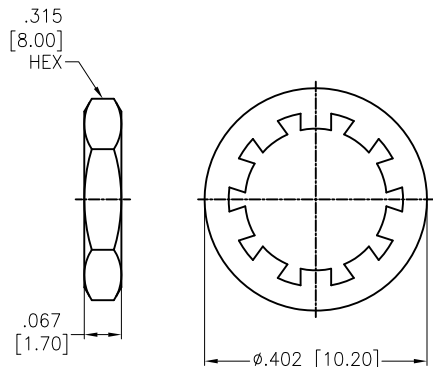
C

B

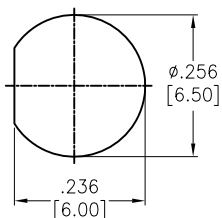
B

A

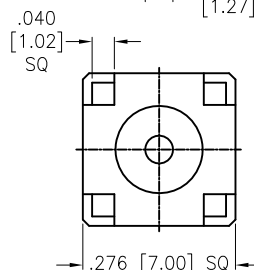
A



RECOMMENDED PCB LAYOUT



RECOMMENDED MOUNTING HOLE



HEX NUT	BRASS	GOLD
WASHER	S50C	GOLD
INSULATOR	PTFE	WHITE
HOUSING	BRASS	GOLD
CONTACT PIN	BRASS	GOLD
INSULATOR	PTFE	WHITE
BODY	BRASS	GOLD
DESCRIPTION	MATERIAL	FINISH

SPECIFICATIONS:

Electrical:
Frequency range: DC-6 GHz
Nominal Impedance: 50 Ohms
Working Voltage: 335 VOLTS max
Proof Voltage: 1000 VOLTS
Temperature Rating:
Operating temperature: -65°C to +165°C
Environmental:
Lead free, RoHS compliant.



MAX. PANEL THICKNESS=3.2mm

UNLESS OTHERWISE SPECIFIED ALL DIMENSIONS ARE INCHES [MM] TOLERANCES: EXCEPT AS NOTED		<h1>ADAM TECH</h1> <p>909 Rahway Avenue, Union, NJ 07083 Phone: 908-687-5000 Fax: 908-687-5710</p>	
INCHES HOLES			
.X ± .10	∅X ± .10	TITLE	
.XX ± .020	∅XX ± .015	RF CONNECTOR, SMA JACK R/A PCB MOUNT	
.XXX ± .015	∅XXX ± .010	SIZE	PART NO.
APPROVALS		REF: S00277T	
DRAWN	AY	DATE	7/20/16
CHECKED	SY	DATE	7/20/16
APPROVED		SCALE: NTS	SHEET 1 OF 1
		REV.	-
		RF2-49B-T-00-50-G-HDW	

6

5

4

3

2

1