

## Electronic housing - UMK- BE 22,5 - 2970028

Please be informed that the data shown in this PDF Document is generated from our Online Catalog. Please find the complete data in the user's documentation. Our General Terms of Use for Downloads are valid (<http://download.phoenixcontact.com>)

Electronic board base, plug-in module base element



The illustration shows a combination of versions UMK SE 11,25, UMK BE 11,25, - 22,5, -45 and UMK-FE

### Why buy this product

- The modules can be marked using the marking grooves in the lateral element as well as with the Phoenix Contact PMB module marker, which is snapped into a bore hole (4 mm Ø) in the PCB
- Fast assembly thanks to the plug-in module principle. The tight engagement of the individual elements ensures that they are securely connected.
- Wide range of options for external conductor connection
- Due to the universal foot, the modules can be snapped onto standard EN DIN rails
- The mounting flange supports direct wall mounting



### Key commercial data

Packing unit	1
Minimum order quantity	10
Catalog page	Page 648 (CC-2011)
GTIN	 4 017918 087555
Custom tariff number	85472000
Country of origin	POLAND

### Technical data

#### General

Housing type	Panel mounting base
Housing material	Polyamide
Color	green

#### Dimensions / positions

Length	77 mm
Width	22.5 mm

# Electronic housing - UMK- BE 22,5 - 2970028

## Technical data

### Technical data

Ambient temperature (operation)	-40 °C ... 105 °C
Inflammability class according to UL 94	V2

## Classifications

### eclass

eCl@ss 4.0	27180401
eCl@ss 4.1	27180401
eCl@ss 5.0	27180506
eCl@ss 5.1	27180506
eCl@ss 6.0	27180802
eCl@ss 7.0	27182701

### etim

ETIM 2.0	EC001031
ETIM 3.0	EC001031
ETIM 4.0	EC001031
ETIM 5.0	EC002779

### unspsc

UNSPSC 6.01	31261501
UNSPSC 7.0901	31261501
UNSPSC 11	31261501
UNSPSC 12.01	31261501
UNSPSC 13.2	31261501

## Approvals

### Approvals

---

Approvals

UL Recognized

---

Ex Approvals

---


Approvals submitted

---

Approval details

## Electronic housing - UMK- BE 22,5 - 2970028

### Approvals

UL Recognized 

### Accessories

Accessories

Assembly

Mounting flange - UMK-BF - 2976077



Mounting flange, for mounting directly on the wall

---

Electronic housing - UMK-BE 45 - 2970015



Electronic board base, plug-in module base element

---

Foot element - UMK-FE - 2970031



Foot element, for mounting on DIN rail NS 32 or DIN rail NS 35/7.5, can be inserted between base and side element

---

Electronic housing - UMK-BE 11,25 - 2971535



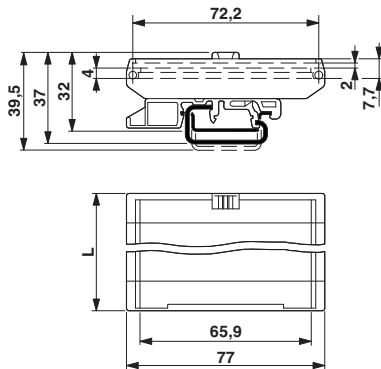
Electronic board base, plug-in module base element

---

### Drawings

## Electronic housing - UMK- BE 22,5 - 2970028

Dimensioned drawing



---

© Phoenix Contact 2012 - all rights reserved  
<http://www.phoenixcontact.com>