



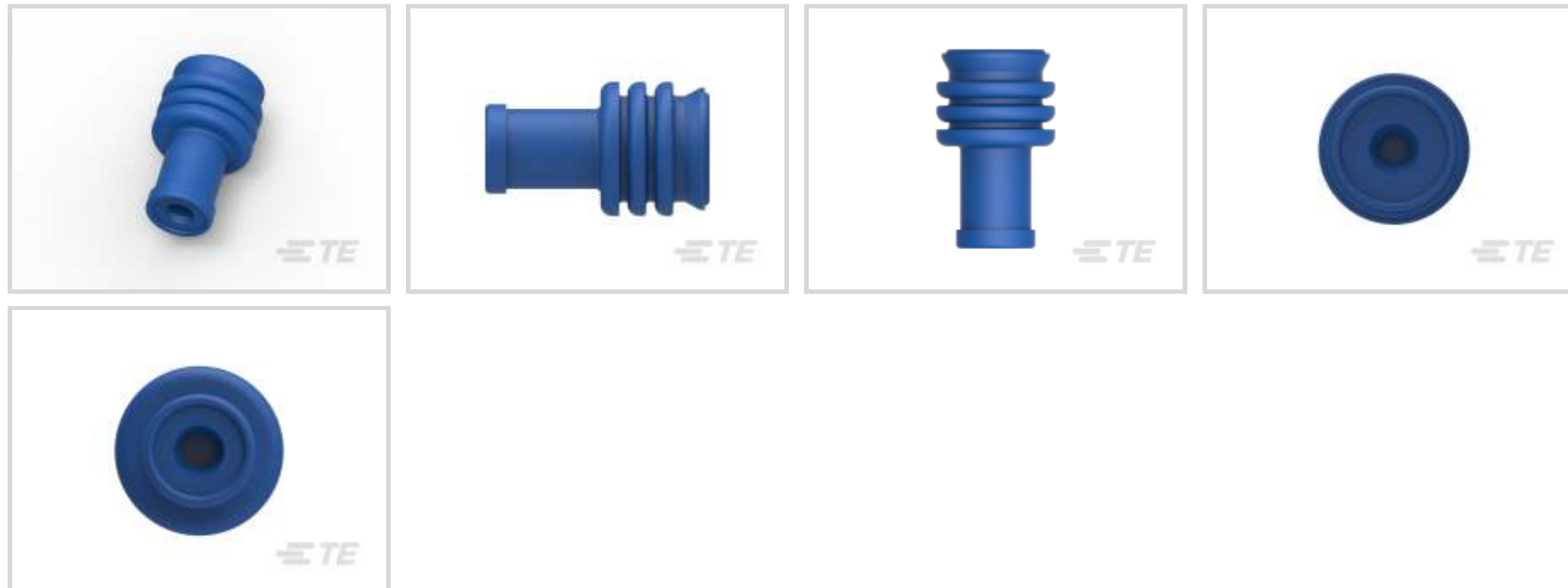
TE Internal #: 1393458-1

Single Wire Seal (SWS), Silicone, Blue, 5.4 mm [.213 in] Cavity

Diameter, .067 – .083 in [1.7 – 2.1 mm] Insulation Diameter

[View on TE.com >](#)

Connectors > Connector Accessories > Connector Seals & Cavity Plugs



Connector Seal & Plug Type: **Single Wire Seal (SWS)**

Primary Product Material: **Silicone**

Primary Product Color: **Blue**

Cavity Diameter: **5.4 mm [.213 in]**

Compatible Insulation Diameter Range: **1.7 – 2.1 mm [.067 – .083 in]**

## Features

### Product Type Features

Connector Seal & Plug Type	Single Wire Seal (SWS)
----------------------------	------------------------

### Body Features

Primary Product Material	Silicone
Primary Product Color	Blue

### Dimensions

Cavity Diameter	5.4 mm [.213 in]
Compatible Insulation Diameter Range	1.7 – 2.1 mm [.067 – .083 in]

### Usage Conditions

Operating Temperature (Max)	65 °C, 70 °C, 75 °C, 80 °C, 85 °C, 90 °C, 100 °C, 105 °C, 110 °C, 120 °C, 125 °C, 130 °C [149 °F][158 °F][167 °F][176 °F][185 °F][194 °F][212 °F][221 °F][230 °F][248 °F][257 °F][266 °F]
Operating Temperature Range	-40 – 130 °C [-40 – 266 °F]

### Industry Standards

UL Flammability Rating	None
------------------------	------



Other

Resistance to Hydrocarbons	Poor
Shore A Hardness	50
Contains Lubricant	Yes

Product Compliance

[For compliance documentation, visit the product page on TE.com>](#)

EU RoHS Directive 2011/65/EU	Compliant
EU ELV Directive 2000/53/EC	Compliant
China RoHS 2 Directive MIIT Order No 32, 2016	No Restricted Materials Above Threshold
EU REACH Regulation (EC) No. 1907/2006	Current ECHA Candidate List: JUNE 2023 (235) Candidate List Declared Against: JAN 2023 (233) Does not contain REACH SVHC
Halogen Content	Low Halogen - Br, Cl, F, I < 900 ppm per homogenous material. Also BFR/CFR/PVC Free
Solder Process Capability	Not applicable for solder process capability

Product Compliance Disclaimer

This information is provided based on reasonable inquiry of our suppliers and represents our current actual knowledge based on the information they provided. This information is subject to change. The part numbers that TE has identified as EU RoHS compliant have a maximum concentration of 0.1% by weight in homogenous materials for lead, hexavalent chromium, mercury, PBB, PBDE, DBP, BBP, DEHP, DIBP, and 0.01% for cadmium, or qualify for an exemption to these limits as defined in the Annexes of Directive 2011/65/EU (RoHS2). Finished electrical and electronic equipment products will be CE marked as required by Directive 2011/65/EU. Components may not be CE marked. Additionally, the part numbers that TE has identified as EU ELV compliant have a maximum concentration of 0.1% by weight in homogenous materials for lead, hexavalent chromium, and mercury, and 0.01% for cadmium, or qualify for an exemption to these limits as defined in the Annexes of Directive 2000/53/EC (ELV). Regarding the REACH Regulation, the information TE provides on SVHC in articles for this part number is based on the latest European Chemicals Agency (ECHA) 'Guidance on requirements for substances in articles' posted at this URL: <https://echa.europa.eu/guidance-documents/guidance-on-reach>

Customers Also Bought

TE Part #66100-8  
III+ SKT,18-16,15AU/FL,STRIP

TE Part #1-1586037-0  
10P VERT HDR VAL-U-LOK V2

TE Part #HD34-24-31PT-B019  
REC, 31P, AL, T, CUSTOM MOUNT, 16, P

TE Part #DTM06-12SC  
PLG, 12P, GRN, N, C



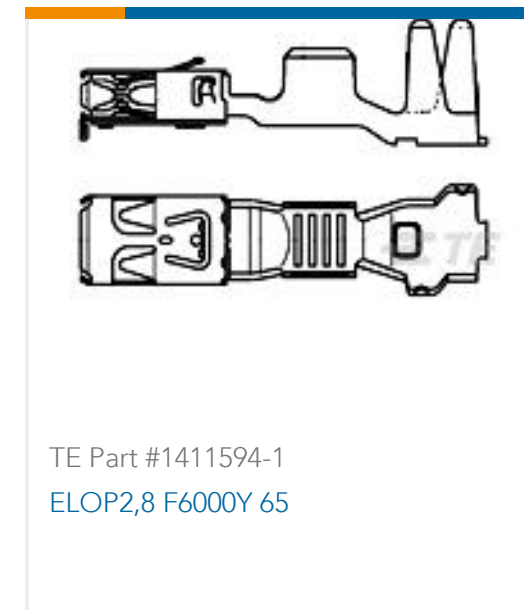
TE Part #1393450-5  
V23542C1052B300=KABELBAUMST 80



TE Part #1393436-4  
V23542C1028B300=KABELBAUMST. 8



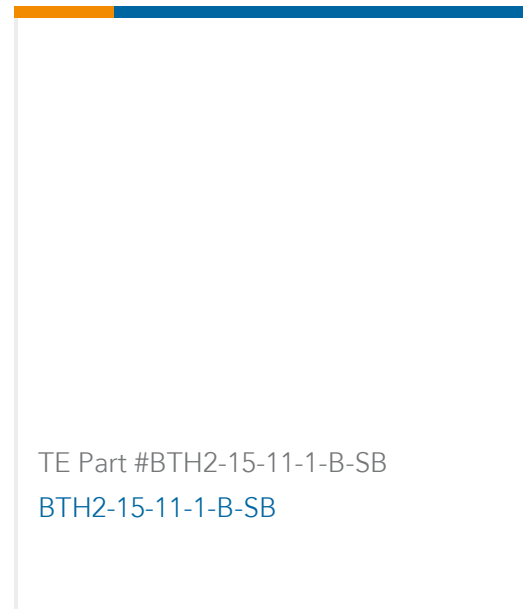
TE Part #1393454-5  
V23542C1028Z300=ABDECKK 28PDIC



TE Part #1411594-1  
ELOP2,8 F6000Y 65



TE Part #2377783-1  
36POS,AMP MCP 1.5K,TAB HSG ASSY,  
UNSLD



TE Part #BTH2-15-11-1-B-SB  
BTH2-15-11-1-B-SB

## Documents

### Product Drawings

[V23540M1000Z111=DICHTTULLE ELO](#)

English

### CAD Files

[3D PDF](#)

3D

Customer View Model

[ENG\\_CVM\\_CVM\\_1393458-1\\_A.2d\\_dxf.zip](#)

English

Customer View Model

[ENG\\_CVM\\_CVM\\_1393458-1\\_A.3d\\_igs.zip](#)

English

Customer View Model

[ENG\\_CVM\\_CVM\\_1393458-1\\_A.3d\\_stp.zip](#)

English

By downloading the CAD file I accept and agree to the [Terms and Conditions](#) of use.