

4

3

2

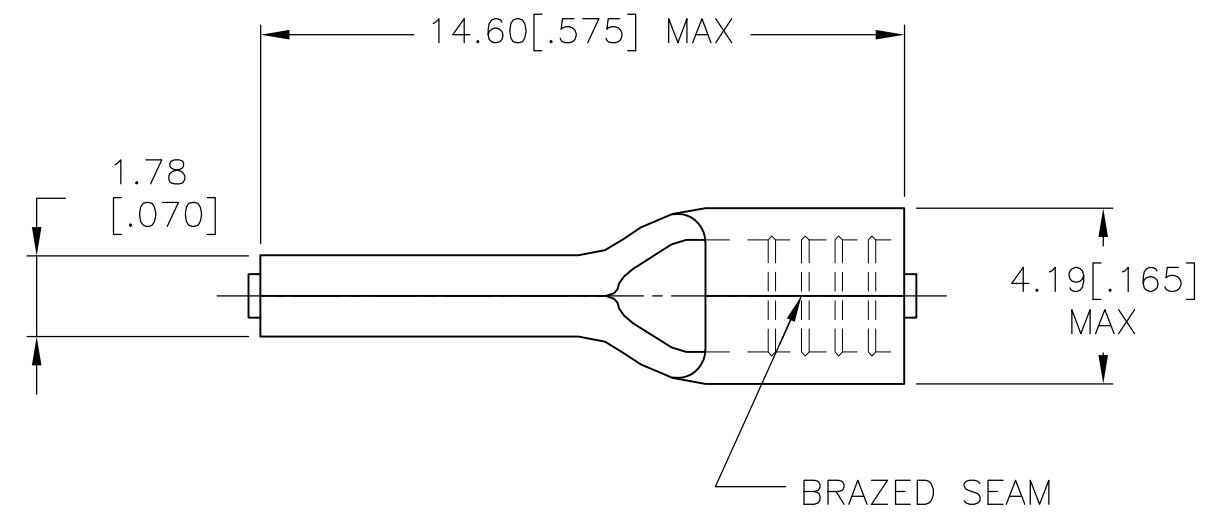
1

THIS DRAWING IS UNPUBLISHED. RELEASED FOR PUBLICATION
 © COPYRIGHT - By - ALL RIGHTS RESERVED.

LOC	DIST	REVISIONS					
		P	LTR	DESCRIPTION	DATE	DWN	APVD
G	86		E1	REVISED PER ECO-14-003208	13MAR2014	NK	DR

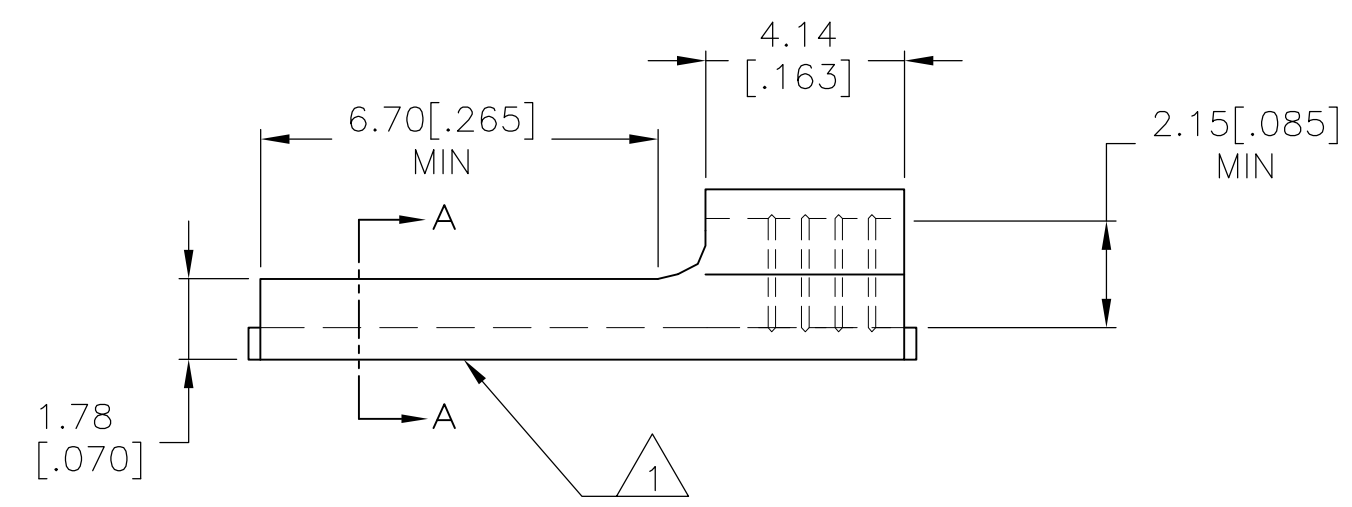
AMP
WIRE RANGE

16-14 AWG
SOLID OR STRANDED

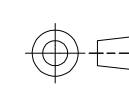


- 1 STAMP AMP 16-14* APPROX AS SHOWN
- 2 MAX RECOMMENDED OPERATING TEMPERATURE 170°C [338°F]

SECTION A-A



1000	LOOSE PIECE	165045
QTY	PACKAGE TYPE	PART NO

THIS DRAWING IS A CONTROLLED DOCUMENT.		DWN	JR RUTH	01JUN07	STE TE Connectivity					
DIMENSIONS: mm [INCHES]		CHK	M SPICER	01JUN07						
		APVD	M SPICER	01JUN07						
		PRODUCT SPEC		NAME		TERMINAL, WIRE PIN, SOLISTRAND, WIRE SIZE, 16-14 AWG				
MATERIAL COPPER PER ASTM B152		FINISH TIN PLATE PER ASTM B545		APPLICATION SPEC	RESTRICTED TO					
		WEIGHT	-		SIZE	CAGE CODE	DRAWING NO	RESTRICTED TO		
		CUSTOMER DRAWING			SCALE	6:1	SHEET	1 OF 1	REV	E1