

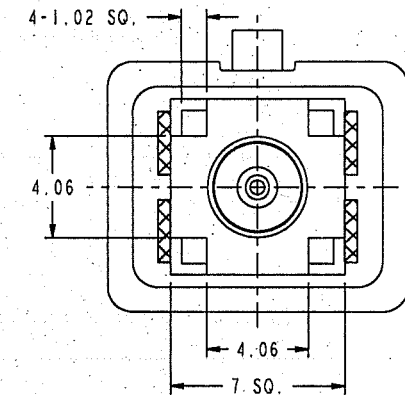
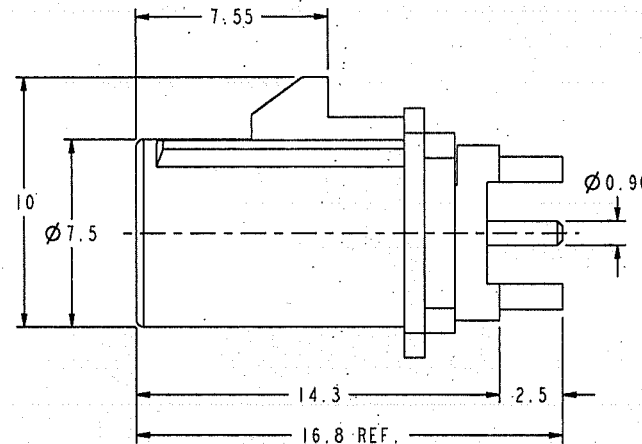
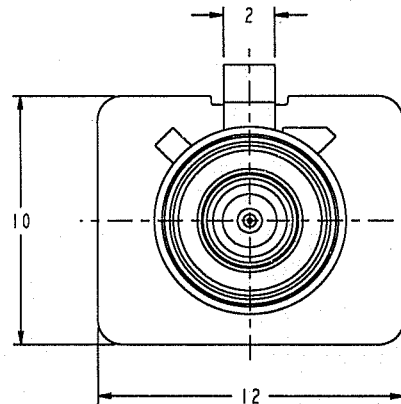
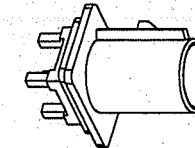
NOTES:

1. MATERIALS AND FINISHES (PLATING THICKNESS IN MICRO-INCHES):
 BODY - BRASS, GOLD PLATING
 CONTACT - BRASS, GOLD PLATING
 LOCK COVER - NYLON 46
 INSULATOR - PTFE, NATURAL
2. ELECTRICAL:
 A. IMPEDANCE: 50 OHM
 B. FREQUENCY RANGE: DC-4 GHz
 C. DIELECTRIC WITHSTANDING VOLTAGE: 800 VRMS, MIN.
3. MECHANICAL:
 A. DURABILITY: 100 CYCLES MIN.
 B. TEMPERATURE RANGE: -40° TO +85°

THIRD ANGLE PROJ.

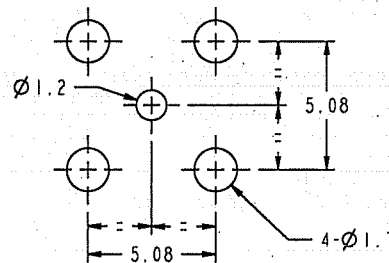
REVISIONS

REV	DESCRIPTION	DATE	ECO	APPR
B	SEE SHEET 1	01-Dec-05	----	AFSUM
C	SEE SHEET 1	23-Nov-07	----	EMILY
D	REDRAWN TO UPDATE FORMAT	23-Nov-07	----	



TABLE

KEY CODING	PART NO.	DRAWING NO.	COLOR	RAL NO.
A	FAI-NASP-PCB-2	FK1251AW-002-3GT30G-50	JET BLACK	9005
B	FAI-NBSP-PCB-2	FK1251BW-002-3GT30G-50	CREAM	9001
C	FAI-NCSP-PCB-2	FK1251CW-002-3GT30G-50	SIGNAL BLUE	5005
D	FAI-NDSP-PCB-2	FK1251DW-002-3GT30G-50	CLARET VIOLET	4004
E	FAI-NESP-PCB-2	FK1251EW-002-3GT30G-50	LEAF GREEN	6002
F	FAI-NFSP-PCB-2	FK1251FW-002-3GT30G-50	NUT BROWN	8011
G	FAI-NGSP-PCB-2	FK1251GW-002-3GT30G-50	BLUE GREY	7031
H	FAI-NHSP-PCB-2	FK1251HW-002-3GT30G-50	HEATHER VIOLET	4003
I	FAI-NISP-PCB-2	FK1251IW-002-3GT30G-50	BEIGE	1001
K	FAI-NKSP-PCB-2	FK1251KW-002-3GT30G-50	CURRY	1027
L	FAI-NLSP-PCB-2	FK1251LW-002-3GT30G-50	CARMINE RED	3002
M	FAI-NMSP-PCB-2	FK1251MW-002-3GT30G-50	PASTEL ORANGE	2003
N	FAI-NNSP-PCB-2	FK1251NW-002-3GT30G-50	PASTEL GREEN	6019
Z	FAI-NZSP-PCB-2	FK1251ZW-002-3GT30G-50	WATER BLUE	5021



PCB MOUNTING HOLE

CONFIGURATION CONTROL:
 NO CHANGES PERMITTED TO DRAWING WITHOUT
 PPAP QUALIFIED CUSTOMER APPROVAL

CUSTOMER OUTLINE DRAWING

ALL OTHER SHEETS ARE FOR INTERNAL USE ONLY

UNLESS OTHERWISE SPECIFIED, DIMENSIONS ARE IN METRIC AND TOLERANCES ARE:
 0.5 - 6mm ±0.1mm
 6 - 30mm ±0.2mm
 30 - 120mm ±0.3mm
 ANGLES ±1°

NOTICE - These drawings, specifications, or other data (1) are, and remain the property of Amphenol Corp. (2) must be returned upon request; and (3) are confidential and not to be disclosed to any person other than those to whom they are given by Amphenol Corp. The finishing of these drawings, specifications, or other data by Amphenol Corp., or to any other person to anyone for any purpose is not to be regarded by implication or otherwise in any manner licensing, granting rights to permitting such holder or any other person to manufacture, use or sell any product, process or design, patented or otherwise, that may in any way be related to or disclosed by said drawings, specifications, or other data.

MATERIAL	DRAWN EMILY	DATE 23-Nov-07	TITLE FAKRA PCB MOUNT PLUG		Amphenol RF Danbury CT USA, Tainan, Taiwan, Shenzhen, China www.amphenolrf.com
REFERENCE EAR 03152	ENGINEER JEERY	DATE 23-Nov-07	DRAWING NO. FK1251XX-002-3GT30G-50		
FINISH	APPROVED ANGELA	DATE 23-Nov-07	SCALE: 1.0:1.0	SHEET 2 OF 2	ITEM NO. FK1251ACX02GE5F
	CAD FILE		DWG SIZE B	CODE ID 74868	REV D
	1:FAKRA\FK1251XX-002-3GT30G-50				PART NO. FAI-NXSP-PCB-2