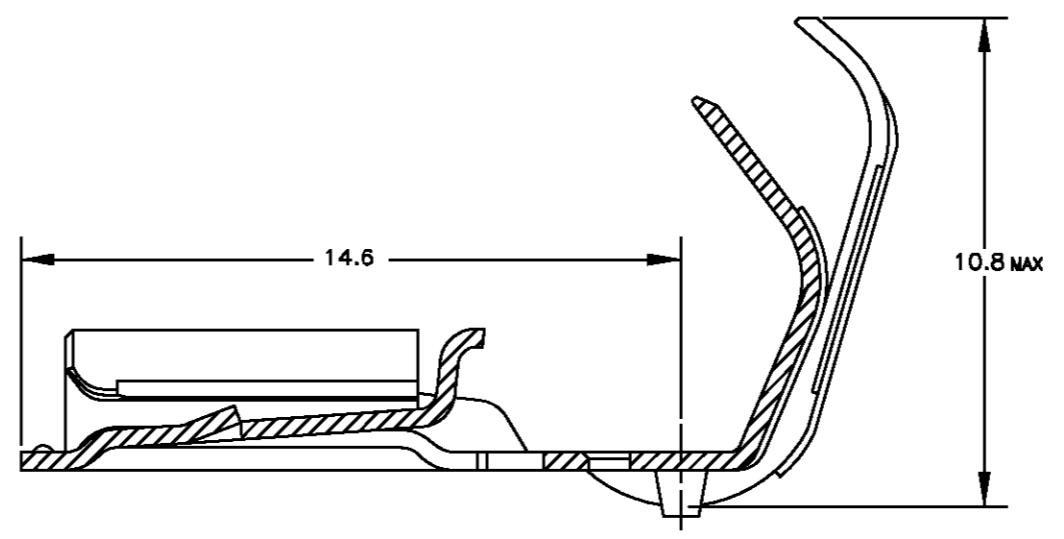
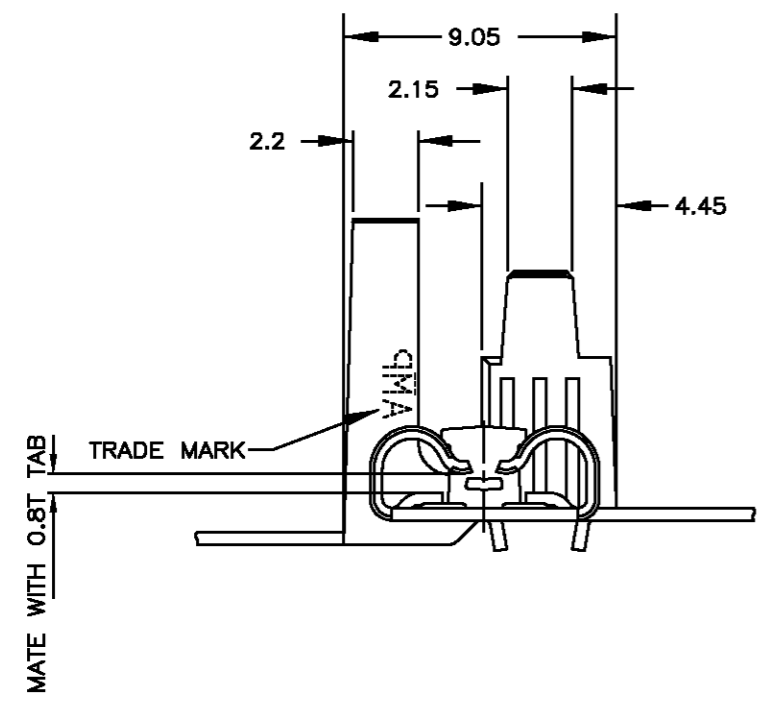
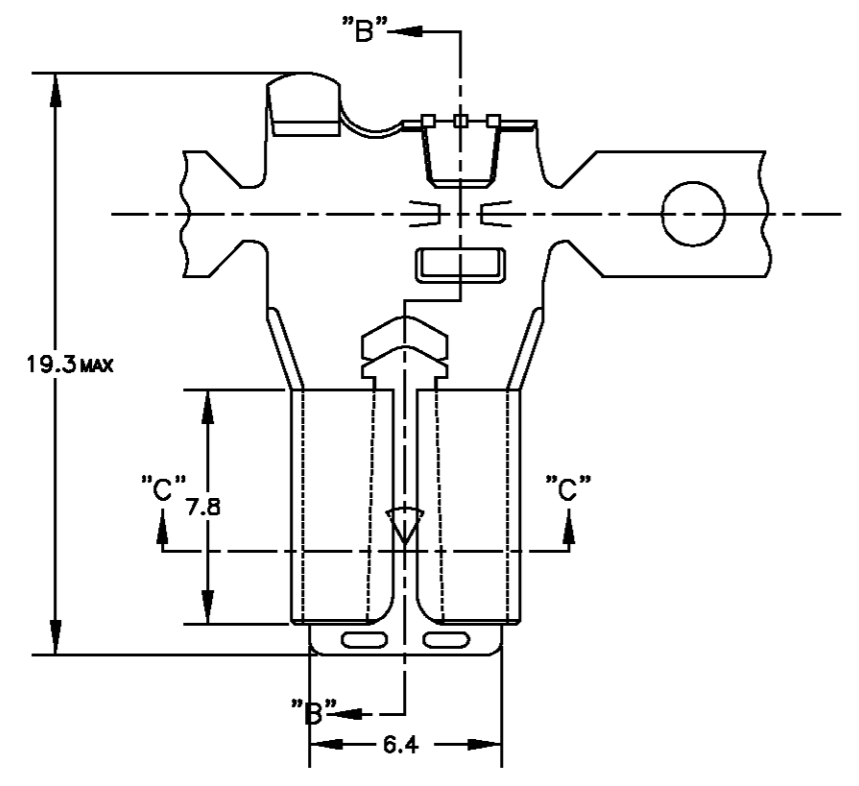


THIS DRAWING IS UNPUBLISHED. RELEASED FOR PUBLICATION

© COPYRIGHT BY TYCO ELECTRONICS CORPORATION. ALL RIGHTS RESERVED.

LOC	DIST	REVISIONS					
DS		P	LTR	DESCRIPTION	DATE	DWN	APVD
			0	RELEASED (FC00-0200-04)	AUG.25.'04	BH	CS



SECT "B"- "B"
SCALE 6-1

PRE-TIN BRASS 0.4t	1743221-1
MATERIAL	PART NUMBER
WIRE RANGE	INSULATION DIA
AWG#18~#12	2.8~4.1

<small>THIS DRAWING IS A CONTROLLED DOCUMENT FOR TYCO ELECTRONICS CORPORATION. IT IS SUBJECT TO CHANGE AND THE CONTROLLING ENGINEERING ORGANIZATION SHOULD BE CONTACTED FOR THE LATEST REVISION.</small>		DWN: BH CHD CHK: BW KANG		tyco AMP KOREA. Electronics kyungsan, korea	
DIMENSIONS: MM 3rd ANGLE PROJECTION		TOLERANCES UNLESS OTHERWISE SPECIFIED: 0 <XX<10 ± 0.2 10 <XX<30 ± 0.25 30 <XX ± 0.3 ANGLES ± 3°		NAME 250 SERIES FLAG POSITIVE LOCK EX RECEPTACLE	
MATERIAL SEE TABLE		FINISH WEIGHT		SIZE: A3 CAGE CODE: 00779 DRAWING NO: 1743221 RESTRICTED TO:	
				SCALE: 4/1 SHEET: 1 OF 1 REV: 0	