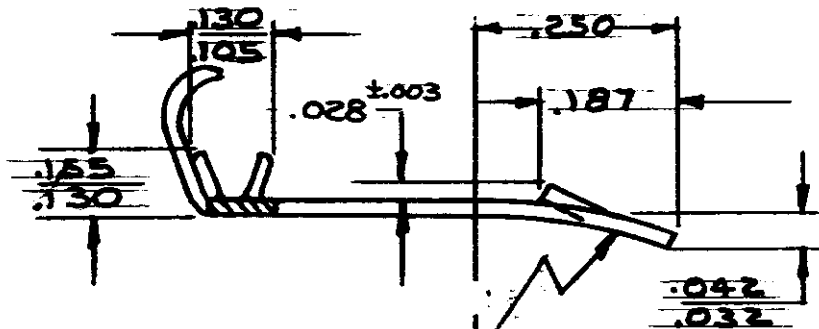
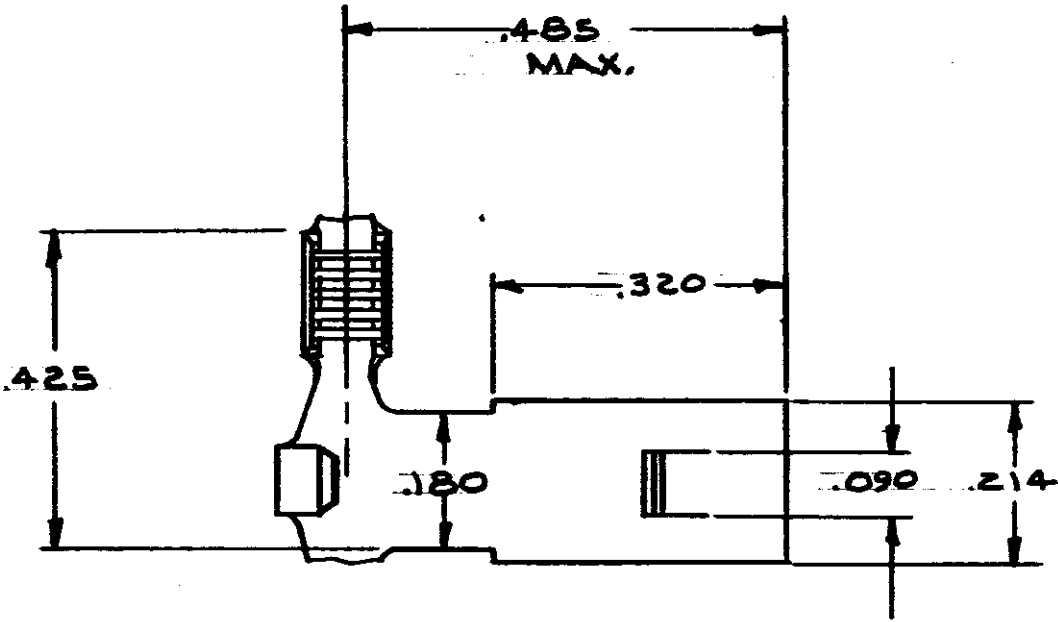


DRAWING MADE IN AMERICAN PROJECTION

NUMBER  
G2149



PART NUMBER	FINISH
G2149-1	NONE
<del>G2149-2</del>	<del>TIN</del>

1.000 E REF

CONTINUOUS STRIP ON REELS

DIMENSIONS IN INCHES. DO NOT SCALE PRINT.

Unpublished copy not to be used without written permission

RESERVED. ALL RIGHTS RESERVED. COVERED BY PATENTS AND/OR PATENTS PENDING

CUSTOMER COPY REFERENCE ONLY

MATERIAL AND FINISH  
O18 PHOS.  
BRONZE  
NONE



AMP INCORPORATED  
HARRISBURG, PENNA.

WIRE RANGE INSULATION TYPE  
100-2400 095-.115

CLASS

TYPE

TOLERANCE EXCEPT AS NOTED  
± .015 ± 1' 0"

SCALE

LOG

NO

REV

TR	REVISION RECORD	ECN	DATE
A	REVISED LANCE HEIGHT	2478	8-7-73
B	ADDED -2 TTI	55	8-5-74
C	REVISED STOCK	35	8-5-74
D	RELEASED P.A.R.	81	7-8-74
E	OBSOLETED -2	1676	5-21-74

NAME  
AMPLIVAR BRUSH CONTACT