



8 Port 2X4 RJ45 Connector with No Magnetics

AR24NM-4670



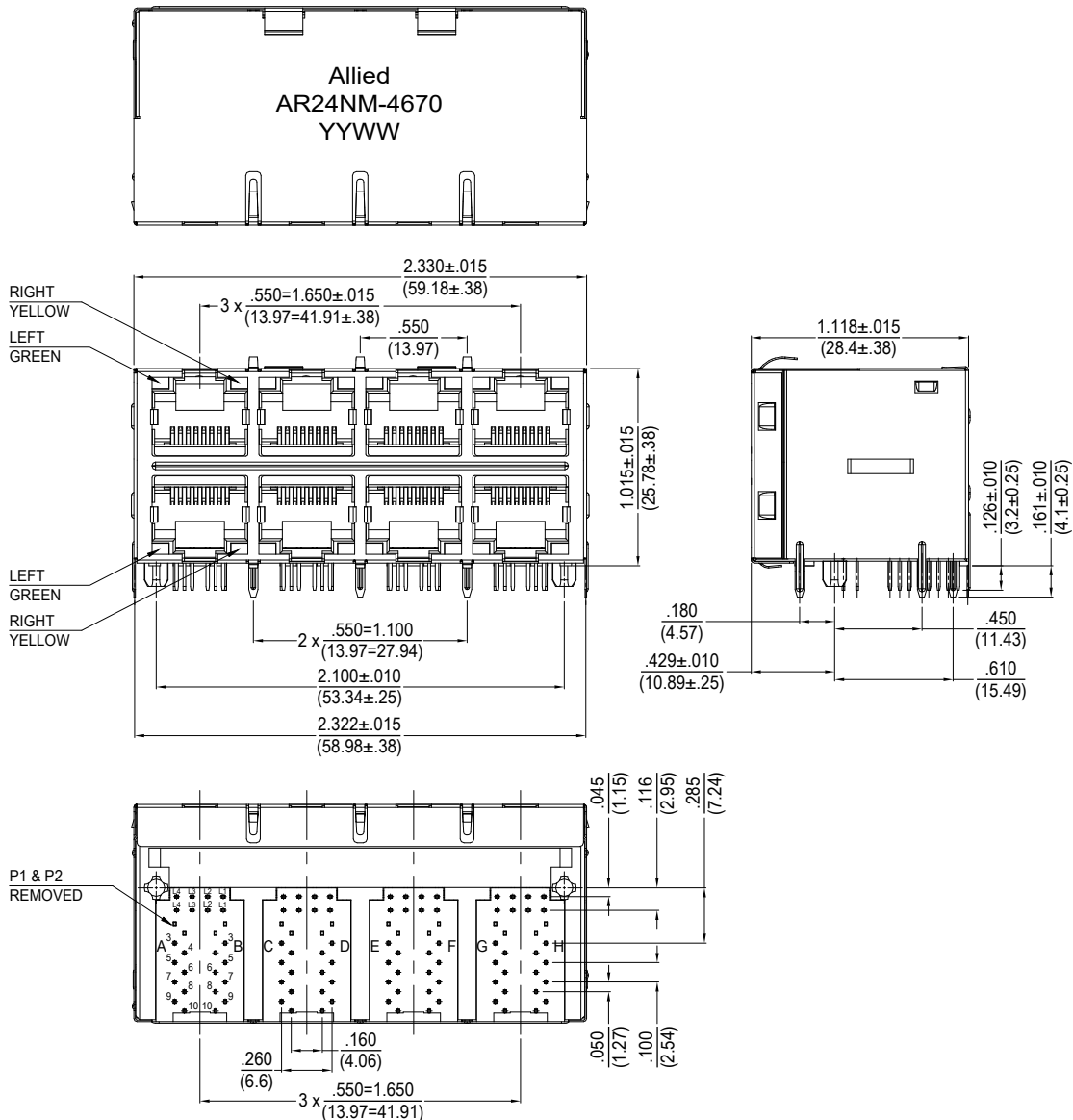
- Standard Operating Temp: 0°C to +70°C
- Storage Temp: -40°C to +85°C

Electrical Specifications @ 25°C				
Voltage Rating (VAC)	Current Rating (Amp)	Contact Resistance (mΩ)	Insulation Resistance @ 500VDC (MΩ)	Dielectric Withstanding Voltage 60Hz / 60 Sec
150	1.5 Max	30 Max	500 Min	500 VAC

All specifications subject to change without notice.

MECHANICAL

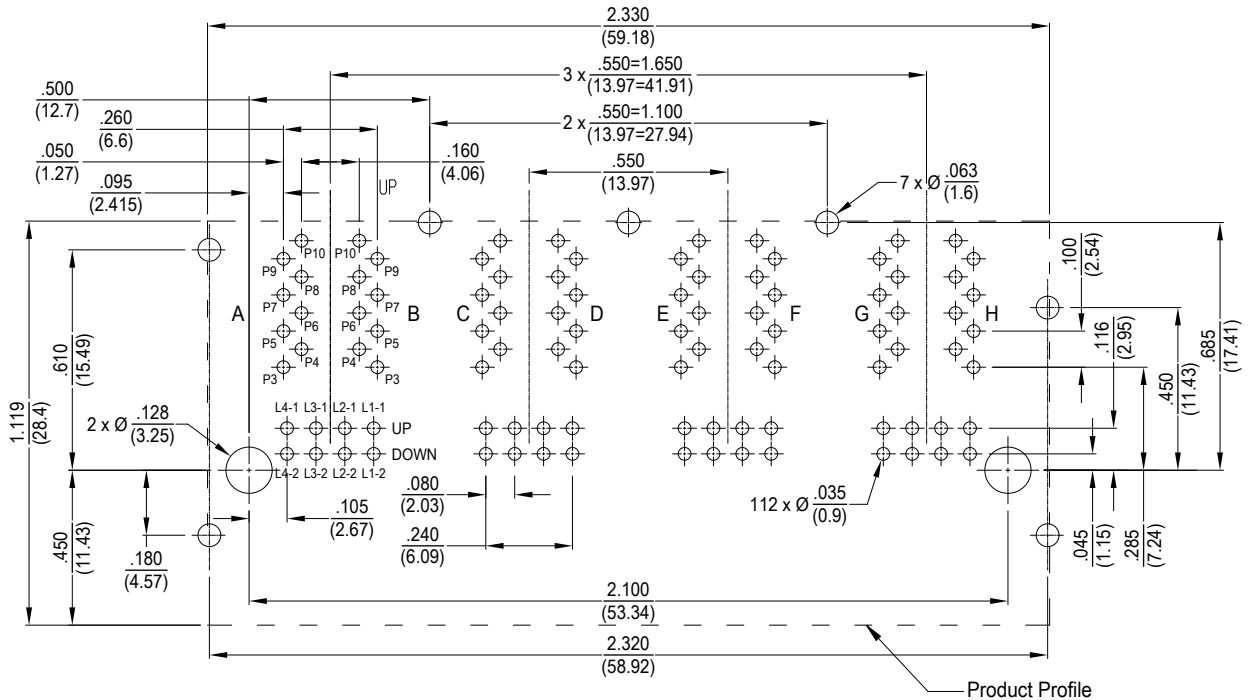
Dimensions: $\frac{\text{inch}}{\text{(mm)}}$





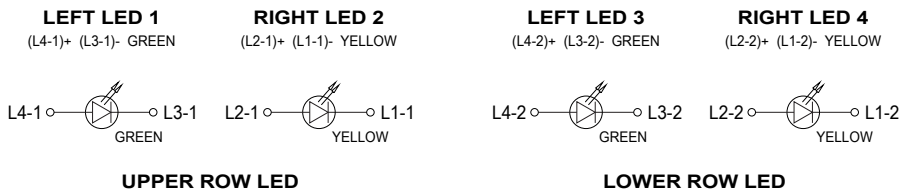
PCB LAYOUT

Dimensions: $\frac{\text{inch}}{\text{mm}}$



LEDs

Tolerance $\pm .002(0.05\text{mm})$ T=.063(1.6mm)



Standard LED	Wavelength	Forward Voltage
Green	565nm	2.6V Max
Yellow	585nm	2.6V Max

NOTES

Connector Materials:

Front Shield: Stainless T=0.2mm, unplated

Back Shield: Stainless T=0.2mm, 20 μ " min Nickel Plating

Housing: High Temperature Thermoplastic, UL94V-0, Black Color

Contact Pin: Thermoplastic UL94V-0, Black Color

Pin: Phosphor Bronze, T=0.3mm

Plating: Nickel 30 μ " min for all and Sn, and Gold plating 30 μ "

Insert Pin: Thermoplastic UL94V-0, Black Color

Pin: Brass T=0.35mm

Plating: Sn over 30 μ " min Nickel