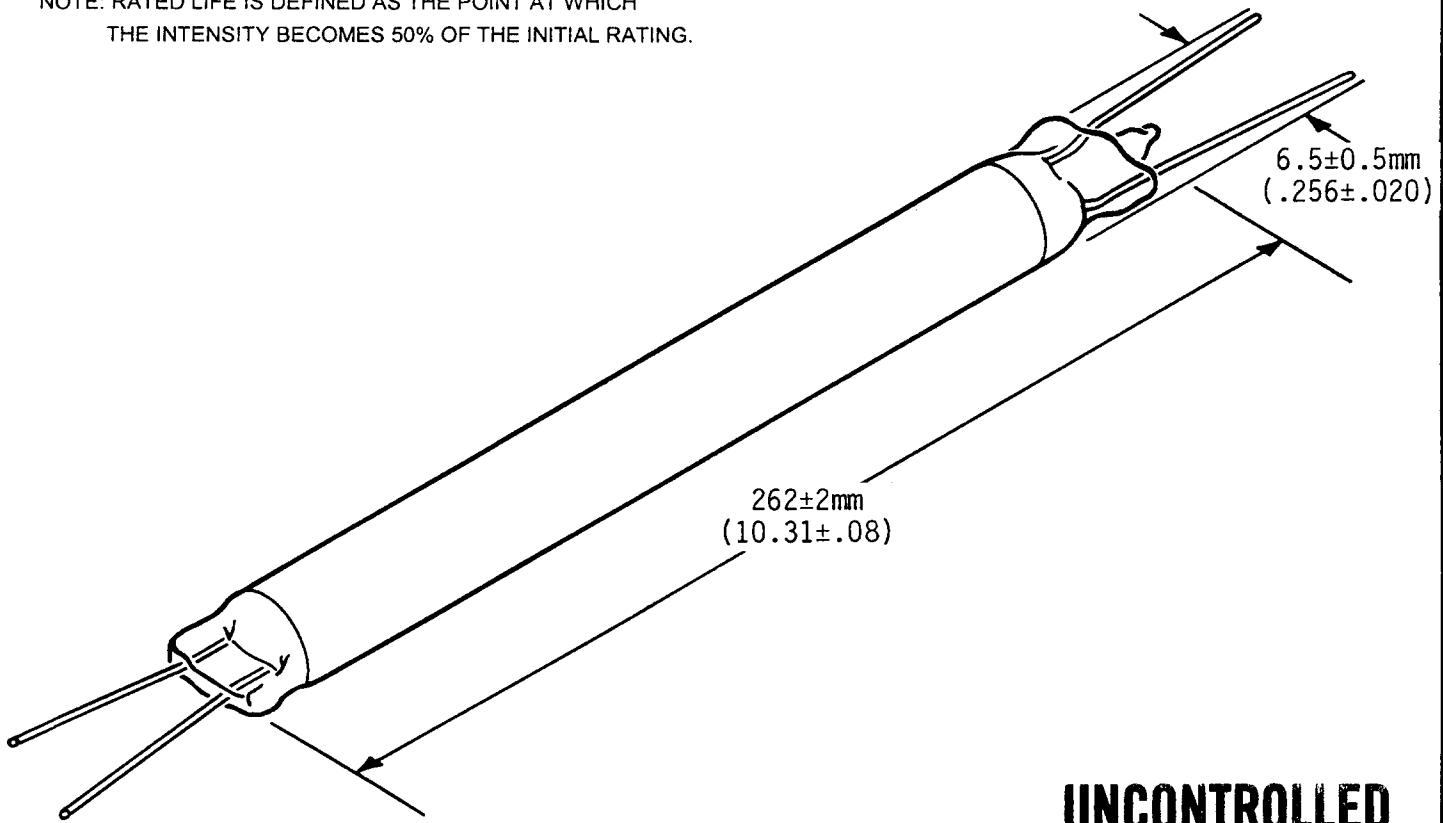


REV.	DESCRIPTION / ECO NO.	DATE
	RELEASED	10/90
1	40A BRIGHTNESS 3500 TO 2500	1/91
B	ADD BF6262-30A	8/3/99

JKL PART NUMBER	COLOR	STARTING CIRCUIT VOLTAGE VS (Vrms)	OPERATING LAMP CURRENT IL (mAmps)	OPERATING LAMP VOLTAGE VL (Vrms)	BRIGHTNESS (CANDELA/m2)	*RATED LIFE HOURS
BF6262-01A	WARM WHITE	850	5 +/- 1	350	2500	20,000
BF6262-10A	RED	850	5 +/- 1	350	500	20,000
BF6262-11A	GREEN	850	5 +/- 1	350	3000	20,000
BF6262-12A	BLUE	850	5 +/- 1	350	1000	20,000
BF6262-13A	ORANGE	850	5 +/- 1	350	1500	20,000
BF6262-14A	YELLOW	850	5 +/- 1	350	1500	20,000
BF6262-20A	LCD HIGH OUTPUT WHITE	850	5 +/- 1	350	3500	20,000
BF6262-30A	WHITE	850	5 +/- 1	350	3000	20,000
BF6262-40A	COOL WHITE	850	5 +/- 1	350	2500	20,000

NOTE: RATED LIFE IS DEFINED AS THE POINT AT WHICH THE INTENSITY BECOMES 50% OF THE INITIAL RATING.



UNCONTROLLED COPY

TITLE DUAL LEAD TIP TYPE MINIATURE FLUORESCENT		DRAWING NUMBER BF6262A		REVISION B
JKL COMPONENTS CORPORATION 13343 Paxton Street Pacoima, CA 91331 (818) 896-0019	RELEASE DATE 8/3/99	DRAWN BY LEN	APPROVED BY	
	SIZE A	FSCM 55335	SCALE NONE	PAGE 1 OF 1