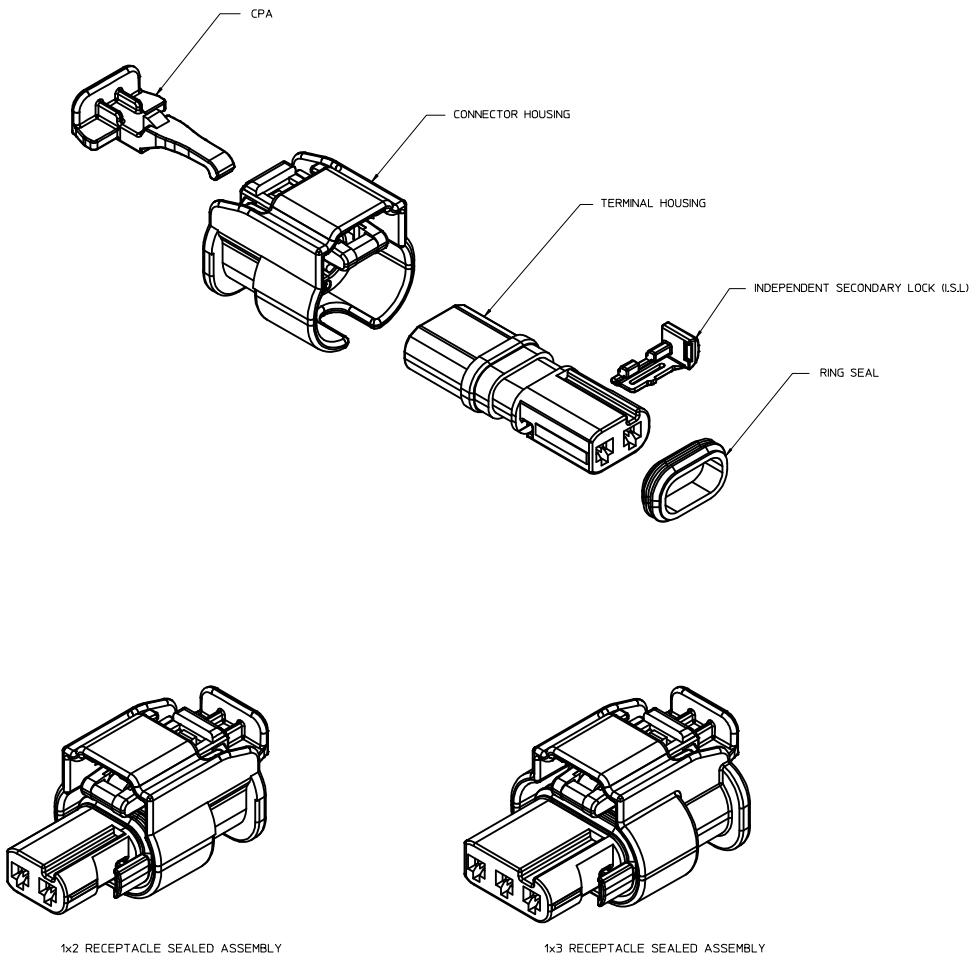


TABLE OF CONTENTS

SHEET NO.	SHEET DESCRIPTION
1	NOTES
2	1x2 RECEPTACLE SEALED ASSEMBLY KEYING CONFIGURATIONS
3	1x3 RECEPTACLE SEALED ASSEMBLY KEYING CONFIGURATIONS
4	RECEPTACLE SEALED ASSEMBLY
5	1x2 RECEPTACLE SEALED ASSEMBLY BOM SHEET 1
6	1x3 RECEPTACLE SEALED ASSEMBLY BOM SHEET 1



NOTES: VALID UNLESS OTHERWISE SPECIFIED

1. GENERAL:
a. APPLICATION SPECIFICATION SEE: AS-34900-0001
 CONTAINS: PRODUCT INTRODUCTION, PRODUCT SUMMARY, CONNECTOR ASSEMBLY, PACKAGING INFORMATION, CONNECTOR MATING, SERVICE INSTRUCTIONS, ELECTRICAL CONTINUITY CHECKING, CRIMPING, AND TROUBLESHOOTING.
b. PRODUCT SPECIFICATION SEE: PS-34900-0001
 CONTAINS: PRODUCT INTRODUCTION, PRODUCT SUMMARY, RATINGS (CURRENT, TEMPERATURE, SEALING, AND FLAMMABILITY), AND PRODUCT VALIDATION.
c. PACKAGING SPECIFICATION PER MOLEX DRAWING: PK-31301-898
d. PARTS MUST BE IN COMPLIANCE TO MOLEX CHEMICAL SUBSTANCES FOR PRODUCTS AND PACKAGING SPECIFICATION: ES-40000-5016
e. DATA MUST BE SUBMITTED UNDER THE MOLEX PART NUMBER TO IMDS (COMPANY ID#13255)
f. DESIGNED TO MATE WITH DEVICE CONNECTION AS SPECIFIED IN BOM CHART. USCAR DRAWINGS AND MODELS ARE AVAILABLE AT <http://ewcapuscarteams.org/>.

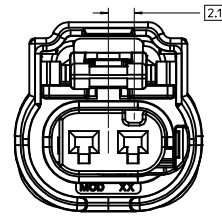
2. DESIGN - MATERIALS:
a. SEE BOM TABLE

3. DESIGN - GEOMETRY:
a. THIS IS A 100% CAD GENERATED PART. THE CAD MATHEMATICAL DATA IS THE MASTER FOR THIS PART. FOR DIMENSIONAL OR ANY INFORMATION NOT SHOWN ON THIS DRAWING, ANALYZE THE CAD MODEL.
b. GEOMETRIC DIMENSIONS AND TOLERANCES PER ASME Y14.5M - 1994
c. EDGES AND UNDIMENSIONED DETAILS PER ISO13715
d. CORNERS SHOWN AS SHARP TO BE R 0.2 MAX.
e. LETTERING SHALL BE 0.15 MAX RAISED IN 0.25 MAX RECESS PAD. THIS INCLUDES RECYCLING CODE, CAVITY ID, VENDOR IDENTIFICATION, AND CUSTOMER MATERIAL NUMBER.
f. VISUAL DEFECTS SHALL MEET COSMETIC STANDARD PS-45499-002 (Class B)
g. LASER MARKING:
 1. PART NUMBER
 2. DAY OF THE YEAR
 3. SHIFT
 4. YEAR

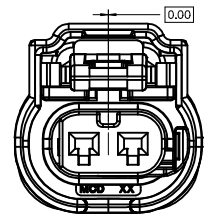
REV	DESCRIPTION
A9	1X2 AND 1X3 PART # STATUS UPDATED DIMENSION 2 UPDATED
A8	1X2 PART # UPDATED TO "TOOLED BUT NOT VALIDATED"
A7	1X2 PART # UPDATED TO "TOOLED BUT NOT VALIDATED"
A6	ADDED NEW PART NUMBERS FOR LATCH IMPROVEMENT
A5	BOM CORRECTIONS AND UPDATES
A4	BOM CORRECTIONS AND UPDATES
A3	1x2, 1x3 NON-SIR OK TO TOOL
A2	MINOR BOM CORRECTIONS
A1	ADDED COMPONENTS TO BOM
A	ADDED BLACK PART NUMBERS AND MINOR BOM UPDATES
3	ADDED 1x3
2	MINOR BOM CORRECTIONS
1	INITIAL RELEASE

ENTER DESCRIPTION IEC NO: UAU2015-1604 DRAWN BY: SHINANOI 2015/04/24 CHKD: APPR: IKOSHIY DESCRIPTION: 2015/04/29 REV: A9	QUALITY SYMBOLS ∇=0 ∇=0 ∇=0	GENERAL TOLERANCES (UNLESS SPECIFIED) <table border="1"> <thead> <tr> <th></th> <th>mm</th> <th>INCH</th> </tr> </thead> <tbody> <tr> <td>4 PLACES</td> <td>±.005</td> <td>±.0004</td> </tr> <tr> <td>3 PLACES</td> <td>±.010</td> <td>±.0004</td> </tr> <tr> <td>2 PLACES</td> <td>±.020</td> <td>±.0008</td> </tr> <tr> <td>1 PLACE</td> <td>±.050</td> <td>±.0020</td> </tr> <tr> <td>0 PLACE</td> <td>±.125</td> <td>±.0050</td> </tr> </tbody> </table> ANGULAR ± 3 ° DRAFT WHERE APPLICABLE MUST REMAIN WITHIN DIMENSIONS		mm	INCH	4 PLACES	±.005	±.0004	3 PLACES	±.010	±.0004	2 PLACES	±.020	±.0008	1 PLACE	±.050	±.0020	0 PLACE	±.125	±.0050	DIMENSION STYLE MM ONLY DRAWN BY: MYANSLAMBROU DATE: 2012/02/15 CHECKED BY: DATE: APPROVED BY: GGA DATE: 2012/12/13 MATERIAL NO: SEE TABLE	SCALE: 4:1 DESIGN UNITS: METRIC THIRD ANGLE PROJECTION TITLE: 12MM 1X2, 1X3 RECP. SEALED ASSEMBLY CABLE SEAL molex DOCUMENT NO: SD-34900-0001 SHEET NO: 1 OF 6
		mm	INCH																			
	4 PLACES	±.005	±.0004																			
	3 PLACES	±.010	±.0004																			
2 PLACES	±.020	±.0008																				
1 PLACE	±.050	±.0020																				
0 PLACE	±.125	±.0050																				
THIS DRAWING CONTAINS INFORMATION THAT IS PROPRIETARY TO MOLEX INCORPORATED AND SHOULD NOT BE USED WITHOUT WRITTEN PERMISSION																						
SIZE: D																						
REV: A9																						

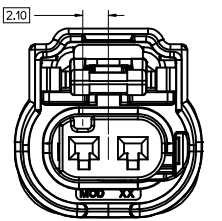
1x2 RECEPTACLE SEALED ASSEMBLY KEYING CONFIGURATIONS. FOR PART NUMBERS REFER TO BOM SHEET.



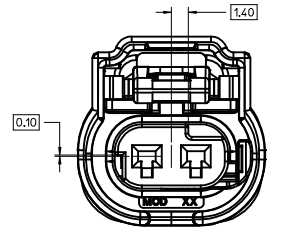
KEYING OPTION A



KEYING OPTION B



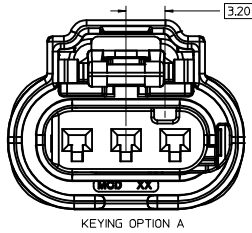
KEYING OPTION C



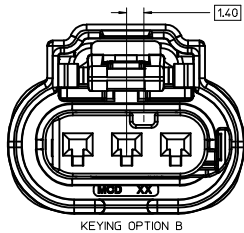
KEYING OPTION E

ENTER DESCRIPTION IEC NO. UAU2015-1604 DRAWN BY SHANU1 2015/01/24 CHKD: APPR:VKOSHY 2015/01/29	QUALITY SYMBOLS ▽=0 ▽=0 ▽=0	GENERAL TOLERANCES (UNLESS SPECIFIED)		DIMENSION STYLE MM ONLY	SCALE 5:1	DESIGN UNITS METRIC	THIRD ANGLE PROJECTION
		4 PLACES ± --- ± --- 3 PLACES ± --- ± --- 2 PLACES ± 0.10 ± --- 1 PLACE ± 0.20 ± --- 0 PLACE ± 0.50 ±	mm INCH	DRAWN BY DATE MYANSLAMBROU 2012/02/15	CHECKED BY DATE	TITLE 12MM 1X2. 1X3 RECPT. SEALED ASSEMBLY CABLE SEAL	
DRAFT WHERE APPLICABLE MUST REMAIN WITHIN DIMENSIONS		ANGULAR ± 3 °		MATERIAL NO. SEE BOM		DOCUMENT NO. SD-34900-2001	
SIZE D		THIS DRAWING CONTAINS INFORMATION THAT IS PROPRIETARY TO MOLEX INCORPORATED AND SHOULD NOT BE USED WITHOUT WRITTEN PERMISSION					

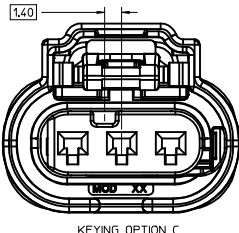
1x3 RECEPTACLE SEALED ASSEMBLY KEYING CONFIGURATIONS. FOR PART NUMBERS REFER TO BOM SHEET.



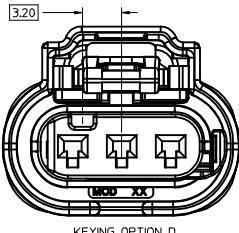
KEYING OPTION A



KEYING OPTION B



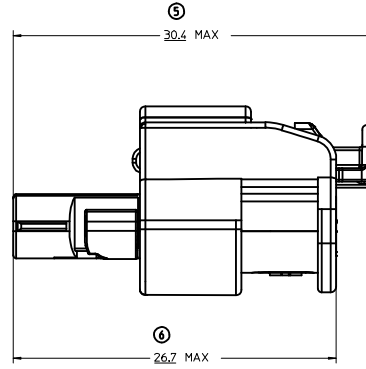
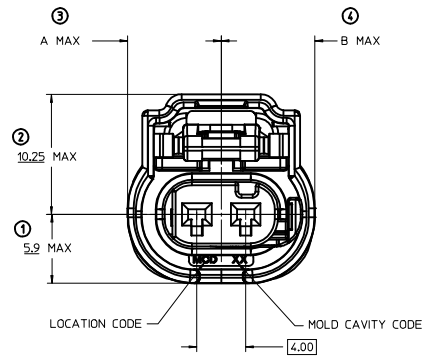
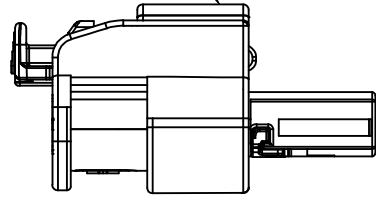
KEYING OPTION C



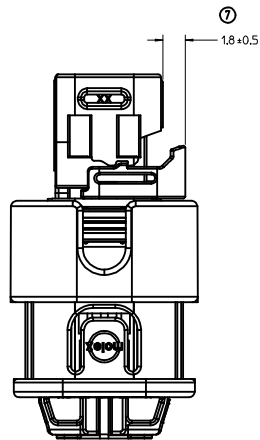
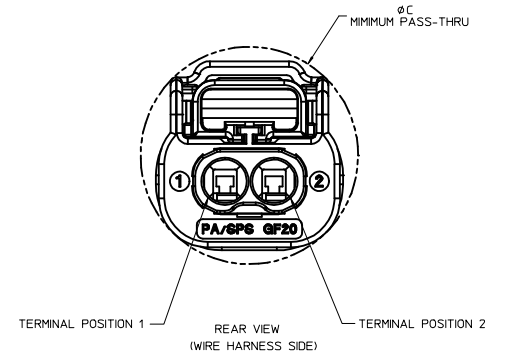
KEYING OPTION D

ENTER DESCRIPTION IEC NO: UAU2015-1604 DRAWN BY SHANU1 2015/01/24 CHKD: APPR:VKOSHY 2015/01/29 REV:	QUALITY SYMBOLS	GENERAL TOLERANCES (UNLESS SPECIFIED)		DIMENSION STYLE	SCALE	DESIGN UNITS	THIRD ANGLE PROJECTION
	$\nabla=0$	mm	INCH	MM ONLY	5:1	METRIC	
	$\nabla=0$	4 PLACES \pm ---	\pm ---	DRAWN BY	DATE	TITLE	
	$\nabla=0$	3 PLACES \pm ---	\pm ---	MYANSLAMBROU	2012/02/15	12MM 1X2, 1X3 RECPT. SEALED ASSEMBLY CABLE SEAL	
$\nabla=0$	2 PLACES \pm 0.10	\pm ---	CHECKED BY	DATE	DOCUMENT NO.		SHEET NO.
	1 PLACE \pm 0.20	\pm ---	APPROVED BY	DATE	SD-34900-2001		3 OF 6
	0 PLACE \pm 0.50	\pm	GGA	2012/12/13	SEE BOM		
	ANGULAR \pm 3°		MATERIAL NO.		THIS DRAWING CONTAINS INFORMATION THAT IS PROPRIETARY TO MOLEX INCORPORATED AND SHOULD NOT BE USED WITHOUT WRITTEN PERMISSION		
	DRAFT WHERE APPLICABLE MUST REMAIN WITHIN DIMENSIONS		SIZE				
				D			

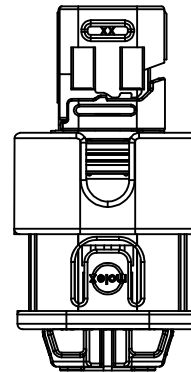
LASER MARKING ON THIS SURFACE SEE NOTE 3g



RECEPTACLE SEALED ASSEMBLY



INDEPENDENT SECONDARY LOCK (ISL)
SHOWN IN THE PRE-STAGED POSITION



INDEPENDENT SECONDARY LOCK (ISL)
SHOWN IN THE FINAL-LOCK POSITION

1x3 RECEPTACLE SEALED ASSEMBLY	10.0	10.0	20.75
1x2 RECEPTACLE SEALED ASSEMBLY	8.0	8.0	18.75
CONFIGURATION	A	B	C
CHARTED DIMENSIONS			

ENTER DESCRIPTION IEC NO: UAU2015-1604 DRAWN BY SHINANOI 2015/04/24 CHKD: APPR: IKOSHIY 2015/04/29	QUALITY SYMBOLS	GENERAL TOLERANCES (UNLESS SPECIFIED)	DIMENSION STYLE	SCALE	DESIGN UNITS	THIRD ANGLE PROJECTION
	▽=0	mm INCH	MM ONLY	5:1	METRIC	☉
	▽=0	4 PLACES ± --- ± ---	DRAWN BY DATE			
	▽=0	3 PLACES ± 0.10 ± ---	MYANSLAMBROU 2012/02/15			
		2 PLACES ± 0.20 ± ---	CHECKED BY DATE			
		1 PLACE ± 0.50 ± ---	APPROVED BY DATE			
		0 PLACE ± 0.50 ± ---	GGA 2012/12/13			
		ANGULAR ± 3 °	MATERIAL NO.			
		DRAFT WHERE APPLICABLE MUST REMAIN WITHIN DIMENSIONS	SEE BOM			
			SIZE D			
			THIS DRAWING CONTAINS INFORMATION THAT IS PROPRIETARY TO MOLEX INCORPORATED AND SHOULD NOT BE USED WITHOUT WRITTEN PERMISSION			
					DOCUMENT NO.	SHEET NO.
					SD-34900-2001	4 OF 6

1X2 RECEPTACLE SEALED ASSEMBLY BOM SHEET 1

KEYING OPTION E, BLACK	34900-2123				CHB			E	TOOLED BUT NOT VALIDATED		1	2	3
KEYING OPTION C, BLACK	34900-2122				CHB			C	TOOLED BUT NOT VALIDATED		1	2	3
KEYING OPTION B, BLACK	34900-2121				CHB	A			SALEABLE		1	2	3
KEYING OPTION A, BLACK	34900-2120				CHB	A			SALEABLE		1	2	3
KEYING OPTION E, YELLOW	34900-2104				CHY			E	TOOLED BUT NOT VALIDATED		1	2	3
KEYING OPTION C, YELLOW	34900-2103				CHY			C	TOOLED BUT NOT VALIDATED		1	2	3
KEYING OPTION B, YELLOW	34900-2102				CHY		B		SALEABLE		1	2	3
KEYING OPTION A, YELLOW	34900-2101				CHY		A		SALEABLE		1	2	3
KEYING OPTION E, BLACK	34900-2023			CHB				E	OBSOLETE		1	2	3
KEYING OPTION C, BLACK	34900-2022			CHB				C	OBSOLETE		1	2	3
KEYING OPTION B, BLACK	34900-2021			CHB			B		OBSOLETE		1	2	3
KEYING OPTION A, BLACK	34900-2020			CHB			A		OBSOLETE		1	2	3
KEYING OPTION E, YELLOW	34900-2004	CHY						E	OBSOLETE		1	2	3
KEYING OPTION C, YELLOW	34900-2003	CHY						C	OBSOLETE		1	2	3
KEYING OPTION B, YELLOW	34900-2002	CHY					B		SALEABLE		1	2	3
KEYING OPTION A, YELLOW	34900-2001	CHY					A		SALEABLE		1	2	3
ASSEMBLY DESCRIPTION	ASSEMBLY PART NUMBER						A B C E		STATUS	COMMENTS		DESIGNED TO MATE WITH DEVICE CONNECTION	

RING SEAL	BURNT RED	INHERENTLY LUBRICATED SILICONE	
ISL	NATURAL	SPS/NYLON GF20	
CPA	RED	PBT GF30	
TERMINAL HOUSING KEYING OPTION E	STONE GRAY	SPS/NYLON GF20	
TERMINAL HOUSING KEYING OPTION C	DARK GRAY	SPS/NYLON GF20	
TERMINAL HOUSING KEYING OPTION B	LT. GRAY	SPS/NYLON GF20	
TERMINAL HOUSING KEYING OPTION A	BLACK	SPS/NYLON GF20	
CONNECTOR HOUSING	BLACK	SPS/NYLON GF20	UPDATED LATCH
CONNECTOR HOUSING	YELLOW	SPS/NYLON GF20	UPDATED LATCH
CONNECTOR HOUSING	BLACK	SPS/NYLON GF20	
CONNECTOR HOUSING	YELLOW	SPS/NYLON GF20	
DESCRIPTION	COLOR	MATERIAL	COMMENTS

ABBREVIATION	COMPONENT
CHY	CONNECTOR HOUSING YELLOW
CHB	CONNECTOR HOUSING BLACK
A	TERMINAL HOUSING KEY A
B	TERMINAL HOUSING KEY B
C	TERMINAL HOUSING KEY C
E	TERMINAL HOUSING KEY E
CPA	CPA
ISL	ISL
R	RING SEAL
1	USCAR INTERFACE 120-S-002-1-Z01 SEE NOTE 1 FOR WEBSITE
2	MOLEX INLINE BLADE CONNECTOR E-34899-2001
3	USCAR INTERFACE 120-S-002-1-Z02 SEE NOTE 1 FOR WEBSITE

ENTER DESCRIPTION IEC NO: UAU2015-1604 DRAWN BY: SHINANOI 2015/04/24 CHKD: CHYD APPR: IKOSHY 2015/04/29 REV: A9	QUALITY SYMBOLS ∇=0 ∇=0 ∇=0	GENERAL TOLERANCES (UNLESS SPECIFIED)		DIMENSION STYLE MM ONLY	SCALE 2:1	DESIGN UNITS METRIC	THIRD ANGLE PROJECTION		
		4 PLACES ± 0.10 3 PLACES ± 0.15 2 PLACES ± 0.20 1 PLACE ± 0.25 0 PLACE ± 0.50	mm INCH	DRAWN BY MYANSLAMBROU	DATE 2012/02/15	CHECKED BY DATE	TITLE 1.2MM 1X2. 1X3 RECPT. SEALED ASSEMBLY CABLE SEAL		
		ANGULAR ± 3 ° DRAFT WHERE APPLICABLE MUST REMAIN WITHIN DIMENSIONS		APPROVED BY GGA	DATE 2012/12/13	MATERIAL NO. SEE BOM		DOCUMENT NO. SD-34900-2001	SHEET NO. 5 OF 6
		THIS DRAWING CONTAINS INFORMATION THAT IS PROPRIETARY TO MOLEX INCORPORATED AND SHOULD NOT BE USED WITHOUT WRITTEN PERMISSION							

1X3 RECEPTACLE SEALED ASSEMBLY BOM SHEET 1

KEYING OPTION D, STONE GRAY	34900-3123				CHB			D	TOOLED BUT NOT VALIDATED		1	2	3
KEYING OPTION C, DARK GRAY	34900-3122				CHB			C	TOOLED BUT NOT VALIDATED		1	2	3
KEYING OPTION B, LIGHT GRAY	34900-3121				CHB		B		SALEABLE		1	2	3
KEYING OPTION A, BLACK	34900-3120				CHB		A		SALEABLE		1	2	3
KEYING OPTION D, YELLOW	34900-3104				CHY			D	TOOLED BUT NOT VALIDATED		1	2	3
KEYING OPTION C, YELLOW	34900-3103				CHY			C	TOOLED BUT NOT VALIDATED		1	2	3
KEYING OPTION B, YELLOW	34900-3102				CHY		B		SALEABLE		1	2	3
KEYING OPTION A, YELLOW	34900-3101				CHY		A		SALEABLE		1	2	3
KEYING OPTION D, STONE GRAY	34900-3023				CHB			D	OBSOLETE		1	2	3
KEYING OPTION C, DARK GRAY	34900-3022				CHB			C	OBSOLETE		1	2	3
KEYING OPTION B, LIGHT GRAY	34900-3021				CHB		B		OBSOLETE		1	2	3
KEYING OPTION A, BLACK	34900-3020				CHB		A		OBSOLETE		1	2	3
KEYING OPTION D, YELLOW	34900-3004				CHY			D	OBSOLETE		1	2	3
KEYING OPTION C, YELLOW	34900-3003				CHY			C	OBSOLETE		1	2	3
KEYING OPTION B, YELLOW	34900-3002				CHY		B		OBSOLETE		1	2	3
KEYING OPTION A, YELLOW	34900-3001				CHY		A		OBSOLETE		1	2	3
ASSEMBLY DESCRIPTION	ASSEMBLY PART NUMBER						A B C D		STATUS	COMMENTS	DESIGNED TO MATE WITH DEVICE CONNECTION		

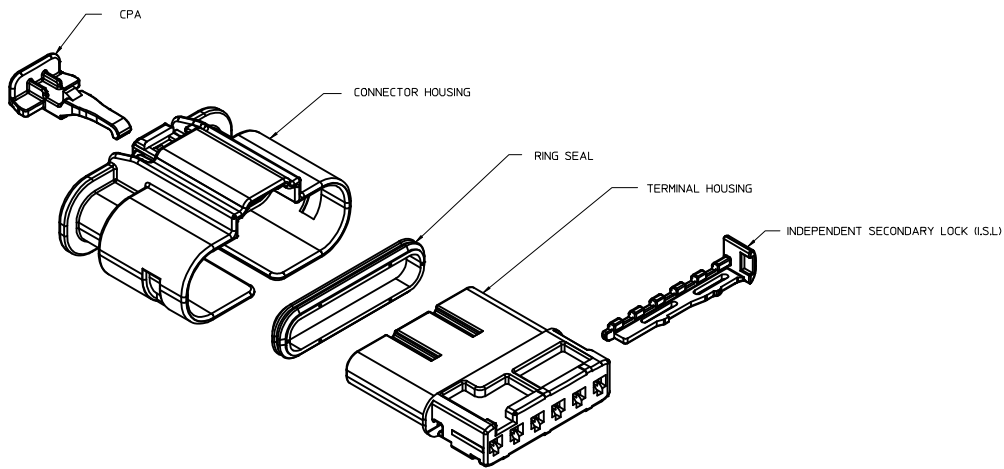
DESCRIPTION	COLOR	MATERIAL	COMMENTS
RING SEAL	LIGHT BLUE	INHERENTLY LUBRICATED SILICONE	
ISL	NATURAL	SPS/NYLON GF20	
CPA	RED	PBT GF30	
TERMINAL HOUSING KEYING OPTION D	STONE GRAY	SPS/NYLON GF20	
TERMINAL HOUSING KEYING OPTION C	DARK GRAY	SPS/NYLON GF20	
TERMINAL HOUSING KEYING OPTION B	LT. GRAY	SPS/NYLON GF20	
TERMINAL HOUSING KEYING OPTION A	BLACK	SPS/NYLON GF20	
CONNECTOR HOUSING	BLACK	SPS/NYLON GF20	UPDATED LATCH
CONNECTOR HOUSING	YELLOW	SPS/NYLON GF20	UPDATED LATCH
CONNECTOR HOUSING	BLACK	SPS/NYLON GF20	
CONNECTOR HOUSING	YELLOW	SPS/NYLON GF20	

ABREVIATION	COMPONENT
CHY	CONNECTOR HOUSING YELLOW
CHB	CONNECTOR HOUSING BLACK
A	TERMINAL HOUSING KEY A
B	TERMINAL HOUSING KEY B
C	TERMINAL HOUSING KEY C
D	TERMINAL HOUSING KEY D
CPA	CPA
ISL	ISL
R	RING SEAL
1	USCAR INTERFACE 120-S-003-1-Z01 SEE NOTE 1f FOR WEBSITE
2	MOLEX INLINE BLADE CONNECTOR E-34899-2001
3	USCAR INTERFACE 120-S-003-1-Z02 SEE NOTE 1f FOR WEBSITE

ENTER DESCRIPTION IEC NO. UAU2015-1604 DRAWN BY SHANU1 2015/01/24 CHKD: APPR:VKOSH REV: 2015/01/29	QUALITY SYMBOLS	GENERAL TOLERANCES (UNLESS SPECIFIED)	DIMENSION STYLE	SCALE	DESIGN UNITS	THIRD ANGLE PROJECTION
	▽=0	4 PLACES ± mm	MM ONLY	5:1	METRIC	☉
	▽=0	3 PLACES ± 0.10				
	▽=0	2 PLACES ± 0.20				
	0 PLACE ± 0.50					
	ANGULAR ± 3°					
	DRAFT WHERE APPLICABLE MUST REMAIN WITHIN DIMENSIONS					
			DRAWN BY DATE			
			MYANSLAMBROU 2012/02/15			
			CHECKED BY DATE			
			APPROVED BY DATE			
			GGA 2012/12/13			
			MATERIAL NO.			
			SEE BOM			
			DOCUMENT NO.			
			SD-34900-2001			
			SHEET NO.			
			6 OF 6			
			THIS DRAWING CONTAINS INFORMATION THAT IS PROPRIETARY TO MOLEX INCORPORATED AND SHOULD NOT BE USED WITHOUT WRITTEN PERMISSION			

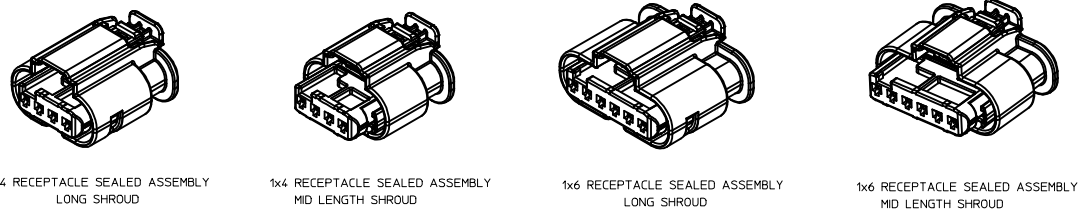
TABLE OF CONTENTS

SHEET NO.	SHEET DESCRIPTION
1	NOTES
2	1x4 RECEPTACLE SEALED ASSEMBLY KEYING CONFIGURATIONS
3	1x6 RECEPTACLE SEALED ASSEMBLY KEYING CONFIGURATIONS
4	RECEPTACLE SEALED ASSEMBLY
5	1x4 RECEPTACLE SEALED ASSEMBLY BOM SHEET
6	1x6 RECEPTACLE SEALED ASSEMBLY BOM SHEET



NOTES: VALID UNLESS OTHERWISE SPECIFIED

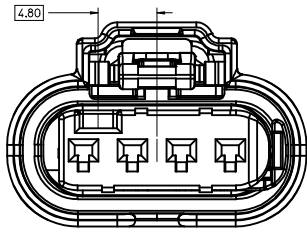
1. GENERAL:
 - a. APPLICATION SPECIFICATION SEE: AS-34900-0001
CONTAINS: PRODUCT INTRODUCTION, PRODUCT SUMMARY, CONNECTOR ASSEMBLY, PACKAGING INFORMATION, CONNECTOR MATING, SERVICE INSTRUCTIONS, ELECTRICAL CONTINUITY CHECKING, CRIMPING, AND TROUBLESHOOTING.
 - b. PRODUCT SPECIFICATION SEE: PS-34900-0001
CONTAINS: PRODUCT INTRODUCTION, PRODUCT SUMMARY, APPROVED TERMINALS, SINGLE WIRE SEALS, RATINGS (CURRENT, TEMPERATURE, SEALING, AND FLAMMABILITY), AND PRODUCT VALIDATION.
 - c. PACKAGING SPECIFICATION PER MOLEX DRAWING: PK-31301-898
 - d. PARTS MUST BE IN COMPLIANCE TO MOLEX CHEMICAL SUBSTANCES FOR PRODUCTS AND PACKAGING SPECIFICATION ES-40000-5016
 - e. DATA MUST BE SUBMITTED UNDER THE MOLEX PART NUMBER TO IMDS (COMPANY ID#13235)
 - f. DESIGNED TO MATE WITH DEVICE CONNECTION AS SPECIFIED IN BOM CHART USCAR INTERFACE DRAWINGS AND MODELS ARE AVAILABLE AT <http://ewcap.uscarteams.org/>.
2. DESIGN - MATERIALS:
 - a. SEE BOM TABLE
3. DESIGN - GEOMETRY:
 - a. THIS IS A 100% CAD GENERATED PART. THE CAD MATHEMATICAL DATA IS THE MASTER FOR THIS PART. FOR DIMENSIONAL OR ANY INFORMATION NOT SHOWN ON THIS DRAWING, ANALYZE THE CAD MODEL.
 - b. GEOMETRIC DIMENSIONS AND TOLERANCES PER ASME Y14.5M - 1994
 - c. EDGES AND UNDIMENSIONED DETAILS PER ISO13715
 - d. CORNERS SHOWN AS SHARP TO BE R 0.2 MAX
 - e. LETTERING SHALL BE 0.15 MAX RAISED IN 0.25 MAX RECESS PAD. THIS INCLUDES RECYCLING CODE, CAVITY ID, VENDOR IDENTIFICATION, AND CUSTOMER MATERIAL NUMBER.
 - f. VISUAL DEFECTS SHALL MEET COSMETIC STANDARD PS-45499-002 (Class B) CAD MODEL
- g. LASER MARKING:
 1. PART NUMBER
 2. DAY OF THE YEAR
 3. SHIFT
 4. YEAR



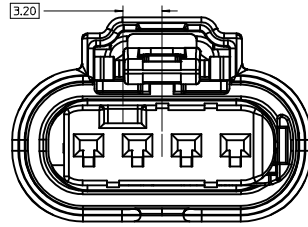
A10	PART #'S WITH NEW LATCH DESIGN SALEABLE
A9	PART #'S WITH NEW LATCH DESIGN SALEABLE
A8	ADDED NEW PART NUMBERS FOR LATCH IMPROVEMENT PARTS
A7	UPDATED 34900-6012 AND 34900-6012 TO SALEBLE
A6	UPDATED SHROUD LENGTH DIMENSION SCHEME
A5	BOM CORRECTIONS AND UPDATES
A4	BOM CORRECTIONS AND UPDATES
A3	NON SIR PART# OK TO TOOL
A2	BOM UPDATES FOR NON-SIR PART #
A1	1X6 MID LENGTH SHROUD OK TO TOOL
A	1X4 INLINE VIEWS ADDED
1	INITIAL RELEASE
REV	DESCRIPTION

ENTER DESCRIPTION ELC NO: UAU2015-1081 DRAWN BY: SHANM01 2015/01/08 CHKD: APPR: WJOSHY 2015/01/15	QUALITY SYMBOLS ∇=0 ∇=0 ∇=0	GENERAL TOLERANCES (UNLESS SPECIFIED)		DIMENSION STYLE MM ONLY		SCALE 3:1	DESIGN UNITS METRIC	THIRD ANGLE PROJECTION	
		4 PLACES ± .005	mm	INCH	DRAWN BY DATE MYANSLAMBROU 2012/05/03				TITLE 12MM 1X4, 1X6 RECPT. SEALED ASSEMBLY CABLE SEAL
		3 PLACES ± .010	mm	INCH	CHECKED BY DATE				
		2 PLACES ± .020	mm	INCH	APPROVED BY DATE GGA 2012/12/13				
1 PLACE ± .050	mm	INCH	MATERIAL NO. SEE TABLE	DOCUMENT NO. SD-34900-6001					
DRAFT WHERE APPLICABLE MUST REMAIN WITHIN DIMENSIONS		ANGULAR ± 3 °		SIZE D THIS DRAWING CONTAINS INFORMATION THAT IS PROPRIETARY TO MOLEX INCORPORATED AND SHOULD NOT BE USED WITHOUT WRITTEN PERMISSION		SHEET NO. 1 OF 6			
A10									

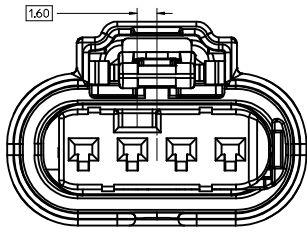
1x4 RECEPTACLE SEALED ASSEMBLY KEYING CONFIGURATIONS. FOR PART NUMBERS REFER TO BOM SHEET.



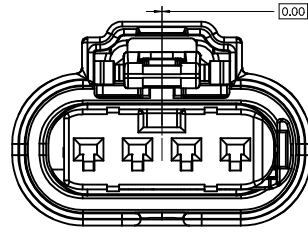
KEYING OPTION A



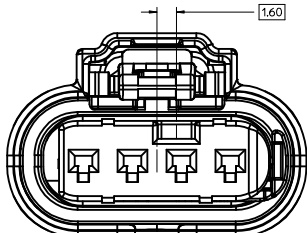
KEYING OPTION E



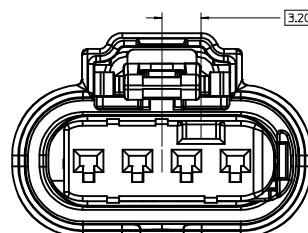
KEYING OPTION B



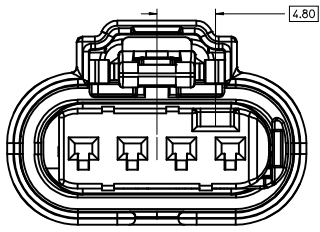
KEYING OPTION F



KEYING OPTION C



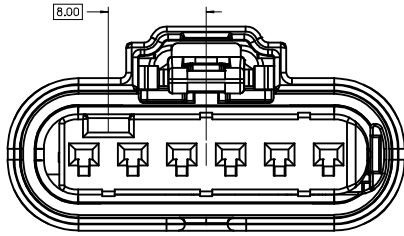
KEYING OPTION G



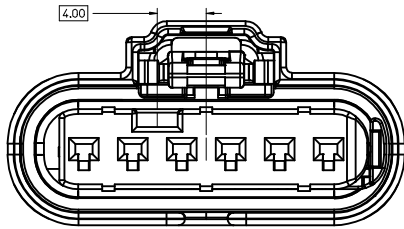
KEYING OPTION D

ENTER DESCRIPTION ELEC NO: UAU2015-1081 DRAWN BY: SHANMUGI CHKD: APPR: VIOSHY DATE: 2015/01/15 REV: A10	QUALITY SYMBOLS	GENERAL TOLERANCES (UNLESS SPECIFIED)	DIMENSION STYLE	SCALE	DESIGN UNITS	THIRD ANGLE PROJECTION	
	▽=0	4 PLACES ± mm ± INCH	MM ONLY	5:1	METRIC	☉	
	▽=0	3 PLACES ± 0.10 ± 0.004					
	▽=0	1 PLACE ± 0.20 ± 0.008					
		0 PLACE ± 0.50 ± 0.020					
		ANGULAR ± 3 °					
		DRAFT WHERE APPLICABLE MUST REMAIN WITHIN DIMENSIONS					
			DRAWN BY: MYANSLAMBROU	DATE: 2012/05/03	TITLE: 12MM 1X4, 1X6 RECPT. SEALED ASSEMBLY CABLE SEAL		
			CHECKED BY:	DATE:			
			APPROVED BY: GGA	DATE: 2012/12/13			
			MATERIAL NO. SEE BOM		DOCUMENT NO. SD-34900-6001	SHEET NO. 2 OF 6	
			THIS DRAWING CONTAINS INFORMATION THAT IS PROPRIETARY TO MOLEX INCORPORATED AND SHOULD NOT BE USED WITHOUT WRITTEN PERMISSION				

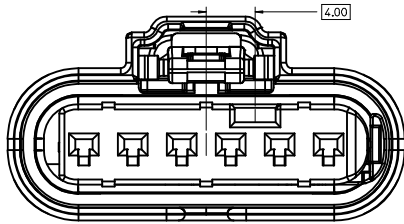
1x6 RECEPTACLE SEALED ASSEMBLY KEYING CONFIGURATIONS. FOR PART NUMBERS REFER TO BOM SHEET.



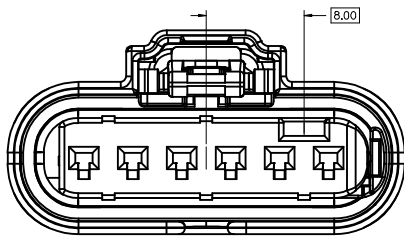
KEYING OPTION A



KEYING OPTION B



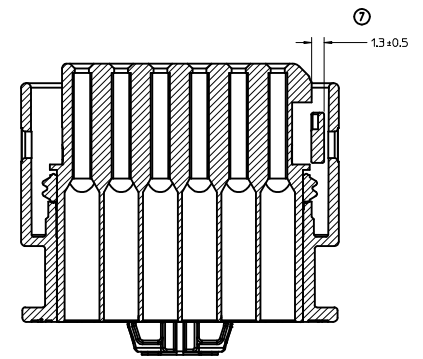
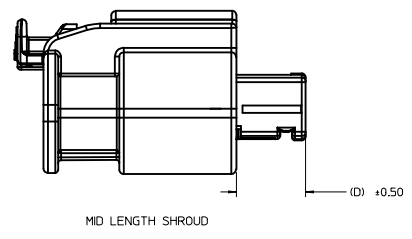
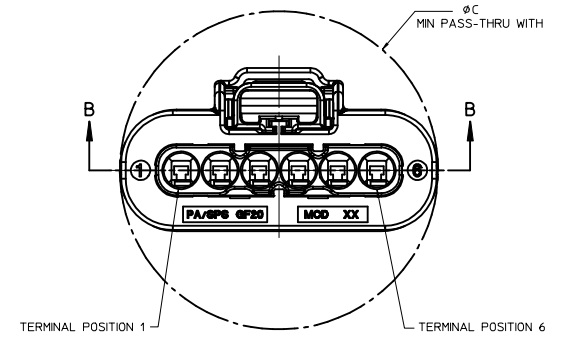
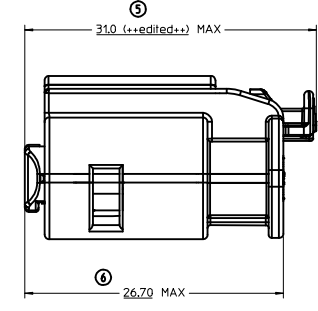
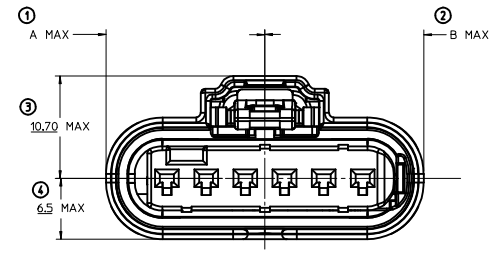
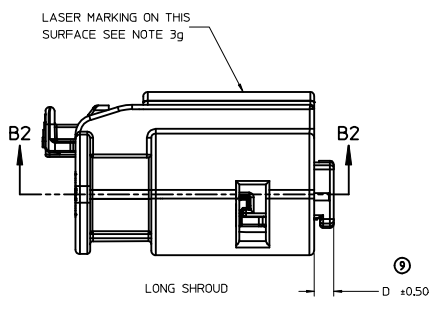
KEYING OPTION C



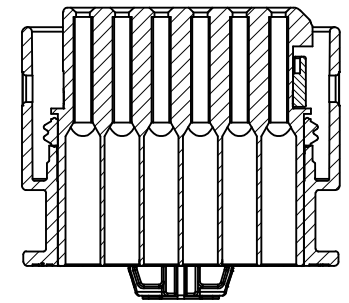
KEYING OPTION D

SEE SHEET 1 ELEC NO: UAU2015-1081 DRAWN BY: SHANU1 2015/01/08 CHYD: APPR: VKOSHY 2015/01/15	QUALITY SYMBOLS	GENERAL TOLERANCES (UNLESS SPECIFIED)	DIMENSION STYLE	SCALE	DESIGN UNITS	THIRD ANGLE PROJECTION
	▽=0 ▽=0 ▽=0	4 PLACES ± --- ± --- 3 PLACES ± --- ± --- 2 PLACES ± 0.10 ± --- 1 PLACE ± 0.20 ± --- 0 PLACE ± 0.50 ± ---	mm INCH ANGULAR ± 3 ° DRAFT WHERE APPLICABLE MUST REMAIN WITHIN DIMENSIONS	MM ONLY DRAWN BY: MYANSLAMBROU DATE: 2012/05/03 CHECKED BY: DATE:	5:1	METRIC
REV: A10			SIZE D			SHEET NO. 3 OF 6 THIS DRAWING CONTAINS INFORMATION THAT IS PROPRIETARY TO MOLEX INCORPORATED AND SHOULD NOT BE USED WITHOUT WRITTEN PERMISSION

RECEPTACLE SEALED ASSEMBLY



SECTION B-B
INDEPENDENT SECONDARY LOCK (ISL)
SHOWN IN THE PRE-STAGED POSITION



SECTION B2-B2
INDEPENDENT SECONDARY LOCK (ISL)
SHOWN IN THE FINAL-LOCK POSITION

DESCRIPTION	A	B	C	D
1x6 MID LENGTH SHROUD	16.5	16.5	33.0	6.70
1x4 MID LENGTH SHROUD	16.5	16.5	25.0	6.70
1x6 LONG SHROUD	16.5	16.5	33.0	2.00
1x4 LONG SHROUD	12.5	12.5	25.0	2.00
DESCRIPTION	A	B	C	D

CHARTED DIMENSIONS

ENTER DESCRIPTION ELEC NO: UAU2015-1081 DRAWN BY: SHINANI CHKD: APPR: IKOSHI REV: 2015/01/15 A10	QUALITY SYMBOLS ∇=0 ∇=0 ∇=0	GENERAL TOLERANCES (UNLESS SPECIFIED) mm INCH 4 PLACES ± --- ± --- 3 PLACES ± 0.10 ± --- 2 PLACES ± 0.20 ± --- 0 PLACE ± 0.50 ± --- ANGULAR ± 3 ° DRAFT WHERE APPLICABLE MUST REMAIN WITHIN DIMENSIONS	DIMENSION STYLE MM ONLY SCALE 4:1 DESIGN UNITS METRIC THIRD ANGLE PROJECTION	DRAWN BY DATE MYANSLAMBROU 2012/05/03 CHECKED BY DATE APPROVED BY DATE GGA 2012/12/13	TITLE 12MM 1X4, 1X6 RECPT. SEALED ASSEMBLY CABLE SEAL molex DOCUMENT NO. SD-34900-6001 SHEET NO. 4 OF 6
	MATERIAL NO. SEE BOM				
	THIS DRAWING CONTAINS INFORMATION THAT IS PROPRIETARY TO MOLEX INCORPORATED AND SHOULD NOT BE USED WITHOUT WRITTEN PERMISSION				
	SIZE D				

1x4 RECEPTACLE SEALED ASSEMBLY BOM SHEET 1

KEY OPTION	CONNECTOR HOUSING COLOR	TERMINAL HOUSING COLOR	OUTER HOUSING SHROUD LENGTH	ASSEMBLY PART NUMBER	CHMB	A	B	C	D	E	F	G	PRODUCTION TOOL STATUS	COMMENTS
KEY OPTION G	BLACK	LIGHT GRAY	MID LENGTH	34900-4136									CONCEPT	1 2
KEY OPTION F	BLACK	BLACK	MID LENGTH	34900-4135									CONCEPT	1 2
KEY OPTION E	BLACK	DARK GRAY	MID LENGTH	34900-4134									CONCEPT	1 2
KEY OPTION D	BLACK	LIGHT GRAY	MID LENGTH	34900-4133									CONCEPT	1 2
KEY OPTION C	BLACK	DARK GRAY	MID LENGTH	34900-4132									CONCEPT	1 2
KEY OPTION B	BLACK	STONE GRAY	MID LENGTH	34900-4131									CONCEPT	1 2
KEY OPTION A	BLACK	BLACK	MID LENGTH	34900-4130									CONCEPT	1 2
KEY OPTION G	BLACK	LIGHT GRAY	LONG	34900-4126									TOOLED BUT NOT VALIDATED	1 2
KEY OPTION F	BLACK	BLACK	LONG	34900-4125									TOOLED BUT NOT VALIDATED	1 2
KEY OPTION E	BLACK	DARK GRAY	LONG	34900-4124									TOOLED BUT NOT VALIDATED	1 2
KEY OPTION D	BLACK	LIGHT GRAY	LONG	34900-4123									TOOLED BUT NOT VALIDATED	1 2
KEY OPTION C	BLACK	DARK GRAY	LONG	34900-4122									TOOLED BUT NOT VALIDATED	1 2
KEY OPTION B	BLACK	STONE GRAY	LONG	34900-4121									TOOLED BUT NOT VALIDATED	1 2
KEY OPTION A	BLACK	BLACK	LONG	34900-4120									TOOLED BUT NOT VALIDATED	1 2
KEY OPTION G	YELLOW	LIGHT GRAY	LONG	34900-4116									SALEABLE	1 2
KEY OPTION F	YELLOW	BLACK	LONG	34900-4115									SALEABLE	1 2
KEY OPTION E	YELLOW	DARK GRAY	LONG	34900-4114									TOOLED BUT NOT VALIDATED	1 2
KEY OPTION D	YELLOW	LIGHT GRAY	LONG	34900-4113									TOOLED BUT NOT VALIDATED	1 2
KEY OPTION C	YELLOW	DARK GRAY	LONG	34900-4112									TOOLED BUT NOT VALIDATED	1 2
KEY OPTION B	YELLOW	STONE GRAY	LONG	34900-4111									TOOLED BUT NOT VALIDATED	1 2
KEY OPTION A	YELLOW	BLACK	LONG	34900-4110									TOOLED BUT NOT VALIDATED	1 2
KEY OPTION G	BLACK	LIGHT GRAY	LONG	34900-4026									OBSOLETE	1 2
KEY OPTION F	BLACK	BLACK	LONG	34900-4025									OBSOLETE	1 2
KEY OPTION E	BLACK	DARK GRAY	LONG	34900-4024									OBSOLETE	1 2
KEY OPTION D	BLACK	LIGHT GRAY	LONG	34900-4023									OBSOLETE	1 2
KEY OPTION C	BLACK	DARK GRAY	LONG	34900-4022									OBSOLETE	1 2
KEY OPTION B	BLACK	STONE GRAY	LONG	34900-4021									OBSOLETE	1 2
KEY OPTION A	BLACK	BLACK	LONG	34900-4020									OBSOLETE	1 2
KEY OPTION G	YELLOW	LIGHT GRAY	LONG	34900-4016									OBSOLETE	1 2
KEY OPTION F	YELLOW	BLACK	LONG	34900-4015									OBSOLETE	1 2
KEY OPTION E	YELLOW	DARK GRAY	LONG	34900-4014									OBSOLETE	1 2
KEY OPTION D	YELLOW	LIGHT GRAY	LONG	34900-4013									OBSOLETE	1 2
KEY OPTION C	YELLOW	DARK GRAY	LONG	34900-4012									OBSOLETE	1 2
KEY OPTION B	YELLOW	STONE GRAY	LONG	34900-4011									OBSOLETE	1 2
KEY OPTION A	YELLOW	BLACK	LONG	34900-4010									OBSOLETE	1 2
ASSEMBLY DESCRIPTION	CONNECTOR HOUSING COLOR	TERMINAL HOUSING COLOR	OUTER HOUSING SHROUD LENGTH	ASSEMBLY PART NUMBER									PRODUCTION TOOL STATUS	COMMENTS

ABREVIATION	COMPONENT
CHY	CONNECTOR HOUSING YELLOW
CHB	CONNECTOR HOUSING BLACK
CHBM	CONNECTOR HOUSING BLACK MID SHROUD
A	TERMINAL HOUSING KEY A
B	TERMINAL HOUSING KEY B
C	TERMINAL HOUSING KEY C
D	TERMINAL HOUSING KEY D
E	TERMINAL HOUSING KEY E
F	TERMINAL HOUSING KEY F
G	TERMINAL HOUSING KEY G
CPA	CPA
ISL	ISL
RING SEAL	RING SEAL
1	USCAR INTERFACE 120-S-004-1-202 SEE NOTE 1f FOR WEBSITE
2	MOLEX INLINE BLADE CONNECTOR SD-34899-6001

DESCRIPTION	COLOR	MATERIAL	COMMENTS
RING SEAL	LIGHT BLUE	INHERENTLY LUBRICATED SILICONE	
ISL	NATURAL	SPS/NYLON GF20	
CPA	RED	PBT GF30	
TERMINAL HOUSING KEYING OPTION G	LIGHT GRAY	SPS/NYLON GF20	
TERMINAL HOUSING KEYING OPTION F	BLACK	SPS/NYLON GF20	
TERMINAL HOUSING KEYING OPTION E	DARK GRAY	SPS/NYLON GF20	
TERMINAL HOUSING KEYING OPTION D	LIGHT GRAY	SPS/NYLON GF20	
TERMINAL HOUSING KEYING OPTION C	DARK GRAY	SPS/NYLON GF20	
TERMINAL HOUSING KEYING OPTION B	STONE GRAY	SPS/NYLON GF20	
TERMINAL HOUSING KEYING OPTION A	BLACK	SPS/NYLON GF20	
MID LENGTH CONNECTOR HOUSING	BLACK	SPS/NYLON GF20	
CONNECTOR HOUSING	BLACK	SPS/NYLON GF20	UPDATED LATCH
CONNECTOR HOUSING	YELLOW	SPS/NYLON GF20	UPDATED LATCH
CONNECTOR HOUSING	BLACK	SPS/NYLON GF20	
CONNECTOR HOUSING	YELLOW	SPS/NYLON GF20	

ENTER DESCRIPTION ELEC NO: UAU2015-1081 DRAWN BY: SHANANI 2015/01/08 CHKC: APPR: VKOSHY 2015/01/15 REV	QUALITY SYMBOLS ∇=0 ∇=0 ∇=0	GENERAL TOLERANCES (UNLESS SPECIFIED) mm INCH 4 PLACES ± --- ± --- 3 PLACES ± --- ± --- 2 PLACES ± 0.10 ± --- 1 PLACE ± 0.20 ± --- 0 PLACE ± 0.50 ± --- ANGULAR ± 3 ° DRAFT WHERE APPLICABLE MUST REMAIN WITHIN DIMENSIONS	DIMENSION STYLE MM ONLY DRAWN BY: DATE MYANSLAMBROU 2012/05/03 CHECKED BY: DATE	SCALE 5:1 DESIGN UNITS METRIC THIRD ANGLE PROJECTION	TITLE 12MM 1X4, 1X6 RECP. SEALED ASSEMBLY CABLE SEAL APPROVED BY: DATE GGA 2012/12/13 MATERIAL NO. SEE BOM DOCUMENT NO. SD-34900-6001 SHEET NO. 5 OF 6
	molex				
	THIS DRAWING CONTAINS INFORMATION THAT IS PROPRIETARY TO MOLEX INCORPORATED AND SHOULD NOT BE USED WITHOUT WRITTEN PERMISSION				

1x6 RECEPTACLE SEALED ASSEMBLY BOM SHEET 1

KEY OPTION	CONNECTOR HOUSING COLOR	TERMINAL CAVITY COLOR	OUTER HOUSING SHROUD LENGTH	ASSEMBLY PART NUMBER	CHLB	CHLY	A	B	C	D	PRODUCTION TOOL STATUS	COMMENTS	DESIGNED TO MATE WITH DEVICE CONNECTION
KEY OPTION D	BLACK	STONE GRAY	MID LENGTH	34900-6190							SALEABLE		3
KEY OPTION C	BLACK	DARK GRAY	MID LENGTH	34900-6121							SALEABLE		3
KEY OPTION B	BLACK	LIGHT GRAY	MID LENGTH	34900-6128							SALEABLE		3
KEY OPTION A	BLACK	BLACK	MID LENGTH	34900-6119							SALEABLE		3
KEY OPTION D	BLACK	STONE GARY	LONG	34900-6143	CHLB						TOOLED BUT NOT VALIDATED	1 2	
KEY OPTION C	BLACK	DARK GRAY	LONG	34900-6142	CHLB						TOOLED BUT NOT VALIDATED	1 2	
KEY OPTION B	BLACK	LIGHT GRAY	LONG	34900-6141	CHLB						TOOLED BUT NOT VALIDATED	1 2	
KEY OPTION A	BLACK	BLACK	LONG	34900-6140	CHLB	A					TOOLED BUT NOT VALIDATED	1 2	
KEY OPTION D	YELLOW	STONE GRAY	LONG	34900-6113	CHLY						SALEABLE	1 2	
KEY OPTION C	YELLOW	DARK GRAY	LONG	34900-6112	CHLY						SALEABLE	1 2	
KEY OPTION B	YELLOW	LIGHT GRAY	LONG	34900-6111	CHLY						SALEABLE	1 2	
KEY OPTION A	YELLOW	BLACK	LONG	34900-6110	CHLY	A					SALEABLE	1 2	
KEY OPTION D	BLACK	STONE GRAY	MID LENGTH	34900-6030	CHMB						OBSOLETE		3
KEY OPTION C	BLACK	DARK GRAY	MID LENGTH	34900-6021	CHMB						OBSOLETE		3
KEY OPTION B	BLACK	LIGHT GRAY	MID LENGTH	34900-6028	CHMB						OBSOLETE		3
KEY OPTION A	BLACK	BLACK	MID LENGTH	34900-6019	CHMB	A					OBSOLETE		3
KEY OPTION D	BLACK	STONE GARY	LONG	34900-6043	CHLB						OBSOLETE	1 2	
KEY OPTION C	BLACK	DARK GRAY	LONG	34900-6042	CHLB						OBSOLETE	1 2	
KEY OPTION B	BLACK	LIGHT GRAY	LONG	34900-6041	CHLB						OBSOLETE	1 2	
KEY OPTION A	BLACK	BLACK	LONG	34900-6040	CHLB	A					OBSOLETE	1 2	
KEY OPTION D	YELLOW	STONE GRAY	LONG	34900-6013	CHLY						OBSOLETE	1 2	
KEY OPTION C	YELLOW	DARK GRAY	LONG	34900-6012	CHLY						OBSOLETE	1 2	
KEY OPTION B	YELLOW	LIGHT GRAY	LONG	34900-6011	CHLY						OBSOLETE	1 2	
KEY OPTION A	YELLOW	BLACK	LONG	34900-6010	CHLY	A					OBSOLETE	1 2	
ASSEMBLY DESCRIPTION	CONNECTOR HOUSING COLOR	TERMINAL CAVITY COLOR	OUTER HOUSING SHROUD LENGTH	ASSEMBLY PART NUMBER			A	B	C	D	PRODUCTION TOOL STATUS	COMMENTS	DESIGNED TO MATE WITH DEVICE CONNECTION

LEGEND TABLE	
ABBREVIATION	COMPONENT
CHLY	CONNECTOR HOUSING LONG YELLOW
CHLB	CONNECTOR HOUSING LONG BLACK
CHMB	CONNECTOR HOUSING MEDIUM BLACK
A	TERMINAL HOUSING KEY A
B	TERMINAL HOUSING KEY B
C	TERMINAL HOUSING KEY C
D	TERMINAL HOUSING KEY D
CPA	CPA
ISL	ISL
RING SEAL	RING SEAL
1	USCAR INTERFACE 120-S-006-1-Z02 SEE NOTE 1f FOR WEBSITE
2	MOLEX INLINE BLADE CONNECTOR SD-34899-6001
3	USCAR INTERFACE 120-S-006-1-Z04 SEE NOTE 1f FOR WEBSITE

RING SEAL	BURNT RED	INHERENTLY LUBRICATED SILICONE	
ISL	NATURAL	SPS/NYLON GF20	
CPA	RED	PBT GF30	
TERMINAL HOUSING KEYING OPTION D	STONE GRAY	SPS/NYLON GF20	
TERMINAL HOUSING KEYING OPTION C	DARK GRAY	SPS/NYLON GF20	
TERMINAL HOUSING KEYING OPTION B	LIGHT GRAY	SPS/NYLON GF20	
TERMINAL HOUSING KEYING OPTION A	BLACK	SPS/NYLON GF20	
CONNECTOR HOUSING MID LENGTH	BLACK	SPS/NYLON GF20	UPDATED LATCH
CONNECTOR HOUSING LONG	BLACK	SPS/NYLON GF20	UPDATED LATCH
CONNECTOR HOUSING LONG	YELLOW	SPS/NYLON GF20	UPDATED LATCH
CONNECTOR HOUSING MID LENGTH	BLACK	SPS/NYLON GF20	
CONNECTOR HOUSING LONG	BLACK	SPS/NYLON GF20	
CONNECTOR HOUSING LONG	YELLOW	SPS/NYLON GF20	

DESCRIPTION	COLOR	MATERIAL	COMMENTS
BOM/APPLICABLE COMPONENTS TABLE			

ENTER DESCRIPTION ELEC NO: UAU2015-1081 DRAWN/KARI SHINANOI 2015/01/08 CHKD: APPR: IKOSHIY 2015/01/15 REV: A10	QUALITY SYMBOLS ▽=0 ▽=0 ▽=0	GENERAL TOLERANCES (UNLESS SPECIFIED) 4 PLACES ±0.10 3 PLACES ±0.15 2 PLACES ±0.20 1 PLACE ±0.25 0 PLACE ±0.50 ANGULAR ±3° DRAFT WHERE APPLICABLE MUST REMAIN WITHIN DIMENSIONS	DIMENSION STYLE MM ONLY DRAWN BY DATE MYANSI LAMBROU 2012/05/03 CHECKED BY DATE GGA 2012/12/13 APPROVED BY DATE GGA 2012/12/13 MATERIAL NO. SEE TABLE DOCUMENT NO. SD-34900-6001	SCALE 2:1 DESIGN UNITS METRIC THIRD ANGLE PROJECTION	TITLE 1.2MM 1X4, 1X6 RECEPTACLE SEALED ASSEMBLY CABLE SEAL molex SHEET NO. 6 OF 6
	THIS DRAWING CONTAINS INFORMATION THAT IS PROPRIETARY TO MOLEX INCORPORATED AND SHOULD NOT BE USED WITHOUT WRITTEN PERMISSION				